

BRABUS *SHADOW* **500**



OWNER'S MANUAL

BRABUS SHADOW 500

BRABUS
MARINE

MODEL YEAR 2021-2022

Table of Contents

1 Introduction.....	5
1.1 Purpose of this manual.....	5
1.2 Safety symbols.....	5
1.3 Document conventions.....	6
1.4 Copyright.....	6
1.5 Disclaimer	6
1.6 Warranty.....	7
2 Safety.....	8
2.1 Safety diagram.....	9
2.2 Fire protection and control.....	9
2.2.1 Fire control equipment.....	10
2.2.2 Boat owners' and users' responsibilities.....	10
2.2.3 Checklist: Fire in the engine.....	11
2.2.4 Checklist: After fire.....	11
2.3 Carbon monoxide.....	11
2.4 Carbon monoxide monitor.....	12
2.5 Smoke alarm.....	13
2.6 Life raft.....	13
3 Product overview.....	15
3.1 Purpose of use.....	15
3.2 Identification.....	15
3.3 Builder's plate.....	15
3.4 CE certification.....	16
3.5 Dimensions and weight	16
3.6 Boat layout	18
4 Product description.....	20
4.1 Stability and buoyancy.....	20
4.1.1 Self-draining systems.....	20
4.1.2 Openings in the hull and deck.....	21
4.1.3 Bilge system.....	23
4.1.3.1 Bilge pumps and outlets.....	24
4.2 Technical systems.....	27
4.2.1 Electrical system.....	27
4.2.2 12 V system.....	27
4.2.3 Main switches	28
4.2.4 Direct supply switches.....	29

4.2.5 Fuses.....	29
4.2.6 Heavy duty fuses.....	30
4.2.7 Batteries.....	31
4.2.7.1 Charging the batteries.....	31
4.2.7.2 Winter storage	32
4.2.7.3 Cleaning the batteries	32
4.2.8 110/230 V system.....	32
4.2.9 Fuel system.....	33
4.2.9.1 Refueling the boat.....	34
4.2.9.2 Maintaining the fuel system.....	35
4.2.10 Navigation system.....	35
4.2.10.1 VHF equipment.....	35
4.2.11 Fresh water system.....	36
4.2.12 Septic system.....	37
4.2.12.1 Toilet seat.....	38
4.2.12.2 Septic tank.....	39
4.2.13 Bow thruster.....	39
4.3 Optional equipment.....	40
4.3.1 Heating system.....	40
4.3.2 Anchor windlass.....	40
4.3.3 Foldable seats for the aft deck.....	42
4.3.4 Roof racks.....	42
5 Transportation.....	43
5.1 Lifting the boat.....	43
5.2 Transporting and storing the boat.....	44
6 Operation.....	46
6.1 Handling devices.....	46
6.1.1 Steering console.....	46
6.1.2 Steering console switch panel.....	48
6.1.3 Windscreen wipers	49
6.1.4 Steering system.....	49
6.1.4.1 Checking and topping up oil	49
6.1.4.2 Steering maintenance	49
6.1.5 Throttle lever.....	49
6.1.5.1 Trim and tilt.....	50
6.1.6 Starting the engine.....	50
6.2 Swivel seat - Driver and passenger seats.....	50
6.3 Inspecting the boat.....	51
6.3.1 Checklist: Regular inspection before leaving harbor.....	51
6.3.2 Checklist: After using the boat.....	52
6.3.3 Notes for sunny conditions for Black OPS boats.....	52

6.4 Handling the boat.....	53
6.4.1 Checklist: Boat handling before leaving harbor	53
6.4.2 Leaving the jetty	54
6.4.3 Driving the boat.....	54
6.4.3.1 Dead man's switch	54
6.4.3.2 Driving at high speed.....	55
6.4.3.3 Driving in rough seas.....	55
6.4.3.4 Maneuvering in narrow channels.....	56
6.4.4 Visibility from steering position.....	56
6.4.5 Using the trim tabs.....	57
6.5 Preventing falling overboard.....	57
6.6 Anchoring, docking and mooring.....	59
6.6.1 Fastening points.....	59
6.6.2 Docking.....	59
6.6.3 Checklist: Before anchoring	60
6.6.4 Towing and mooring.....	60
7 Maintenance.....	61
7.1 Cleaning and maintaining the gelcoat surface.....	61
7.1.1 Maintenance notes.....	63
7.2 Antifouling.....	64
7.3 Maintaining the interiors.....	64
7.3.1 Wooden interiors.....	64
7.3.2 Plastic and painted surfaces.....	65
7.3.3 Fabrics.....	65
7.3.4 Doors and hatches.....	65
7.4 Maintaining the cover.....	65
7.4.1 Cleaning the cover.....	66
7.5 Protecting underwater metal parts.....	66
7.6 Preventing corrosion.....	66
7.7 Preventing frost damage.....	67
7.8 Checklist: Before winter lay-up.....	67
7.9 Checklist: Before launching.....	67
7.10 Corrective maintenance.....	68
7.10.1 Deposits.....	68
7.10.2 Scratches and nicks.....	68
7.10.3 Stains.....	68
7.10.4 Deep marks, gouges and holes.....	69
8 Environment.....	70
8.1 Requirements for North America.....	70

9 Appendix I: Checklists.....	71
9.1 Checklist: Fire in the engine.....	71
9.2 Checklist: After fire.....	71
9.3 Checklist: Regular inspection before leaving harbor.....	71
9.4 Checklist: After using the boat.....	72
9.5 Checklist: Boat handling before leaving harbor	72
9.6 Checklist: Before anchoring	73
9.7 Checklist: Before winter lay-up.....	73
9.8 Checklist: Before launching.....	74
10 Appendix II: Fuel system.....	75
11 Appendix III: Electrical diagrams.....	76
12 Appendix IV: Warning label placement.....	77
13 Appendix V: AIS Decontamination – North America.....	78

1 Introduction

1.1 Purpose of this manual

This owner's manual contains important information and instructions for using your boat.

In this owner's manual you can find important information that help you handle and maintain your boat. The manual contains detailed information about the boat and the systems installed, and general information about handling and taking care of the boat. The latest version of the manual is available in electronic format at the manufacturer's website.

Read the manual carefully and familiarize yourself with your boat before you start to use it. Also ensure that the anticipated wind and wave conditions correspond to the design category of your boat, and that you and your crew are able to handle the boat in these conditions.



This owner's manual is not a substitute for boating safety skills or good seamanship.

If this is your first boat or if this boat type is new to you, ensure you can handle the boat before you set out for the first time.

For information about local sea schools and approved instructors, please ask your boat dealer, the local boat clubs and national motorboat or yacht federations for advice. They can also provide information on specific local regulations on issues such as a driving licence or authorization, registration, insurance, and safety equipment.

This owner's manual is not a detailed maintenance or troubleshooting guide. If problems occur, contact the boat manufacturer or its local representative. When you are in need of maintenance or repair and alteration work, always turn to competent and trained professionals. Changes that can affect the boat's security features must be assessed, carried out and documented by competent professionals. The boat manufacturer cannot be held responsible for unauthorized modifications. Every change to the boat's center of gravity (from highly mounted heavy equipment or a new engine type etc.) significantly affects the stability, trim and performance of the boat.

Keep this manual in a safe place and pass it on to the new owner if you sell your boat. If the manual is mislaid or destroyed, a copy can be ordered from your dealer or downloaded from the manufacturer's website.

See the purchase agreement or order for the scope of your purchase. In case something does not work satisfactorily with your boat or its equipment, you can check the service documents for possible service and repair measures. If uncertain, always contact your dealer.

1.2 Safety symbols

This owner's manual contains danger, warning, caution and notice statements informing the user or authorized service representatives of any potential harm to the product or person.

Hazard is defined as a source of potential injury to a person.

All abnormal use is forbidden, including disregarding information on safety.

 **DANGER**

Danger indicates an imminently hazardous situation which, if not avoided, **will result in death or serious injury**.

 **WARNING**

Warning indicates a potentially hazardous situation which, if not avoided, **could result in death or serious injury**.

 **CAUTION**

Caution indicates a potentially hazardous situation which, if not avoided, **might result in minor or moderate injury**.

NOTICE

Notice indicates a potential situation which, if not avoided, **might result in property damage or in an undesirable result or state**.



The information icon calls attention to information that clarifies or simplifies a procedure.

1.3 Document conventions

Units

This manual uses SI units in accordance with ISO 1000. In some cases, other units may have been used alongside.

An exception is the wind velocity, which in the Recreational Boat Directive is given in the Beaufort Scale.

Terminology

In this manual, the right side of the hull is referred to as starboard (STB) and the left side as port.

1.4 Copyright

Copyright ©2023 Axopar Boats / BRABUS Marine. All rights reserved.

This Owner's Manual is protected by copyright controlled by Axopar Boats / BRABUS Marine. This manual cannot be wholly or partly reproduced without prior written authorization by Axopar Boats / BRABUS Marine. This material also contains confidential information, which may not be disclosed to others without the prior written consent of Axopar Boats / BRABUS Marine.

1.5 Disclaimer

The material in this manual is for information purposes only.

Axopar Boats / BRABUS Marine reserves the right to change the products without prior notice to improve reliability, function, design or other characteristics of the products. Axopar Boats / BRABUS Marine assumes no liability for any damages, losses, costs or expenses arising out of or relating to the use of this manual or the products described herein.

Axopar Boats / BRABUS Marine makes no representations and warranties with respect to this manual, either express or implied, including, but not limited to, the implied warranties of merchantability and fitness for a particular purpose.

1.6 Warranty

The Limited Warranty for the boat and the relevant contact information are enclosed as a separate document.

For any warranty claims, please contact your BRABUS Marine dealer mentioned on the cover page.

2 Safety

⚠ WARNING

The boat owner is responsible for making sure that the safety equipment on the boat meets the rules and regulations of the local authorities.

- Keep the necessary safety equipment up to date and on the boat at all times.

Check the preferred location of the major safety equipment in the section **Safety diagram**.

⚠ WARNING

Overloading the boat can damage the engine, even when shut off.

- When loading the boat, never exceed the maximum recommended load of the boat shown in the builder's plate.
- Always load the boat carefully and distribute loads appropriately to maintain design trim.
- Avoid placing heavy equipment or material high up in the boat.

The liquids in the built-in tanks are not included in the maximum load shown on the builder's plate.

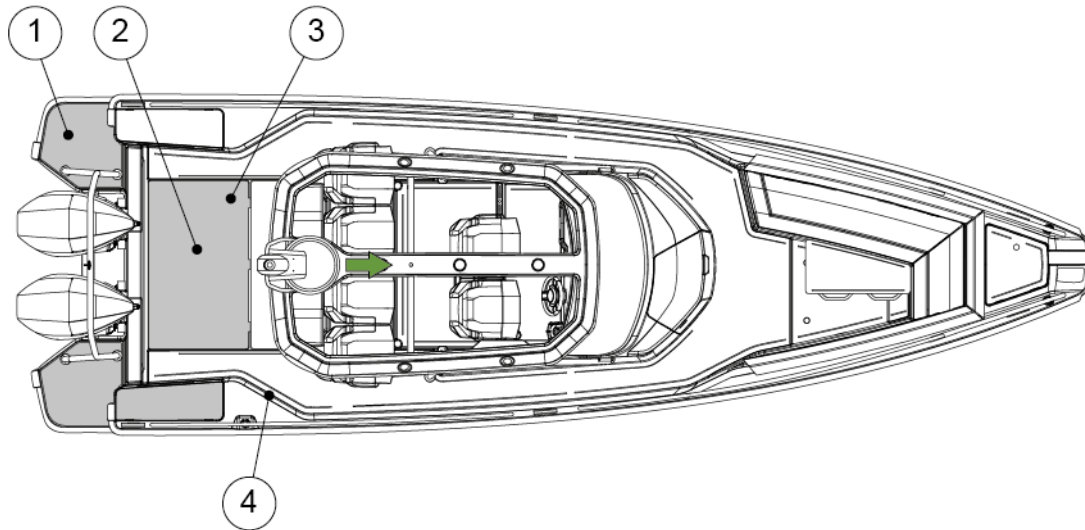
⚠ WARNING

When out on the water, always use the seats intended for the passengers.

Do not exceed the maximum number of persons allowed in the boat, shown in the builder's plate.

The total weight of the persons on board and their personal luggage must never exceed the maximum load of the boat shown in the builder's plate.

2.1 Safety diagram



- (1) Swim ladder
- (2) Life raft storage
- (3) CO monitor (if aft cabin option selected)
- (4) Fire extinguisher
- Exit

2.2 Fire protection and control

The most common fire sources are the engine and the stove. If there is a fire in the boat, it may result in an explosion.

⚠ WARNING

Fire usually spreads very fast — be quick to extinguish the fire with the fire extinguisher on the boat!

See the section **Safety diagram** for the exact location of the fire extinguisher(s).

If the fire starts to get out of control, leave the burning boat to save lives.

⚠ WARNING

Always put down the fire by depriving the fire of oxygen.

Do not use water!

Using water in fire involving flammable liquids can spread the liquid and make the fire worse.

⚠ WARNING

If the fire reaches the fuel containers, an explosion may occur and cause a large area around the boat to burn.

- Keep the bilge clean and check it regularly for fuel and gas fumes or fuel and oil leaks.
- Do not hang curtains or other flammable material near or above any equipment with naked flames.
- Never leave the boat unattended when the heater is switched on.
- Never refuel or replace gas containers when the engines are running.
- Never smoke when handling fuel or gas.
- Never block evacuation routes or emergency exits.
- Never block access to safety equipment such as fuel valves or main power switches.
- Never block access to fire extinguishers, visible or concealed.
- Never modify the boat's systems (especially electrical, fuel or gas systems).

2.2.1 Fire control equipment

Check the exact locations of the fire control equipment in the section **Safety diagram**.

Fire extinguishers

You must fit the boat with hand-held fire extinguishers with a fire rating of at least 13A/89B (2 kg).

Check the exact locations of the fire extinguishers in the section **Safety diagram**.



The fire extinguishers are not included in the manufacturer's delivery.

Fire blanket

A fire blanket is ideal for putting out small fires and also one of the best options if a person's clothes catch fire.

- Keep a fire blanket onboard in an easily accessible place.

2.2.2 Boat owners' and users' responsibilities

It is your responsibility as the boat owner and user to ensure that the fire control equipment is accessible at all times.

- Check the fire extinguishing equipment regularly at the intervals specified for the equipment.
- Replace equipment with expired date immediately with equivalent or better equipment.
- Advise the crew and guests of the location and instructions for use of the fire control equipment, and the location of evacuation routes and emergency exits.

2.2.3 Checklist: Fire in the engine

- Stop the engine.
- Steer the boat up against the wind, if possible.
- Make sure all passengers have life jackets.
- If necessary:
 - Evacuate the passengers.
 - Call for sea rescue.
- Shut off fuel and main power switches.
- Extinguish the fire.
- Wait until fully certain that the fire has been extinguished before opening the engine cover.
Carefully open the engine cover and be prepared to use the handheld fire extinguisher if necessary for post-fire extinguishing.
- Put out possible smoldering fires with water.

2.2.4 Checklist: After fire

- Open doors and windows for better ventilation.
- Inspect the boat and its equipment, and repair any damages.
- Contact local authorities, if needed.
- Make sure that the fire extinguishing equipment is refilled or replaced after use.

2.3 Carbon monoxide

WARNING

Carbon monoxide (CO) is colorless, odorless, tasteless, and extremely dangerous gas.

All engines, generators, and fuel burning appliances produce CO as exhaust.

Prolonged exposure to low concentrations or very quick exposure to high concentrations may cause brain damage or death.

Open all doors, curtains, windows, and hatches to let fresh air circulate when running an engine or generator or burning any fuel while the boat is anchored, moored or docked.

If you can smell engine or generator exhaust, you are inhaling CO. CO can also be present without the smell of exhaust fumes.

If the CO alarm is activated, make sure all persons onboard exit the closed spaces.

- If exhaust fumes are detected or if CO accumulation is suspected on the boat, take immediate action to ventilate these fumes.
- Turn off all engines and generators.
- Open all hatches, windows and ports to ventilate.

Changing course and speed to place the boat heading into the wind can improve ventilation.

Symptoms of carbon monoxide poisoning are dizziness, ears ringing, headache, nausea and unconsciousness. A poisoning victim's skin often turns cherry red.

Because the carbon monoxide gas is odorless, colorless and tasteless, it is unlikely to be noticed until a person is affected.

- **If CO poisoning is suspected, have the victim breath fresh air deeply.**
- **If breathing stops, resuscitate.**
- A victim often revives, but then relapses because organs are damaged by the lack of oxygen.
Seek immediate medical attention.

High levels of carbon monoxide may accumulate in the following ways:

- Blocking hull exhausts while operating at slow speed or if exhausts are submerged.
- Using canvas curtains.
- Winds blowing exhaust toward boat occupants.
- Operating engine or generator in a confined space.
- Operating with the bow high.

Dangerous concentrations of carbon monoxide are present if:

- the engine or generator exhaust systems leak
- insufficient fresh air is circulating where people are present
- fumes move from the rear of the boat into the cockpit and cabin area.

To minimize the danger of CO accumulation when the engine and generator are running or when using burning fuel applications:

- Be sure to have sufficient ventilation when using canvas or window-type side curtains when underway, anchored, moored or docked.
- If the convertible top is installed, operate with the forward hatch open and leave the cabin door open.
- Operate all burning fuel appliances, such as charcoal, propane, LPG, CNG or alcohol cooking devices, in areas where fresh air can circulate.
Do not use such devices where there is no noticeable air movement, especially in the cabin, when anchored, moored or docked.
- Do not idle the engine without moving the boat for more than 15 minutes at a time.
- Inspect the exhaust system regularly. See the manufacturer's manual for instructions.

2.4 Carbon monoxide monitor

There is a carbon monoxide monitor system in the boat. Carbon monoxide units are located in all accommodation areas of the boat.

- With regular intervals, check that the monitor system is functioning. For instructions, see the equipment manufacturer's manual.

It is not possible to turn the CO monitor off when the boat is in use.

Low battery voltage can trigger the unit to sound alarm. Audible and visual signals are explained in table *Carbon monoxide monitor visual and audible signals*.

Operation	Audible Signal	Visual Signal
Normal	None	Green led flashes every minute
CO alarm	4 beeps, 5 seconds off - cycle repeats	Flashing red
Alarm Malfunction	Beep every 30 seconds	Alternating red/green flash
End of Life	Beep every 25-30 second	Red red green green flash sequence

2.5 Smoke alarm

Boat is equipped with smoke alarms.

Smoke alarm is battery powered. When the battery level reaches low level, the smoke alarm will start emitting low battery warning signal.

Smoke alarm may give false alarm if there is steam, condensation, or normal smoke or fumes in its vicinity.

The smoke alarm has a built-in hush or silence feature incorporated into the test button. This feature can be useful when unwanted alarm is caused by cooking or other non-hazardous sources trigger the alarm. Hush or silence feature temporarily silences the alarm and can be activated by pressing the test button for approximately 1 second. When hush or silence feature is activated, the alarm will enter dormant mode for 10-minute period with reduced sensitivity. Reduced sensitivity is indicated by red LED flashing every 10 seconds. After the period is over, the device will signal returning to normal sensitivity with two short beeps. If smoke density increases during hush or silence period, the device will automatically return to alarm mode.

Smoke alarms should be replaced at minimum every 5 years.

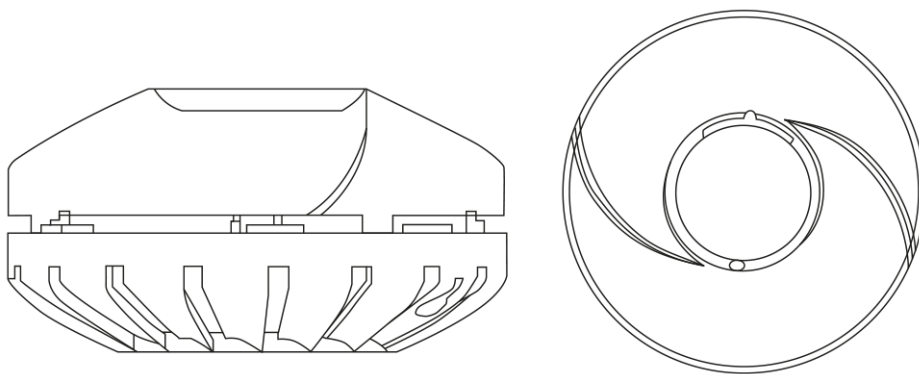


Figure 2.1 Smoke alarm

2.6 Life raft

The boat is not equipped with a life raft by the manufacturer.

Storing a life raft

If you decide to acquire a life raft for your boat, stow it to the aft of the boat, so that it is easily accessible in case of emergency.

Using the life raft

The life raft must be tied to the stern of the boat and prepared for use.

In an emergency, it is easiest and safest to board the life raft from the swimming deck. Switch off the engine before using the life raft.

Follow the life raft manufacturer's instructions.

3 Product overview

3.1 Purpose of use

The boat is a recreational boat, thus not suitable for professional use.

3.2 Identification

Each boat has a unique identification code, containing 14 characters and a hyphen.

The height of the code text is 6 mm, and it is located on the starboard side of the stern.

Example: FI – BOT8C001F920	Data
FI	Country of manufacturer: Finland
-	Hyphen
BOT	Manufacturer: Axopar Boats
8S	Boat model • C = Cabin • S = Spyder
001	Boat number
F	Manufacturing month • A = January • B = February • C = March • etc.
9	Last digit of the manufacturing year
20	Model year

3.3 Builder's plate

The builder's plate is always located close to the steering position of the boat.

Eurofins Expert Services Oy has inspected that the boat fulfills the Recreational Boat Directive and related standards' requirements.

The builder's plate contains the following information:

- Boat model
- Manufacturer's address
- Maximum number of persons on board

- Maximum load: total weight of persons including personal luggage and basic equipment, and excluding tank contents
- Maximum engine power
- Maximum engine weight
- Issuer of the CE certificate.

3.4 CE certification

This boat is classified to CE categories B and C.

The category is determined according to the maximum number of persons allowed onboard.

The CE certification indicates that a boat is designed and built in such a way that it retains its stability and buoyancy in given circumstances and meets other important requirements that are characteristic of the category in question. One of these requirements is that the boat must be easy to maneuver.

The CE categories classification also signifies that a boat is designed and constructed to withstand the following parameters in respect of stability, buoyancy, and other relevant essential requirements stated.

Category	Description
A. Ocean	The boat is designed for extended voyages, where conditions experienced may exceed wind force 8 on Beaufort Scale and include significant wave heights of at least 4 meters. Under such conditions, the boat must be largely self-sufficient.
B. Offshore	The boat is designed for offshore voyages, where conditions up to and including wind force 8 on Beaufort Scale and significant wave heights up to and including 4 meters may be experienced.
C. Inshore	The boat is designed for voyages in coastal waters, large bays, estuaries, lakes and rivers, where conditions up to and including wind force 6 Beaufort Scale and significant wave heights up to and including 2 m may be experienced.

3.5 Dimensions and weight

Dimensions

Dimension	SI units	US units
Hull length (LH)	9.2 m	30 ft 1 in
Overall length (LMAX) (excluding engine)	9.2 m	30 ft 1 in
Hull beam (BH)	3.0 m	9 ft 8 in
Draught at max. load	0.8 m	2 ft 8 in
Height measured from waterline at light load	2.8 m	9 ft 8 in

Power

	SI units	US units
Maximum recommended power with twin engines	2 x 186 kW	2 x 250 hp

Weight and loading

	SI units	US units
Hull weight (excluding engine)	1796 kg	3960 lb

	Category B	Category C
Maximum number of persons	6	9
Default weights:		
• Adult: 75 kg (165 lb)		
• Child: 37.5 kg (83 lb)		

	Category B		Category C	
	SI units	US units	SI units	US units
Total weight of all persons	450 kg	992 lb	675 kg	1488 lb
Weight of unloaded boat with maximum weight outboard engines	2567 kg	5659 lb	2567 kg	5659 lb
Maximum recommended load	796 kg	1755 lb	1021 kg	2251 lb
Boat weight at maximum load	3363 kg	7414 lb	3588 kg	7910 lb

of which

	SI units	US units
Maximum recommended engine weight	626 kg	1380 lb
Personal luggage	50 kg	110 lb
Fresh water (39 l)	39 kg	86 lb
Septic water (45 l)	45 kg	99 lb

	SI units	US units
Fuel (260 l)	195 kg	430 lb
Other liquids (heater fuel)	17 kg	37 lb
Life raft weight	24 kg	53 lb
Total weight of fuel, water and other liquids	296 kg	653 lb
Mass on trailer	2818 kg	6213 lb

Tank capacity

	SI units	US units
Fuel tank	260 l	69 gal
Fresh water tank	39 l	10 gal
Septic tank	45 l	12 gal

The boat's stability assessment is based on maximum load conditions.

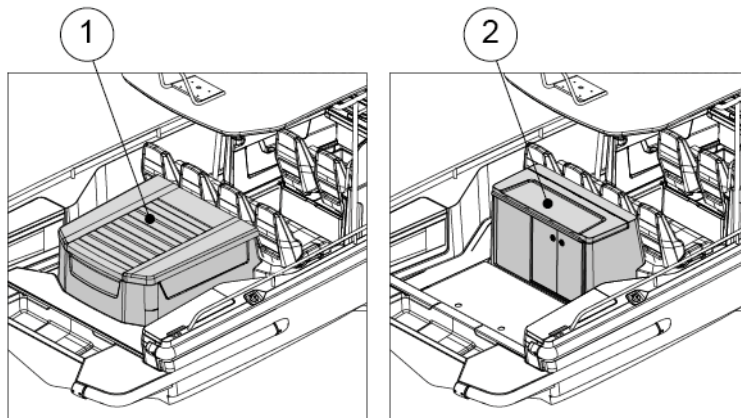
The maximum recommended load only contains the weight components mentioned above.

3.6 Boat layout

The boat has several deck options. The layout of the equipment and the technical components may vary depending on the chosen accessories.

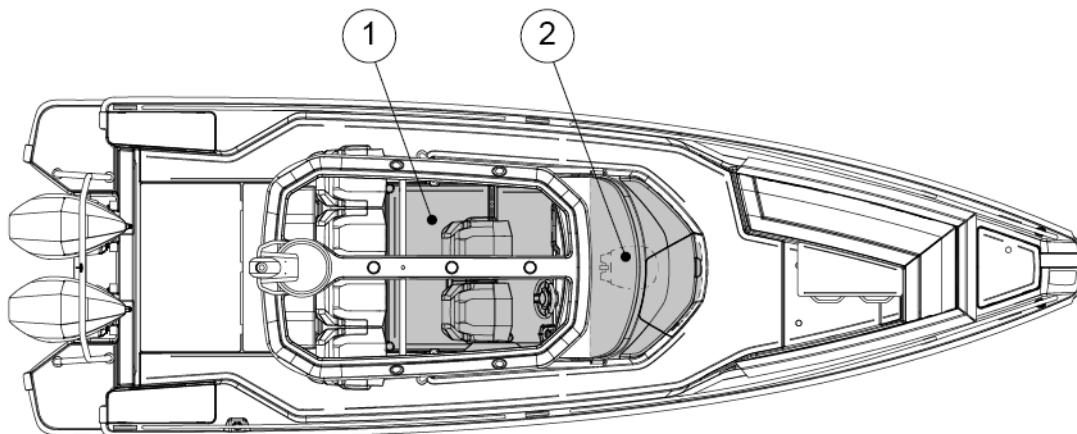
The standard boat has a flat aft deck with stowage underneath.

The storage can be replaced with optional extra equipment such as an aft cabin or a wetbar.



- (1) Aft cabin
- (2) Wetbar

As an option, the cabin can be equipped with a pilothouse pantry. In the front part of the cabin, there is a toilet with a door that opens to the front deck.



- (1) Pilothouse pantry
- (2) Toilet

4 Product description

4.1 Stability and buoyancy

Pay attention to the stability and buoyancy of the boat.

All weight dispositions (for example installing a fishing tower or radar, and engine replacement) can have a significant impact on the stability, trim, and performance of the boat.

- The bilge water level needs to be kept at a minimum.
- The stability of the boat is compromised if any weight is placed in a high position.

In stormy weather, all hatches, compartments and doors must be kept closed to minimize the risk of flooding.

Breaking waves represent a significant danger to stability.

⚠ WARNING

To avoid the risk of flooding, always keep the seacocks closed when not in use (for example, the seacock for the toilet's flushing water).

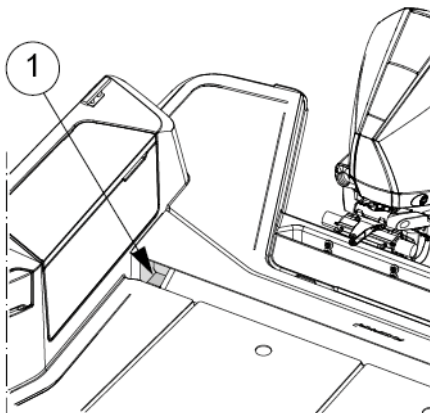
4.1.1 Self-draining systems

The boat is equipped with self-draining systems for the whole deck area. The system is drained through drain holes in the aft of the boat. In addition to rainwater, the drain holes are intended to drain water ending up on the deck through splashing or from breaking waves.

There are drain holes for water in both aft corners of the deck. The openings are directly connected to the sea. The deck of the boat has been designed to allow the water to drain straight into the sea via the water gullies.

⚠ CAUTION

Do not close the drain holes when using the boat.



(1) Drain hole

The drain holes must be open at all times. Clean the holes regularly by removing any accumulated debris to prevent clogging.

The system is built so as to drain the water from the deck in normal use. Do not close the taps when using the boat or when the boat is attached to the dock.

In the cockpit and driver's floor there are draining holes on both sides of the floor. Cockpit draining holes are equipped with seacocks located on transom. Driver's floor drains to a container located in front of the toilet. There is a water pump that pumps water out from the container.

NOTICE

The self-emptying open space is meant for the removal of such water that ends up on the deck through rain, splashing or from breaking waves. A part of the rain water as well as water condensation in the bilge may end up in the bilge.

- Do not leave the boat unattended in the water for a long time.
- Observe the floating position of the boat and empty the bilge when necessary.

Leaving the boat unattended in the water for a long time may cause damage.

4.1.2 Openings in the hull and deck

There are several inlets through the boat that include valves for opening and closing such inlets. It is recommended to keep these inlets closed if the boat is out of use for a long time, and to open them again when the boat is used again. If the boat is lifted out from water or in rainy conditions, inlets should be kept open.

Always check that all hatches are securely closed before and after using the boat.

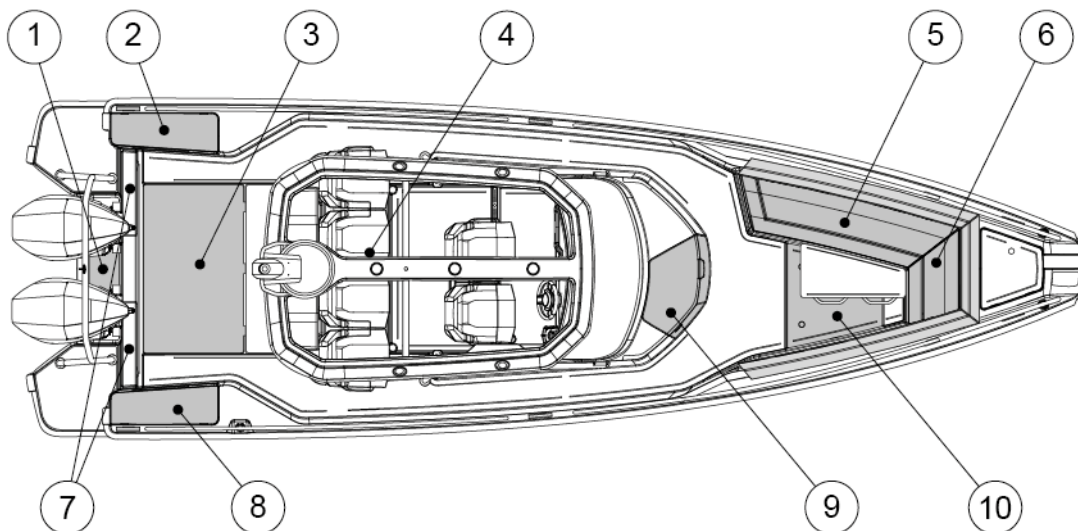
We recommend that you keep the windows, doors, deck hatches, roof hatches, vents and interior doors closed while driving. In stormy weather, always keep them securely closed to minimize the risk of water getting into the boat and to avoid any personal injuries.

In certain conditions and speeds, it is possible that water is sprayed inside through canopies, hatches or other openings, due to negative pressure or other effects. Risk for this can be minimized by closing the canopies, hatches or other openings.

⚠ WARNING

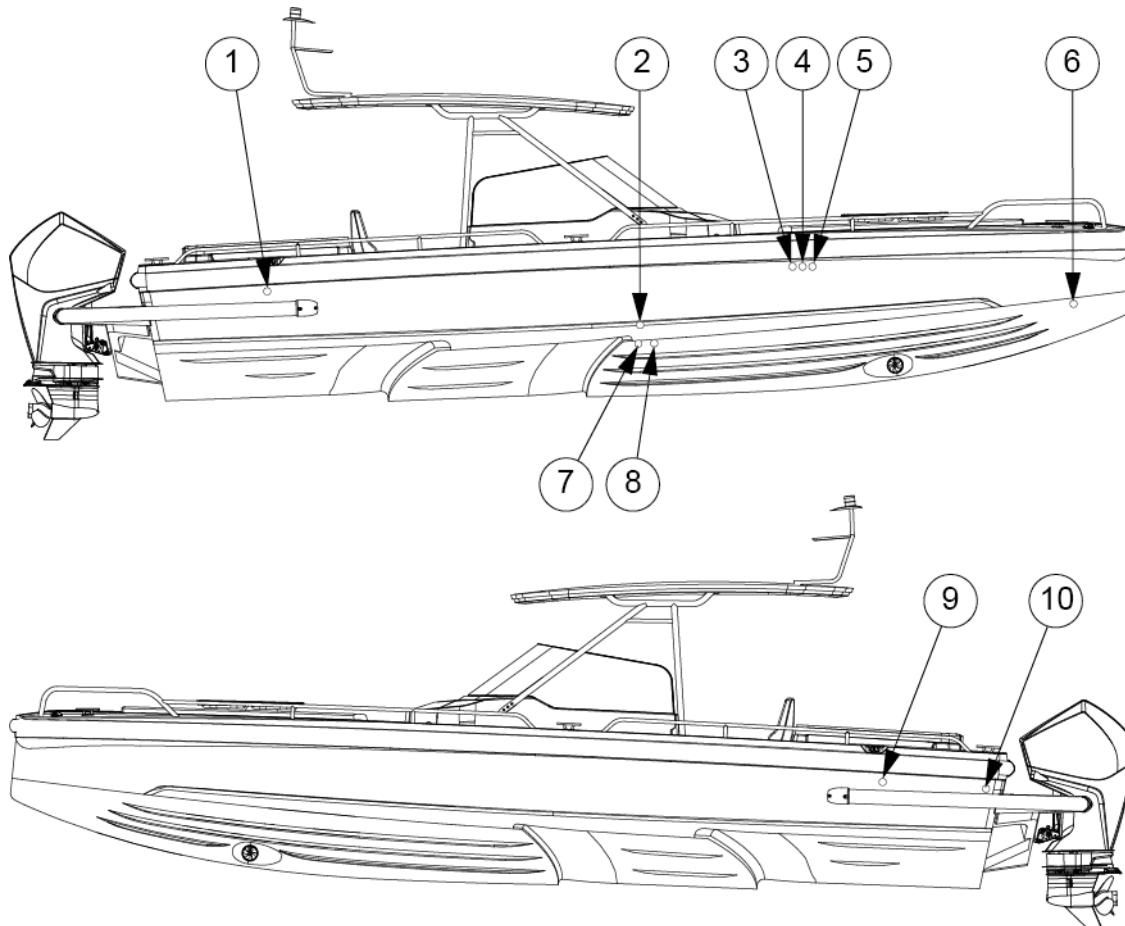
All doors and hatches must be kept shut when under way.

The figure shows the hatches that must be kept closed while under way or when the boat is attached to the dock.



- (1) Inspection hatch in the engine bracket
- (2) Port fender box hatch
- (3) Floor hatch or roof hatch (with aft cabin)
- (4) Cabin door (with aft cabin)
- (5) Side storage box
- (6) Front storage box
- (7) Aft deck hatch (without aft cabin)
- (8) STB fender box hatch
- (9) Toilet door
- (10) Storage box hatches

The location and number of these components depend on the level of the equipment on the boat.



- (1) Fuel vent
- (2) Toilet sink outlet
- (3) Fwd auto bilge pump outlet
- (4) Waste water tank
- (5) Fresh water tank vent
- (6) Anchor locker drain
- (7) Toilet flush inlet
- (8) Waste water tank outlet
- (9) Manual bilge outlet
- (10) Aft auto bilge pump outlet

4.1.3 Bilge system

The bilge system is designed to enable keeping the bilge water level at a minimum. The system consists of several pumps that cover all the lower sections of the boat.

The boat is equipped with both manual and electric bilge pumps. The signs on the boat display the draining area of each pump.

The manual bilge pump is controlled with its handle.

The submersible electric bilge pumps are equipped with a float which triggers them automatically if there is water in the bilge space. The electric bilge pumps can also be controlled manually from the switches on the steering console.

⚠ WARNING

The bilge system is not designed for damage control.

The combined capacity of the bilge system is not designed to pump out the boat in the event of hull damage.

NOTICE

Keep the bilge area clean by washing it ever so often using bilge cleaner or biodegradable soap and water. Clean bilge significantly helps noticing signs of leaks or other problems that may occur.

NOTICE

- Check the functionality of the bilge pumps regularly by manually activating them.
- Remove any waste from the intakes.
- Clear the pump outlets from debris.

If seacocks are fitted in the fore and aft peak bulkheads, keep them closed, and only open to let water drain into the main bilges.

NOTICE

Do not run the pumps dry for a long time. The pumps will be damaged.

NOTICE

Avoid pollution.

Since the bilge system comprises of several automatic and manual pumps that cover all areas of the boat, the risk of accidental discharge of contaminated water by automatic pumps needs to be minimized.

Mitigate the risk by checking the bilge water regularly for contaminants such as oil, diesel, and glycol.

Before every use

Make sure that:

- The bilge pumps can operate freely, and there are no objects blocking operation.
- Water can flow through the strainer, and there is no muck or material restricting the water flow.
Clean the strainer by pushing the lock tabs in the pump motor and lifting the motor unit off.

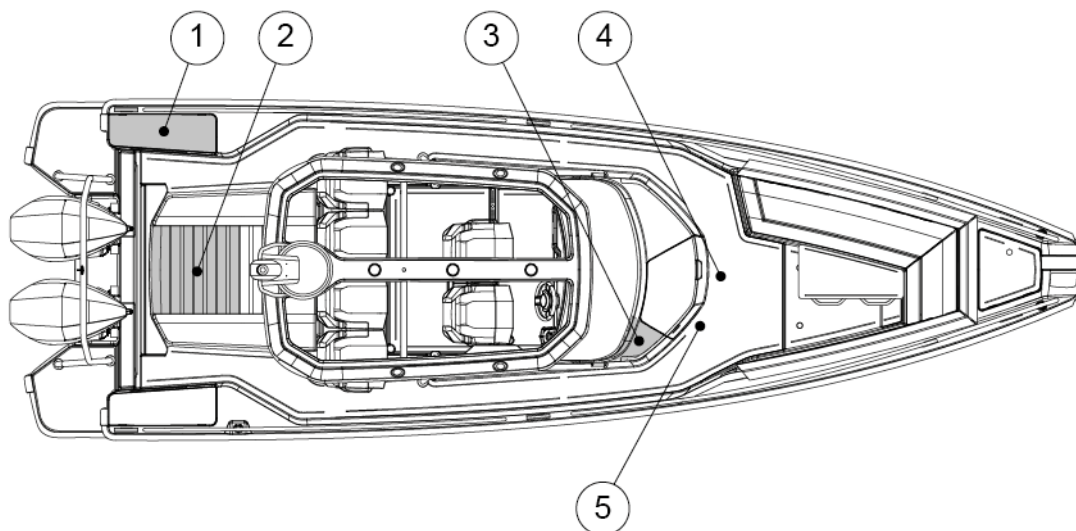
4.1.3.1 Bilge pumps and outlets**Bilge pump output**

- The manual bilge pump output is 33 liters (9 gallons) per minute.
- The automatic bilge pump output is 41 liters (11 gallons) per minute.

Bilge pump locations

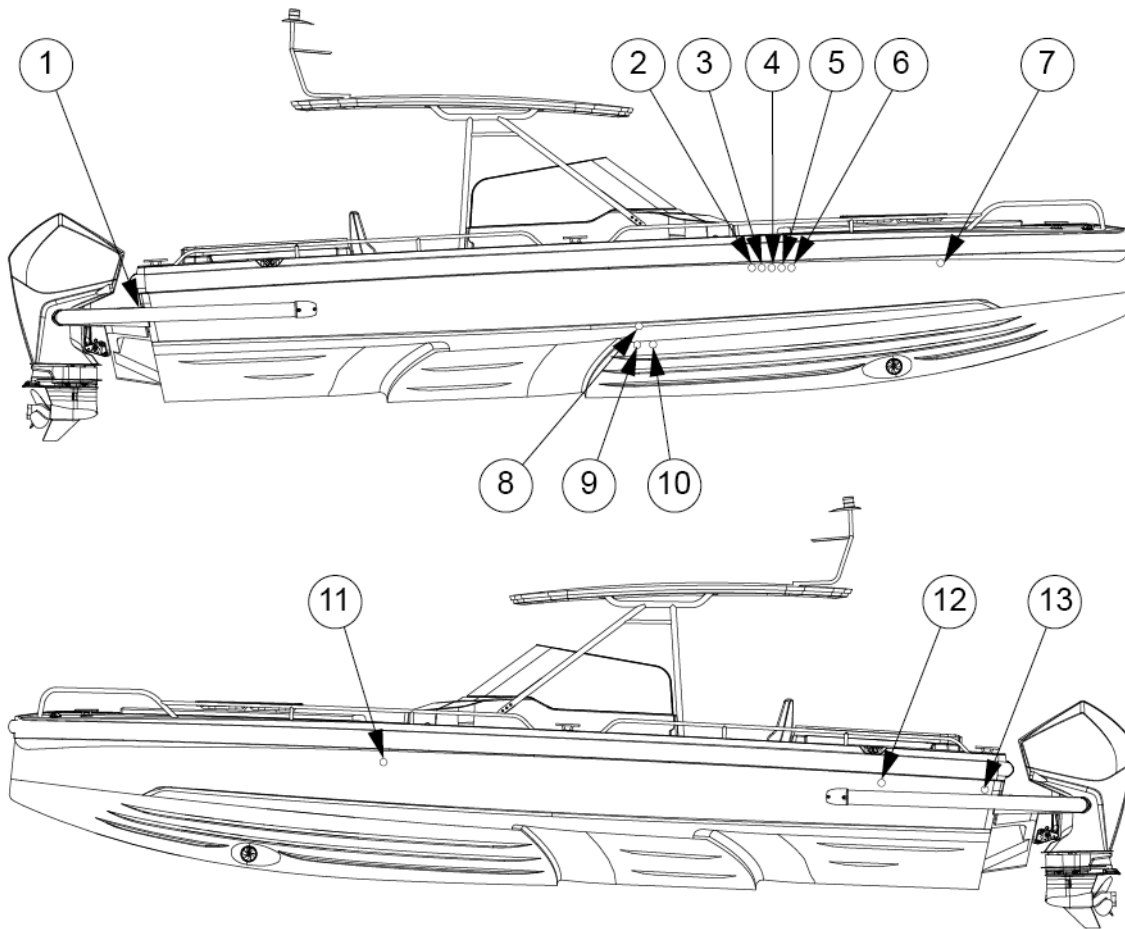
The electric bilge pumps are submersible. One electric bilge pump is located under the berth of the aft cabin and can be accessed by opening the floor hatch. The second electric bilge pump can be accessed through the toilet compartment.

The electric pumps are by default in automatic mode and pump out the bilge once the float-switch is triggered. The electric bilge pumps can also be started manually from the boat's main control panel.



- (1) Manual bilge pump
- (2) Aft electric bilge pump
- (3) Front electric bilge pump
- (4) Hull through valves
- (5) Deck draining pump

The figure shows the seacocks and inlets through the side. Always check in the spring when launching that the inlets through the side and bottom are tightly closed.



- (1) Deck draining holes and valves
- (2) Deck draining pump outlet
- (3) Shower pump outlet
- (4) Front bilge pump outlet
- (5) Septic tank ventilation
- (6) Fresh water tank ventilation
- (7) Diesel tank ventilation
- (8) Septic tank draining seacock
- (9) Sinks draining seacock
- (10) Toilet seat inlet seacock
- (11) Heater exhaust
- (12) Manual bilge pump outlet
- (13) Aft bilge pump outlet

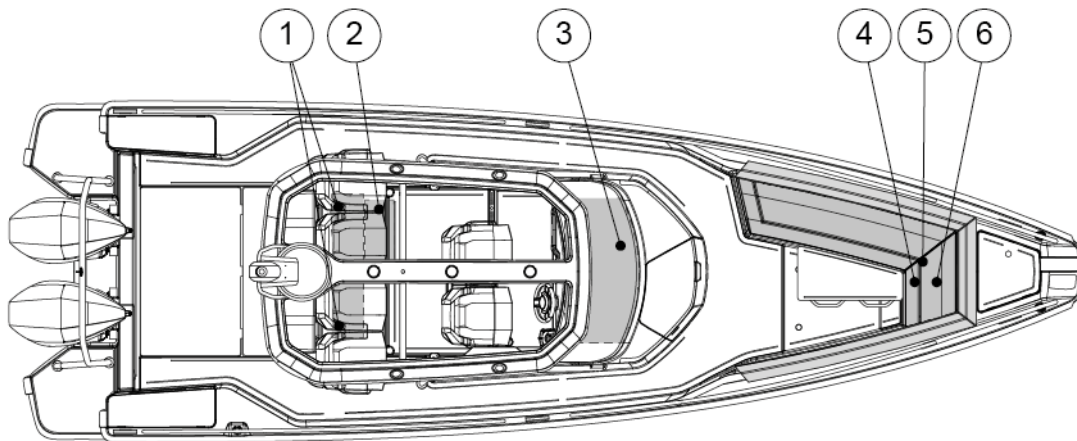
4.2 Technical systems

4.2.1 Electrical system

⚠ WARNING**Risks of fire, explosion and electric shock!**

Improper use of electric DC and AC systems may result in fire, explosion or electric shock.

Follow the instructions carefully.



- (1) Batteries
- (2) Main switch panel
- (3) Fuse panel
- (4) Shore power plug
- (5) Shore power system battery charger
- (6) Bow thruster and windlass fuses and Aux battery

4.2.2 12 V system

Most of the boat's equipment uses the 12 V system.

The 12 V system consists of engine driven alternators, battery chargers for shore-side electricity, batteries and equipment. The power is supplied to the batteries via diodes from either the engine alternator or the shore power charger.

To activate the circuits in the 12V system, the main switches for the corresponding circuits need to be activated and the fuses intact. When the electronic circuit is switched on, the equipment can be operated from the main switch panel.

⚠ WARNING

- Never switch off the main switch when the engine is running, because this may cause damage to the alternator.
- Never carry out electrical installations when the power is switched on.
- Never modify the boat's electrical system or diagrams. Service and maintenance must be carried out by a qualified electrician.
- Never alter or modify the rated amperage of the overcurrent protective devices.
- Never install or replace electrical equipment with components that cause the circuit's nominal rated amperage to be exceeded.
- Never leave the boat unattended with the electrical system energized, except automatic bilge pump, fire protection, and alarm circuits.
- Maintain any damaged equipment before taking it back to use.

4.2.3 Main switches

The different electronic circuits of the boat are controlled by the main switches.

The main switches allow the batteries to be disconnected from all devices that consume electricity. When the main switches are in the On position, the current is conducted to the distribution board and from there to different parts of the boat.

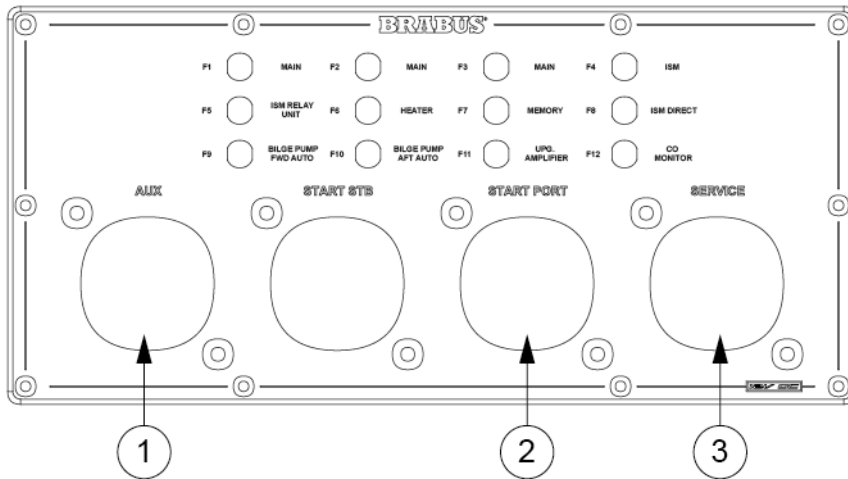
The background color of the main switch and the text On shows that the electronic circuit is switched on, and when the circuit is switched off, the background color is red and the text says Off.

When you leave your boat for any length of time, switch the current off from all the main switches. Devices that constantly need current are active regardless of the position of the main switches.

The design drawing of the boat's electrical system is presented in **Appendix II**. The location of the main switches is presented in the section **Electrical system**.

The main switch is located under after seat. In the main switch panel, there are direct supply switches for critical equipment and main switches for the start batteries, the service battery and the Aux battery.

Current is fed to the engine by turning the Start switch to the On position. The current feed to other equipment is achieved by turning the Service switch to the On position, and feed to the bow thruster and windlasses is achieved by turning the Aux switch to the On position.



- (1) Aux battery
- (2) Start battery
- (3) Service battery

4.2.4 Direct supply switches

Some of the devices in the boat are supplied by direct supply switches. Direct supply switches are intended for such equipment that need current when the main switches are turned off.

When pushed down, the switch is on and when pushed up it is off. The switch indicates a short circuit or interference in the electronic circuit by springing up to the “off” position. The switch can be reconnected by pushing it back down to the “on” position. Do not reconnect the switch before you have found out the reason for the interference.

The direct supply switches must be left on even if the current from other circuits is switched off. An appliance that is switched off too early may cause the appliance to overheat and become damaged.

⚠ WARNING

Turning the direct supply switch off too early may cause the device (for example, the heater) to break or catch fire, because the devices have a ventilation feature that works even if the device is otherwise switched off.

- Make sure the device is cooled down before turning it off completely. For more information, see the manual of the device in question.

4.2.5 Fuses

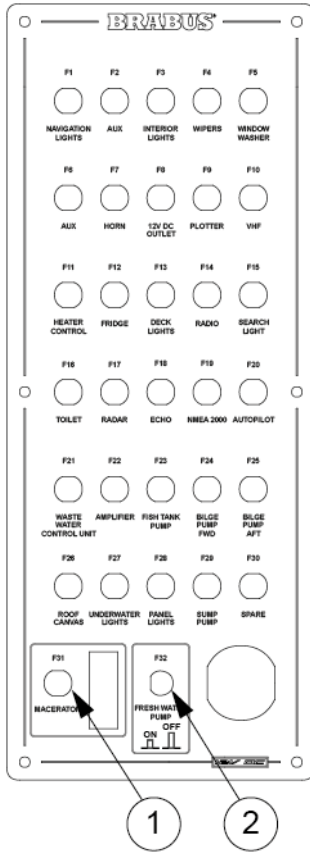
The fuse panel includes fuses for the boat’s equipment. The fuse panel is located in the toilet room.

The fuses are in the form of trip switches that break the circuit and spring up when tripped. Do not reset the switch before you have found out the reason for the breaker tripping. After that press the switch back down.

The panel has a combined switch and fuse for the macerator and fresh water pump. The fuse panel also has a 12 V output.

⚠ WARNING

Before connecting an electric circuit, make sure that the circuit is not damaged and that there will be no short circuit or a fire caused by possible damages in the electric circuit. Any damaged equipment must be maintained or changed before they are again taken into use.



- (1) Macerator switch and fuse
- (2) Fresh water pump switch and fuse

4.2.6 Heavy duty fuses

There are fuse panels containing fuses for appliances and electronic circuits which require large currents, such as windlasses, in the boat.

The bow thruster's and windlasses' high-current fuses are located under the front deck hatch and the battery charger fuses behind the toilet's wall panel.

The functioning of fuses can be checked from the holes in the fuse's cover. If the metal strip visible in the hole is unbroken, the fuse is operational.

If the metal strip is damaged, meaning that an overload has occurred, contact a qualified nautical electrician.

⚠ WARNING

Opening the cover is not recommended, as there is a danger of electric shock and serious injury.

If the metal strip is damaged, contact a qualified nautical electrician. If it is necessary to open the cover, make sure that all the current cables from the batteries are disconnected.

4.2.7 Batteries

The boat is equipped with 2-4 batteries. The amount of start batteries depends on the engine selection. The start batteries supply current to the engine(s) and engine-related equipment, and the service battery for other appliances and equipment on the boat. There is a separate battery for the bow thruster.

The dual battery system has been designed and built so that the boat's engine starts even if its service battery is empty. When the dual battery system has been installed, the start battery only supplies current for the engine system. All other power consuming devices have been connected on to service battery. The batteries are charged by the engine alternator. Charging of the batteries is arranged so that the start batteries are always prioritized. Once the start batteries are full, charging of the service batteries starts automatically.

The batteries are located in the aft of the boat. The exact location of the batteries is presented in the section **Electrical System**.

⚠ WARNING

Only use maintenance-free AGM batteries in the boat.

- When you leave the boat, switch off the current from the main switch.
- Remove the batteries from the boat for winter storage.
 - When removing a battery, detach the negative pole first.
 - When disconnecting batteries, be careful not to touch both poles at the same time with a metal tool.

4.2.7.1 Charging the batteries

⚠ WARNING

- Make sure that the battery compartment is always well ventilated when charging batteries.
- Only charge batteries in the boat with the boat's own chargers. In other cases, remove the batteries from the boat.
- Remember that the batteries discharge an explosive oxy-hydrogen gas at a voltage of 14.4 volts.
 - The voltage of a normal battery in unloaded status is 12.3-12.7 V.
 - During charging, the voltage increases and the charging regulator stops the charging process automatically at a preset level.
 - The voltage measurement must be taken at the battery terminals, not the alternator, to achieve the correct result.

4.2.7.2 Winter storage

For winter storage, the batteries can be left on board only if they are fully charged.

A partially discharged battery can freeze and crack. Always disconnect the cable terminals from the battery to avoid oxidation. When removing batteries, disconnect the negative pole first and make sure that there are no flammable or explosive materials or liquids nearby. When putting the batteries back in place, connect them in reverse order (positive pole first).

4.2.7.3 Cleaning the batteries

The top of the batteries needs to be cleaned regularly to avoid current leakage between the cells. If the battery is located in a separate area, it is normally sufficient to clean it in the spring and autumn.

Make sure that the air holes in the cell plugs are open so that gas can be vented.

The terminals and cable terminals must be lubricated to prevent deposits and corrosion.

4.2.8 110/230 V system

You can choose to equip your boat with the optional 110/230 V AC system with a shore power connection, which will allow you to use devices that run on the standard mains current.

The system obtains its power from an external supply on shore or from the jetty (shore power). In the European market the system used is 230 V and in the American market 110 V.

The system functions when a shore power cable has been connected to the shore power socket connection.

1. Turn off the shore power switch before connecting or disconnecting the cable.
2. Connect the shore power cable to the boat before connecting it to the shore power.
3. Disconnect the shore power cable from the shore power before disconnecting from the boat.
4. Close the hatch of the boat's shore power connection.

The system's main fuse is located in a separate control panel. The system includes a battery charger, which starts charging batteries automatically when the boat has been connected to shore power. The location of the components is presented in the section **Electrical System**.

The shore power system needs to be checked at least biannually. Always disconnect the shore power cable when the system is not in use. Metal casings of installed electrical equipment must always be connected to earth in the boat electrical system. Use electrical equipment equipped with earth protection only.

⚠ DANGER

Risk of electric shock and fire!

- Do not touch an energized high voltage system.
- Do not change the plug of the shore power cable. Use compatible connectors only.
- Try to minimize the risk of electric shock, short circuit and fire.
- Do not allow the shore power cable to hang in the water. If it does, a hazardous electric field could be created in the water.
- Never modify the connections on the shore power cable. Use compatible connectors only.
- If the earth fault breaker is tripped, disconnect the shore power cable immediately. In such a case contact a qualified electrician for repairs before the system is used again.

⚠ DANGER

To avoid an electric shock and risk of fire:

- Switch off the shore power switch before connecting and disconnecting the cable.
- Connect the shore power cable to the boat before connecting it ashore.
- Disconnect the shore power cable ashore before disconnecting it from the boat.
- Close the hatch to the shore power socket on the boat carefully, avoiding getting it wet.

4.2.9 Fuel system

The boat has a fixed fuel system and a water-separating fuel filter on the suction line.

Instead of the fuel system used in the European region, the boats produced for the American region use the EPA (United States Environmental Protection Agency) fuel system regarding NMMA (National Marine Manufacturers Association) certification rules.

See the fuel system drawing in **Appendix II**. For care and maintenance of the fuel system, see the instructions in the engine manual.

⚠ WARNING

Never start the engines if there is strong gasoline odor present.

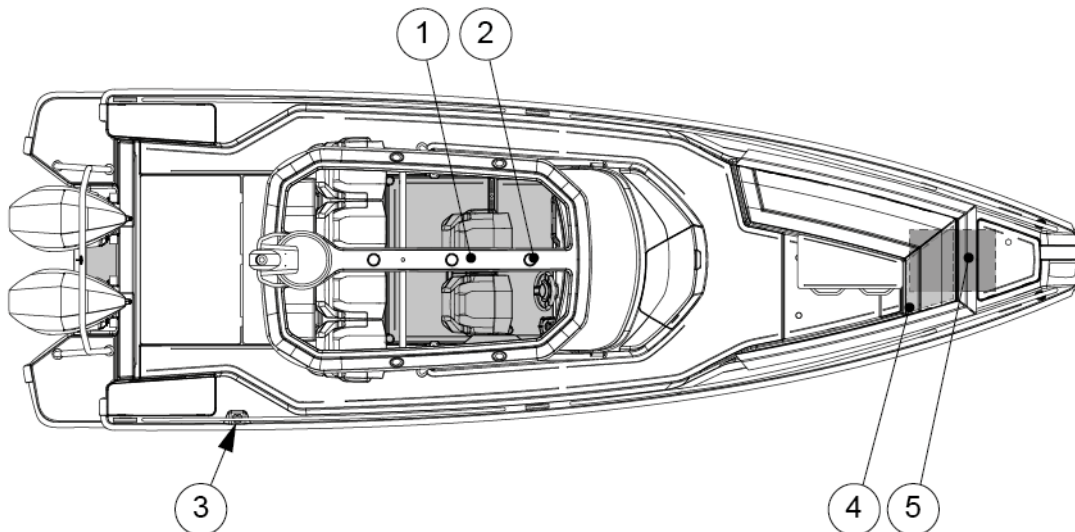
⚠ WARNING

Risk of fire.

- Do not smoke or handle open flames when refueling.
- Remember that it is not allowed to store fuel in spaces not specifically designed for it. Since there is no ventilated storage space on the boat, possible spare fuel cans must be stored on deck.

Fuel system component locations

- The fuel tank is located in the middle of the keel. Prevent damage to the fuel lines.
- The fuel tank valves are located under the driver's seat. The EPA fuel system is equipped with an automatic fuel valve.
- The inlet pipe for fuel is located in the starboard side of the deck.
- If the boat has been equipped with an extra diesel tank, the inlet pipe and tank are located forward.



- (1) Fuel tank
- (2) Automatic fuel valve
- (3) Fuel inlet fitting
- (4) Diesel tank inlet fitting (under hatch)
- (5) Diesel tank

4.2.9.1 Refueling the boat

Wet down the composite decks with water before refueling. This ensures that any fuel spillage will float on the water and not penetrate the decking material.

Water reaching the engine's injection system can cause rapid corrosion damage to the precision components in the injection pump components. For this reason, it is vital to check the extra fuel filter regularly for water. Every so often, drain a small quantity of fuel into a suitable container (avoid fuel spillage) and check that there is no condensation water. If there is water in the filter, continue to drain until only clean fuel appears.

The fuel system on the engine is sensitive to air bubbles in the fuel. Always fill the tanks well before they are completely empty. If the system has been run dry, it must be bled before the engine can be started again. See the engine manufacturer's instruction manual before bleeding the fuel system.

⚠ WARNING

- Never block access to safety equipment, fire extinguishers, fuel valves or main power switches.
- Never block any ventilation openings made in the boat because their purpose is to clear the air of fuel fumes.
- Never use a wrong type of fuel in the heater or cooker as this may damage them.
- Never use an open flame when detecting leaks.

4.2.9.2 Maintaining the fuel system

Follow the engine manufacturer's maintenance schedule.

- Annually, check the condition of the hoses and make sure that there are no visible cracks, abrasion, or deterioration.
- Replace worn parts with genuine, marine-grade parts only.
- Bi-monthly, inspect the fuel system for presence of water in the fuel tank.

Presence of water in fuel can be checked by inspecting the contents of the fuel filter.

If any water is found, it must be removed and the whole fuel tank dried before the tank can be refilled with fuel.

- Examine the fuel tank and lines for corrosion and leaks.

4.2.10 Navigation system

Your boat can be equipped with multifunction displays (MFD).

Depending on the boat configuration, the boat is equipped with single or multiple screens.

The multifunction display can be used to show electronic charts, plot courses, and navigate the boat. It also acts as interface for marine electronics and other digitally enabled equipment on board.

Refer to the supplier's manuals for complete user instructions and maintenance instructions of these functionalities and equipment.

4.2.10.1 VHF equipment

VHF radio allows instant communication between your boat and other boats, marinas, bridges, and maritime authorities.

The VHF radio is the recommended means of communication on the coastal waters, and it transmits messages on high frequency waves. The VHF system consists of a VHF radio unit near the drivers position and a radio antenna located on the mast of the boat.



Study the provided booklet for the local regulations and the functionalities related to the use of the VHF system.



For your safety, make sure the VHF system is operational before going out to open sea.

4.2.11 Fresh water system

The fresh water system consists of a fresh water tank, pump and filter.

Your boat may also be equipped with a water supply point in the galley and a deck shower and a water supply point for the wet bar.

The tank is located under front deck. The pump and hydraulic accumulator are next to the tank. The fresh water tank is filled via the inlet pipe on the foredeck.

The fresh water system is turned on by switching on the fresh water pump. The pump switch is located on the fuse panel.

The system maintains a working pressure automatically with the assistance of a hydraulic accumulator, which is why the pump does not need to be shut after use.

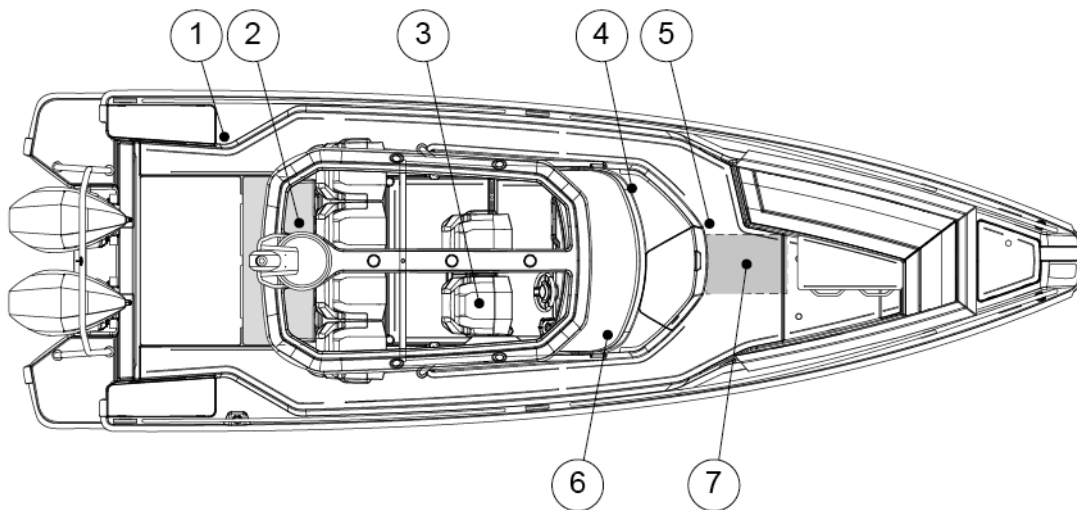
Switch the system off when leaving your boat. Do not forget to check filter in the pump regularly.

The dealer is responsible for disinfecting the fresh water tank before sale.

NOTICE

The water from the system is not meant for drinking.

The fresh water system must be thoroughly emptied for winter storage. It is not recommended to use any anti-freeze products in the fresh water system.



- (1) Deck shower
- (2) Wetbar tap (optional)
- (3) Galley tap
- (4) Fresh water pump switch
- (5) Water inlet fitting
- (6) Toilet tap
- (7) Water tank and pump

The water pump has air release valve which should be slightly opened to facilitate priming when starting the pump or emptying the tank. Once the pump operates normally, the valve should be closed.

The water pump has also two LEDs indicating the operating status and faults in the pump operation. For more information about the signals, please refer to manufacturer's manual.

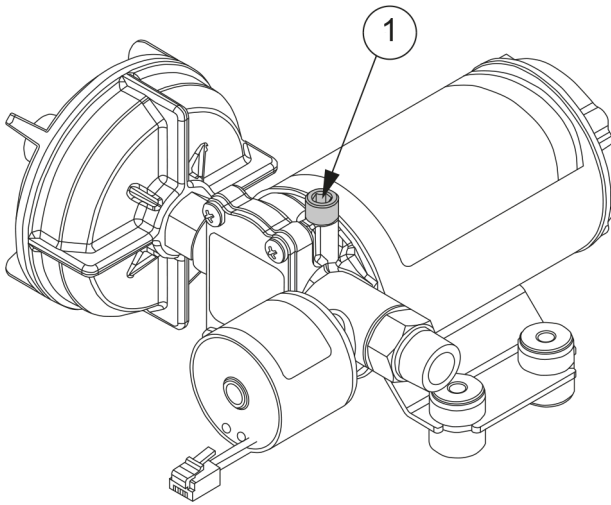


Figure 4.1 Water pump and air release valve

Fresh water system needs to be disinfected and flushed annually or after longer periods of non-use to keep the system in working order.

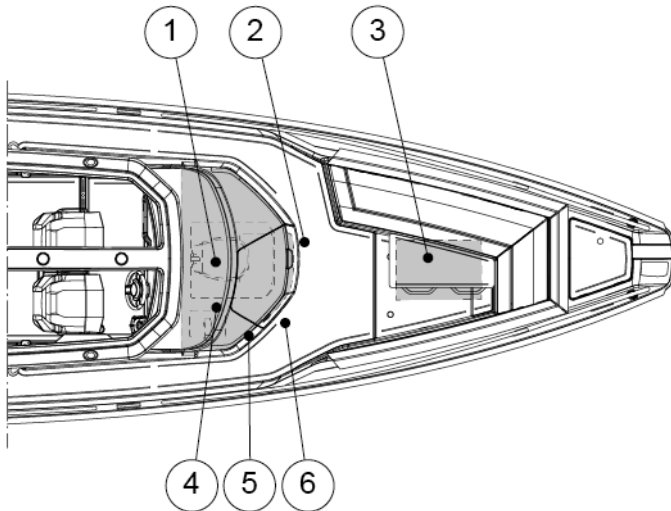
Disinfection procedure is described below:

1. Flush the entire system thoroughly by running potable water to flow through it.
2. Drain the system completely.
3. Fill the entire system with disinfecting solution and follow the manufacturer's instructions.
4. Drain the entire system once disinfection process is complete.
5. Flush the entire system thoroughly several more times with potable water.
6. Fill the system with potable water. Fresh water system is now ready to be used.

Maintenance: Annually inspect hose connections, tube fittings and pump electrical wiring connections for proper securing and no chafing. Water pump inlet filter is recommended to be checked and cleaned annually. Running the system regularly helps keep the water pump's impellers in working order.

4.2.12 Septic system

The boat's septic system consists of the toilet seat, the septic tank and the related systems.



- (1) Toilet seat
- (2) Septic macerator
- (3) Septic tank
- (4) Toilet flush water inlet and septic tank seacock
- (5) Toilet seat pump
- (6) Septic tank suction fitting

Maintaining the macerator

The macerator pump can get stuck if it is not used for extended periods of time. Regular use of the macerator helps to prevent this from happening.

If the macerator pump gets stuck, please contact your dealer for repairs.

4.2.12.1 Toilet seat

The boat is equipped with an electrical toilet seat system that uses fresh water.

NOTICE

- Never put any other objects but toilet paper in the toilet.
- In order to avoid damages, you must also not pour hotter than lukewarm water into the toilet.
- It is under no circumstances allowed to flush paper towels, fabric or rubber products, hard objects, oil products or solvents down the toilet.

Using the electrical toilet

The electrical toilet is used with a separate operating switch. For more information on the device, see the manual for the toilet.

Maintaining the toilet

- Clean the toilet with a mild cleaner.
- Never use cleaning agents or deodorants which contain pine oil, formaldehyde or chlorine, nor corrosive or petroleum-based agents.

These materials can damage the plastic and rubber parts in the toilet.

- Lubricate the pump shaft with Vaseline to increase the service life of the seal.
- Flush the toilet system thoroughly with fresh water when the boat is not in use.

4.2.12.2 Septic tank



Avoid environmental pollution!

The black water tank is fitted with a deck outlet pump using an international standard type connection. Using the pump, the black water can be emptied to a permanent septic tanks ashore. These facilities must always be used.

In areas where there are no permanent septic tanks, the macerator is used to evacuate the contents of the tank straight into the water as follows: Open the sealed seacock. If possible, empty the tank daily and always in deep waters far from the shore. For the location of the pump, see the section **Septic system**.



The shut-off valve must be closed after the evacuation.

Do not allow the tank to become full. It can lead to paper becoming compacted in the bottom of the tank, making it more difficult to empty.

NOTICE

Before the boat is laid-up for winter storage, the whole system must be cleaned and flushed thoroughly while the boat is still in the water.

The whole system must be thoroughly drained of water when the boat is lifted out of the water.

This measure prevents frost damage, bacteria growth and smells.

Use of antifreeze is not recommended, since it is impossible to guarantee that it reaches all parts of the system.

4.2.13 Bow thruster

The bow thruster enhances the maneuverability of the bow when docking or performing other maneuvers that require increased operator control.

The bow thruster is located under the front deck and can be accessed by removing the bottom of the storage box.

The bow thruster is powered by the Aux battery. The main switch is located in the bow area of the boat.

The control switch is located in the steering console.

The batteries must be disconnected from the electronic circuit before changing a fuse. For more information, see the manufacturer's manual.

⚠ WARNING

Incorrect use may cause overheating and short circuiting, and pose a fire risk.

- Use the bow thruster for only short periods at a time.
- Do not exceed four duty cycles (max. 30 seconds long in 25 mins).

If overloading occurs, contact a qualified marine electrician.

⚠ WARNING

- Do not touch the bow thruster or its fuse if the Aux main switch is switched on.

4.3 Optional equipment

This section presents the optional equipment and systems available for the boat.

4.3.1 Heating system

The boat can be equipped with a heating system as an optional equipment.

The heater unit is located behind the toilet room wall. In addition, there are a different number of heating vents available, depending on the boat's equipment.

The operation panel is located in the steering console.

The heater tank is located in the fore. The filling cap for the heater tank is in the bow of the boat.

⚠ WARNING

Appliances that burn fuel, consume oxygen and discharge toxic combustion products into the boat.

Good ventilation is essential when such an appliance is in use. Open ventilation holes and make sure that they are not blocked and that air flows freely through them.

- Never leave the boat unattended when the heater is in use.

NOTICE

Heater components may break if the wrong kind of fuel is used. For more information, see the manufacturer's manual.

- Do not switch off the heater's direct supply current before you have made sure that the appliance has cooled down.

4.3.2 Anchor windlass

The boat can be equipped with a bow, and in some cases aft, anchor windlass (optional equipment).

Operation

To operate the windlass, windlass breaker must be switched on.

Windlass is operated with a momentary switch. Pushing the up button will raise the anchor and pushing the down button will lower the anchor.

If there is a loss of power to the windlass, check the windlass breaker to see if it needs to be reset. If the breaker keeps tripping after it has been reset, the anchor windlass system is recommended to be inspected by a qualified electrician.

The anchor windlasses are powered by the Aux battery. The battery and its fuse are located next to the windlasses.

⚠ WARNING

- Do not touch the anchor windlass or its fuse if the main switch Aux is switched on.
- Even if the current is switched off, do not change the windlass fuse. The high current may cause a fatal electric shock.

Manual operation

In case of loss of power, the windlass can be manually operated by disengaging the clutch. Please refer to the manufacturer's manual how to operate the windlass manually.

Before using the anchor windlass

Always check that:

- The windlass is in working order.
- The anchor chain can move freely.
- The anchor and the chain cannot damage the boat when lowered.
- The anchor and anchor chain cannot hit any person.

For more information, see the manufacturer's manual.

While under way

The anchor windlass must be fixed mechanically to prevent it from coming loose when the boat is moving. For more information, see the manufacturer's manual.

⚠ WARNING

If the windlass loosens when the boat is moving at great speed, it may cause great damage to the boat, its passengers and outsiders.

- Always fix the anchor windlass mechanically in place before getting under way.

⚠ WARNING

- Keep all body parts and clothing away from an activated windlass.

NOTICE

- Do not use the windlass to pull or tow another vessel.

Maintenance

Salt deposit accumulating on the windlass should be washed away with fresh water regularly to prevent corrosion. For more information, please refer to the manufacturer's manual.

4.3.3 Foldable seats for the aft deck

Boat can be equipped with foldable seats for the aft deck.

Aft deck seats are movable and can be installed and removed when needed. Foldable seats lock in place with spring loaded locking mechanism. Seats are designed to be used in low speeds.

When trimming engine(s) up with aft deck foldable seats, it is required to either lift out the seats from their sockets or have the seats turned facing stern. Due to constricted space, the engines will collide with the foldable seats when trimmed up if the seats are facing bow.

4.3.4 Roof racks

The boat can be equipped with roof racks.

Roof racks allow for transportation of bulkier objects such as kayaks or bicycles. Objects put on the roof racks must be secured tight to prevent them from falling off or damaging the boat's roof or other components.



Load limit on roof racks in 25 kg / 55 lbs per roof half.

5 Transportation

5.1 Lifting the boat

In addition to the boat's own weight, take into account the equipment and other possible loads in the boat.



Commission only a reputable lifting company or a boatyard with sufficient lifting capacity to lift the boat. Make sure the company has full insurance cover, in case of any damages.

DANGER

Risk of serious injury or death by falling load.

- Do not stay under the boat when it is hanging in the crane.

Lift slings may slip on the hull. When appropriate, tie the slings together before lifting.

The position of the slings may need to be adjusted depending on how the boat is loaded.

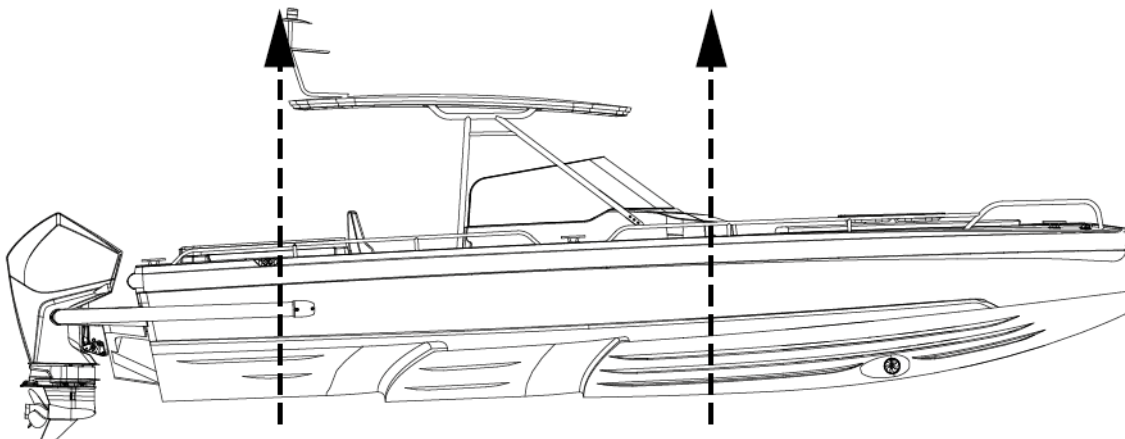
CAUTION

Note the location of the log transducer to avoid damaging it.

- Protect the hull sides well to avoid damages.

The lifting beam must be exactly the same width as the boat. Always take great precautions near and around the boat when lifting.

The location of the lift straps is indicated in the figure.



Before operating any lifting equipment:

- Check and determine applicability of federal, state, or local requirements.
- Follow the lift equipment manufacturer's requirements and recommendations.

- Check the boat's lift points, weight and other information.
- Straddle lift operation is a highly technical area that requires trained and experienced operators.

During lifting:

- Ensure that all hull penetrations are closed or secure.
- Check the boat for bilge water before lifting.
Excessive quantities of bilge water can shift, changing the balance of the load.
- Check for thru-hull appendages such as knot meters and stabilizers, rub, spray, and splash rails, so that they are not damaged by the lifting equipment.
- Check the hull structure to locate shafts, rudders, struts, and the forward and aft ends of any keels.
- Check the hull's structural configuration, including the location of bulkheads, stringers, engines, and tanks.
- Check bilges for water ingress following launch.
- Transport the boat as close to the ground as practicable.

5.2 Transporting and storing the boat

Before lifting the boat onto the trailer, make sure that the trailer is suitable for the boat.

Make sure that there is a sufficient number of supports to distribute the weight properly without excessive point loads, and the capacity and dimensions of the trailer are sufficient to carry the boat and its engine, equipment, battery, boating accessories and fuel on board. Pay special attention to exposed areas and edges of hull, such as strakes and steps in the hull, during loading, deloading and transportation.

WARNING

A boat trailer that does not have sufficient capacity or that is poorly maintained can become damaged and cause a danger on the road.

- Make sure that the trailer capacity is sufficient to also carry the weight of the engine, fuel and equipment.

CAUTION

The hull of the boat can be damaged if there is an insufficient amount of supports on the trailer.

The trailer must be a little nose heavy. Make sure that the boat is securely fastened to the trailer, that it cannot move into any direction, and that the side supports provide an even support for the weight of the boat.

Before loading the boat on the trailer:

- Remove any unnecessary weight from the boat.
- Drain the bilge water.
- Adjust the side supports of the trailer so that the most weight rests on the keel supports, and the side supports only offer lateral support.
- Protect the boat by placing suitable padding between the tie down straps and the boat, if necessary.
- See the engine manual for any instructions on trailering.

- Make sure that the doors and hatches are properly closed.
- Pay attention to any equipment and accessories in the boat during trailering.
 - Make sure you secure all loose items in the boat.
 - Do not use a hood, canopy, tonneau cover or other similar top or cover on the boat during trailering.

These hoods and covers can become detached at high speeds and damage the boat and cause a danger to traffic.

A hood or other cover flapping in the wind during trailering can damage the boat surface.

- Keep the hood in its dedicated storage compartment during trailering, or remove the hood completely, if necessary.

6 Operation

The boat owner must take local and international regulations into consideration concerning the boat crew, equipment and handling of the boat. In some countries, a driving license or a separate authorization is required for driving the boat. Special regulations may also apply.

Ensure that the anticipated wind and wave conditions do not exceed the design category of the boat, and that the crew is able to handle the boat in these conditions. Even though the boat is designed for such conditions, they can still be very dangerous. Only a capable, fit and trained crew, using a well maintained boat, can satisfactorily operate in such conditions.

If the boat is fitted with a life raft, carefully read its operation manual. Onboard, the boat must have the appropriate safety equipment according to the boat type and weather conditions. This equipment is compulsory in some countries. The crew must be familiar with the use of all safety equipment and the most important actions in different emergency situations. Sailing schools and clubs regularly organize rescue drills.

The equipment in the boat may differ from the equipment used in the figures in this manual. This might be due to any optional equipment chosen or modifications made after producing this manual. In such cases, contact your local dealer for the operation instructions and additional information regarding the operation of the equipment in question.

Always maintain the boat properly and make allowance for the deterioration that occurs over time and as a result of heavy use or misuse of the boat. Any boat, no matter how strong it may be, can be severely damaged if not used properly. Inappropriate use of this boat not compatible with safe boating is not allowed. It is always important to adjust the handling of the boat to the sea conditions and own boating experience. The gelcoat parts, especially the colored parts, need to be polished and waxed approximately every fourth months to prevent the parts from fading or getting other visual defects.

6.1 Handling devices

6.1.1 Steering console

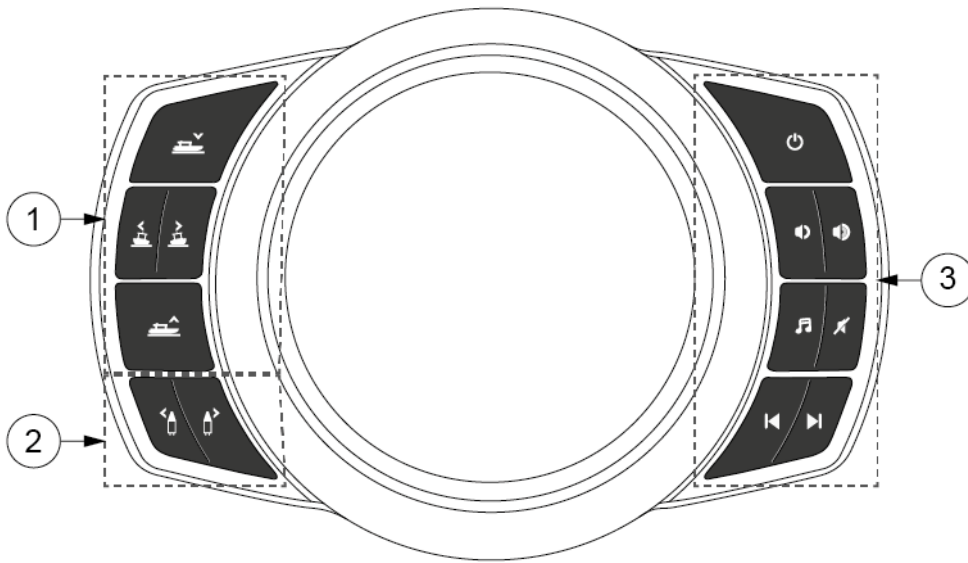
The controllers are situated so that the driver can easily manage them from the steering console.

The location and quantity of the devices depend on what optional equipment and engine models have been chosen. See the device manuals for further information on the devices.

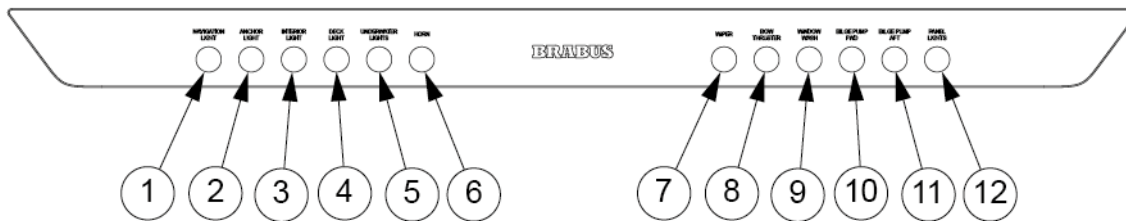


- (1) Steering console switch panel
- (2) Chart plotter
- (3) Mercury display
- (4) Active trim control
- (5) VHF radio
- (6) Radio/media controls
- (7) Ignition key and dead man's switch
- (8) Engine remote control

6.1.2 Steering console switch panel



- (1) Trim tab switches
- (2) Bow thruster switches
- (3) Mediaplayer switches



- (1) Navigation lights
- (2) Anchor lights
- (3) Interior lights
- (4) Deck lights
- (5) Underwater lights
- (6) Horn
- (7) Wiper
- (8) Bow thruster
- (9) Window light
- (10) Forward bilge pump manual use
- (11) Aft bilge pump manual use
- (12) Panel lights

6.1.3 Windscreen wipers

The boat's windscreen wipers are controlled by the switches in the boat's steering console.

A switch for the windscreen washer is installed next to the switch for the windscreen wipers.

The windscreen wash-fluid tank is located beside the fresh water tank.

6.1.4 Steering system

The steering system is one of the most vital systems related to safe boating.

The boats are equipped with a hydraulic steering system with the alternatives of power steering and non-power steering systems. Please refer to the collateral manuals provided by the outboard engine and steering system manufacturer included in the manual package provided with the boat.

The non-power steering system consists of a steering wheel, a helm pump, a hydraulic hosing, and a hydraulic steering cylinder.

The power steering system includes a steering pump to help with the handling of the vessel.

6.1.4.1 Checking and topping up oil

Effective and properly working steering is crucial for the safety of the boat.

- Check the oil level in the pump before casting off.
- For detailed instructions and the steering system oil recommendation, see the manufacturer's documentation.

6.1.4.2 Steering maintenance

For the regular maintenance of the steering system components, please refer to supplier's manual.

If you encounter issues beyond regular maintenance needs, please contact your boat dealer immediately for service.

6.1.5 Throttle lever

The engine throttle and shift are controlled by the electronic throttle lever. To start the engine, the lever must be in the neutral position. The throttle lever is used to control the engine's RPM which affects the speed of the boat.

Moving the lever forward shifts engine into the forward gear, and moving the lever backwards shifts the engine into the reverse gear. Progressively moving the lever in one direction will increase the speed of the boat in that same direction.

For detailed guidelines about safe boating and component maintenance, please refer to the provided outboard engine literature. If you encounter issues beyond regular maintenance needs, or if noticeable failures occur, please contact your boat dealer immediately for service.

⚠ WARNING

Always make sure no one is close to the propeller when starting the engine or engaging the propeller! Acknowledge the information provided on the helm's warning labels.

6.1.5.1 Trim and tilt

The engine can be raised or lowered with the trim controls in the throttle lever.

Raising and lowering the engine is needed when trailering or launching the boat. Adjusting the trim angle of the engine also allows optimizing the run angle for the boat to achieve optimal performance or fuel efficiency.

Refer to the supplier's manuals for detailed operation instructions, maintenance, and warranty information.

6.1.6 Starting the engine

See the engine manufacturer's manual for engine information.

1. Set the engine lever in neutral.
2. Turn the ignition on and check the fuel level.
3. Start the engine by turning the ignition key.
4. Check that the gauges for oil pressure and volt meter show normal values.
5. Run the engine to operating temperature at idling speed. Never rev up a cold engine.

⚠ DANGER

Risk of carbon monoxide poisoning.

Be aware of the risks with engine exhausts. For example, under turbulence or disadvantageous wind conditions, exhaust can enter the boat. If this happens, avoid idling the engines. If these problems occur under way, do not open the hatches and ventilators, as it can worsen the problems. Instead, you may try solving the problems by changing the boat's speed or weight distribution.

⚠ WARNING

Never step onto the swim ladder when the engine is running. Stop the engine while the steering and propeller are being inspected.

⚠ WARNING

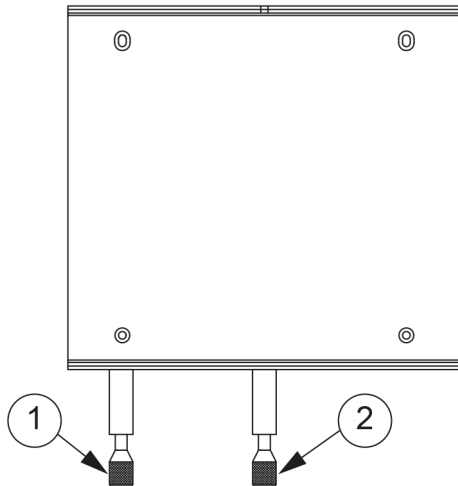
Do not operate this boat with an engine that exceeds the maximum engine power recommended by the manufacturer.

6.2 Swivel seat - Driver and passenger seats

The driver and passenger seats are operated with locking handles.

⚠ DANGER

The locking handles must be in the locked position before the boat speed exceed 5 knots.



- (1) Rotation locking handle
(2) Moving locking handle

- For the rotating function, press the locking handle down to release the lock.
This allows you to rotate the seat on the post.
- For the moving function, lift the locking handle up to release the lock.
This allows you to move seat from back to front.

6.3 Inspecting the boat

Due to safety reasons, the below listed inspections must be carried out before and after using the boat.

6.3.1 Checklist: Regular inspection before leaving harbor

Safety

Make sure that:

- All the people onboard have life jackets.
- The wind and wave conditions do not exceed the design category of the boat.
- The dead man's switch is switched to driver.
- There is a fire extinguisher (or several) onboard and their approval/inspection date has not expired.
- The needed ropes and anchor are onboard.

Draining and tightness

Check that:

- There is no water in the bilge.
- All the bilge pumps are functional.
- The bilge has no signs of fuel or oil leaks.

- The deck drain system is clean and the valves are open.
- All deck hatches are tightly closed.

Electrical and engine

Check that:

- All the fuses are intact.
- The main switches are switched on.
- The batteries have enough power.
- The engine works properly.
- The engine cooling water flows as expected.
- The fuel level is sufficient.

WARNING

The specified tank capacity is not necessarily fully available, depending on the trim and load on board. The tank must always be kept at least 20% full.

6.3.2 Checklist: After using the boat

Make sure that:

- The main switches are switched off.
- The septic tank discharge valve is closed.
- There is no water in the bilge.
- The bilge pumps are functional.
- The deck draining works properly and all the draining valves are open.
- All deck hatches, roof canvas and doors are tightly closed.

6.3.3 Notes for sunny conditions for Black OPS boats

The boat requires special attention when it is used in hot and sunny conditions.

In the construction of our boats, we use a high quality Premium Topcoat yacht paint for aesthetic high gloss finish and durability.

If you have selected this coating in a dark color, such as Gunmetal Grey or similar, it is of paramount importance that you are aware of certain maintenance considerations when using your boat in high temperature, high UV or environments exposed to extreme direct sunlight.

Failure to adhere to these guidelines may result in negative issues experienced on board as also voiding parts of the warranty of the boat.

Prolonged conditions of the boat being exposed to direct sunlight upon dark painted surfaces should be avoided as much as possible and care should be taken in environments where ambient temperatures regularly exceed 30 degrees Celsius (86 degrees Fahrenheit), areas near the equator, or where UV radiation is considered strong.

Potential negative impacts in such conditions may include:

- Comfort onboard due to raised ambient temperatures of dark painted surfaces
- Raise of surface temperature on dark painted surfaces to uncomfortable levels

- Decreased air conditioning capacity (if installed)
- Efficiency of refrigerators onboard may be limited, which may cause higher power consumption

⚠ CAUTION

In the most extreme conditions, skin burns may result from direct contact with painted surfaces.

Protecting

When the boat is left stationary for a period more than 24 hours, the boat must be protected with the provided Planofil UV protective covers in high temperature conditions stated above.

We recommend that the boat is covered at all times when not in use.

Potential risks if these conditions are not adhered to may include (but are not limited to):

- Damage, cracks, blisters, scratches or fading of the coating and painted surfaces.
- Increased maintenance costs.
- Color change in seating and upholstery materials.
- Deformation or cracks in hatches, bonding areas of deck and hull, carbon fibre and console parts.
- In worst cases, GRP top surface layer delamination.



Any damage or injuries resulting from failures to undertake the outlined maintenance and precautions, or issues that could have been avoided, are not covered under warranty.

6.4 Handling the boat

6.4.1 Checklist: Boat handling before leaving harbor

For safe navigation under all weather conditions, proper sound signaling equipment in compliance with regulations (COLREG, 1972) must be carried on board. Make sure that the sound signaling equipment on the boat is compliant with these regulations.

⚠ CAUTION

According to national regulations in some countries, it is a legal requirement to wear a life vest at all times.

- Check that the boat and its equipment are in seaworthy condition.
- Always listen to long-term weather forecasts when planning longer trips.
- Always make sure there is enough fuel and freshwater in the tanks.
- Check that all items on board are properly stowed and adequately secured to manage rough sea and wind conditions.
- Make sure that the swim ladder is raised out of the water before moving off.
- Make sure that the steering is correctly positioned before starting.
- All persons on board must wear an appropriate life vest when on deck.

6.4.2 Leaving the jetty

Before casting off, consider how to best leave the jetty.

- Check what the wind direction is.
- Using a bow thruster, move the bow out and then engage the propeller.
- If the boat has two engines, move away from the jetty by engaging the engine nearer the jetty astern at idling speed and engaging the other engine ahead at idling speed on.
- The boat will swing out from the jetty astern. As the bow will move against the jetty, fend off properly.

With only one engine this can be a little more challenging, especially if the wind is pressing the boat firmly against the jetty, you have to use a spring to get the stern out.

- Firmly fend off the bow from the jetty.
- Take a line from the bow around a bollard or cleat, so that it can be easily let go.
- Engage idling speed ahead and turn the rudder so that the stern glides out from the jetty.
- When the boat has reached a position, where it can safely be reversed, release and retrieve the line, quickly center the rudder and engage astern.

CAUTION

Gather in all lines and fenders while you are still in sheltered water. A rope around the propeller can disable a boat.

6.4.3 Driving the boat

Going out in a motor boat involves responsibility not just to those on board, but also to others we meet on the water. Showing consideration for others makes boating comfortable. Everyone has the same right to be at sea, whatever kind of boat they go afloat in.

The physical laws that apply to a boat are rather different from, for example, those affecting a car, as are the possibilities of controlling it.

You can influence a boat's behavior and the level of comfort on board primarily by adapting the speed to the prevailing sea conditions and by the intelligent use of the trim tabs. A planing boat rides almost level in the water at maximum speed. As the speed of the boat is reduced the trim angle increases and the bow rises slightly. This is normal, and is a prerequisite for good performance.

6.4.3.1 Dead man's switch

If the boat is equipped with a dead man's switch, attach its lanyard to yourself immediately after detaching the mooring lines. For more detailed instructions, see the engine manual.

It is very important that the boat stops if you for some reason fall overboard or stumble on board, particularly if you are alone. However, remember to detach the lanyard from your wrist before docking or beaching operations to prevent the engine from stopping unintentionally.

6.4.3.2 Driving at high speed

Although the boats have passed the CE requirements for swerve tests at full speed, BRABUS Marine does not recommend making sharp turns at high speed. When exceeding a certain speed limit any hull construction might lose its grip. This might lead to passengers hurtling out of the boat, especially in a single engine configuration.

- Do not use the boat if it has an engine with a higher power rating than indicated on the capacity plate.
- Do not drive the boat at high speed if the engine's rig angle is negative (bow down).
- Do not drive at full speed on congested waterways or if the visibility is limited because of weather conditions or waves.
- Reduce your speed and wake as a matter of courtesy, and also for the safety of yourself and others.
- Observe and obey speed limits and prohibitions associated with a swell.
- Follow the rules of navigation and the requirements of COLREG (Convention on the International Regulations for Preventing Collisions at Sea).
- Always make sure that you have the space needed for avoiding collisions and coming to a halt and for evasive maneuvers.
- Always use a dead man's switch if available.
- Reduce speed in high seas for increased comfort and safety.
- Learn the boat's speed potential. Utilize this knowledge for economical and safe cruising.
- Avoid using high speed along with large rudder movements when going astern, because that places great strain on the rudder and steering mechanism.
- Avoid sudden steering maneuvers at high speeds.
- Avoid staying in the bow area when driving at high speeds.

Avoid sudden changes in travel direction at high speed. Let the boat come to a stop, and the engine rev down before shifting between forward and reverse. Otherwise excessive strain is put on the engine, which could cause the engine to stop. In the worst case, sea water may enter the engine.

A right-handed propeller rotates clockwise and a left-handed propeller anti-clockwise, seen from the stern. The rotation of the propeller is critical for steering the boat. The right-handed propeller pushes the stern of the boat to starboard when the engine is engaged ahead and to port when it is going astern. The direction of rotation of the propeller has a major impact on the turning radius. A right-handed propeller gives a smaller turning radius to port than to starboard. This is called the propeller's paddlewheel effect.

The boat's propellers have considerable propulsion power that provides powerful acceleration. Take this into consideration to avoid dangerous situations arising from this.

DANGER

A revolving propeller is life-threatening to a swimmer or a person who has fallen overboard.

Use the dead man's switch and turn off the engine when someone is climbing on board.

6.4.3.3 Driving in rough seas

Never go out in rough seas, if you are uncertain whether the boat and those on board can cope. Follow these simple rules.

- Be well prepared.
- Remember to secure loose equipment.
- Always have a sea anchor and other emergency equipment easily accessible.
- Avoid breaking seas that can appear close to land and over shallows.
- If there are significant waves, always reduce speed to guarantee the safety of the persons on board.
- Use the trim tab to trim the bow down to reduce hull slamming in a head sea.

In a head sea

- Adjust speed to suit the size of the waves.
- Adjust the trim angle to the size of the waves. Avoid taking seas beam on.

In a following sea

Remember to keep the bow high in a following sea. Avoid crashing through waves, maintain low speed. If necessary, deploy the sea anchor to reduce speed.

Planing boats can be particularly exposed in rough following seas. The stern of the boat rises and the rudder does not answer, so the boat broaches while the bow cuts down into the sea.

6.4.3.4 Maneuvering in narrow channels

When maneuvering the boat in narrow channels, the engine speed must be kept as low as possible so that maneuvers are calm and steady.

In difficult wind and current conditions, more revs might be necessary to make full use of the power of the engine. In these conditions, it is important that maneuvers are made quickly and precisely to prevent the boat from drifting into trouble for example.

A good rule before starting a maneuver under difficult conditions, is to think through the different situations which could arise. Pay attention to the wind and current conditions and decide in advance which maneuver you will make. It is also important to brief crew members on what they need to do in different situations.

Always keep in mind that the stability of the boat may be reduced when towing.

⚠ CAUTION

Even a nonslip molding can be slippery to walk on when the deck is wet.

6.4.4 Visibility from steering position

The International Regulations for Preventing Collisions at Sea (COLREG) demand that a proper lookout is kept at all times, and the *right of way* rule is followed.

The following factors can considerably reduce visibility, among other things:

- Gear trim angle
- Trim tab angle
- Load and load position
- Speed

- Rapid acceleration
- Changeover from displacement speed to planing
- Sea conditions
- Rain and thunderstorms
- Darkness and fog
- Inner lighting when under way in the dark
- Position of curtains
- People and equipment that block the driver's view.

⚠ WARNING

Make only small adjustments at a time. Holding down the button for the trim tab for any length of time can result in partial loss of control of the boat.

6.4.5 Using the trim tabs

A boat does not need trim tabs to get up on the plane or to give good performance. However, trim tabs are a very useful aid when used correctly.

There are two situations in particular where the trim tabs need to be used:

- When it is desirable to trim the bow down in a rising sea and at speeds between going up planing and cruising speed.
- When running with a strong beam wind.

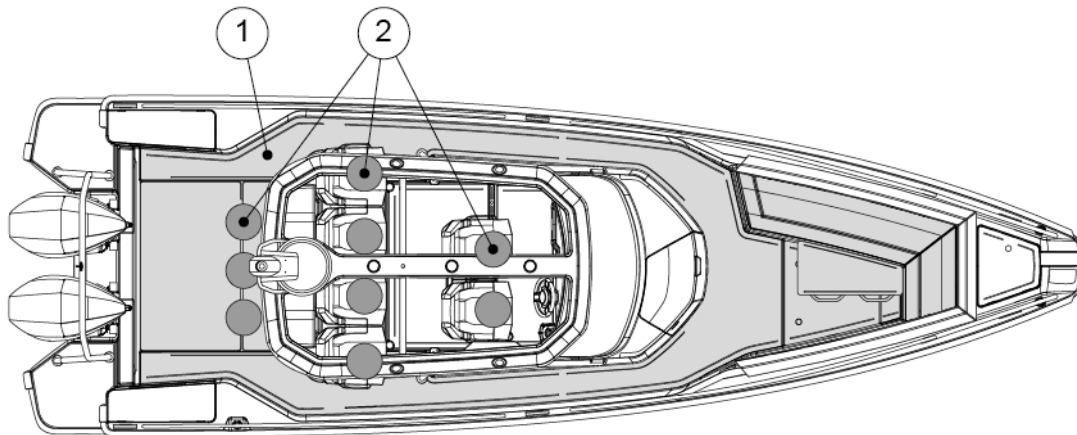
A planing boat always leans into a strong side wind. This reduces the boat's seakeeping qualities, which is why listing to one side needs to be eliminated as far as possible. Lowering the trim tab on the windward side brings the boat back into normal attitude.

For trimming the bow down, both trim tabs are used in parallel. Begin by retracting both trim tabs completely, then lower both of them a little at a time, so that you retain complete control over how the boat is affected. When running with a following sea, both trim tabs always need to be fully raised. The reason for this is that boats have a tendency to "dive" in a strong following sea, which can result in uncontrollable slowing. Therefore you must run the boat with a high bow angle in a following sea.

6.5 Preventing falling overboard

The boat's working decks are areas where people can move about when the boat is being maneuvered.

The working deck area is shown in grey in the figure.



- (1) Working deck area
- (2) Seats

Do not sit, stand or spend time in other parts of the boat while the boat is under way.

Moving about in the aft part of the aft deck and on the front deck while the boat is under way is not recommended.

Keep the gates in the flat aft deck area closed while the boat is under way.

If a person has fallen into the water, the easiest way to get back on board is to use the swim ladder. The ladder can be pulled down also from the water.

Staying on deck

⚠ WARNING

Staying in the bow of the boat is not recommended in speeds exceeding 30 knots.

⚠ DANGER

A revolving propeller is life-threatening to a swimmer or a person who has fallen overboard.

- Use the dead man's switch.
- Turn off the engine when someone is climbing on board.



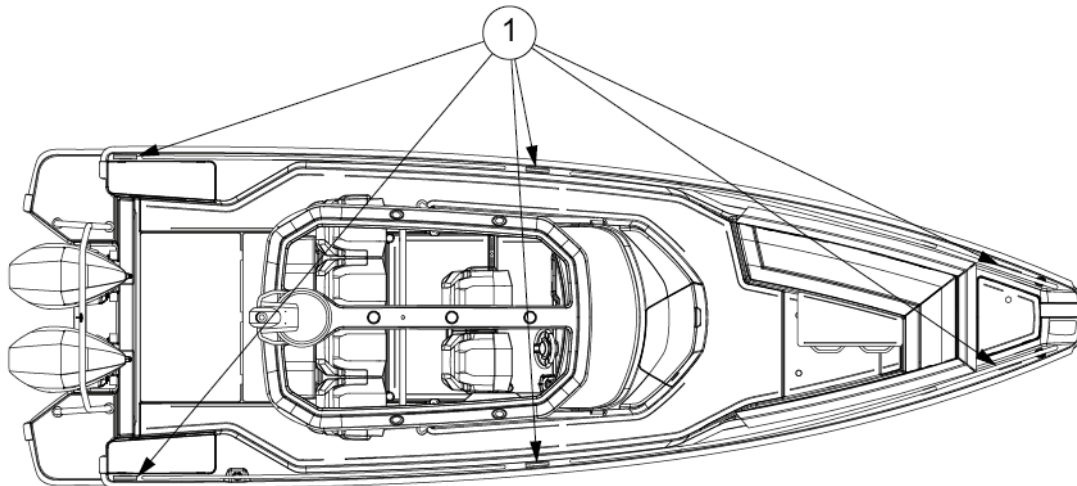
If the sun deck cushions or the front deck table are in place, observe the maximum speed of 15 knots to avoid the cushions or table detaching at speed or in high waves.

6.6 Anchoring, docking and mooring

6.6.1 Fastening points

Fastening points (or cleats) are located both at the stern, midship and bow.

- When anchoring or towing, the forward force is 32,2 kN.
- When mooring the forward force is 26,3 kN.
- When mooring the rearward force is 22,5 kN.



(1) Fastening points

6.6.2 Docking

Always brief your crew how you are planning to dock. Fenders and at least one mooring line fore and aft must be in place before approaching the jetty.

It is always easiest to dock against the wind. Try to hold the bow exactly into the wind and maintain sufficient speed for the boat to answer the rudder. If the bow is blown off in one direction, back out and repeat the maneuver. Bring the bow up to the jetty, and make sure you get a line ashore quickly.

Docking with a side wind is a little more difficult. Do not steer parallel to the jetty letting the boat blow in as there is always a risk of the bow being blown off towards other boats or the jetty. Instead, try to maneuver the boat so that the wind comes directly from astern. Then the boat can be maneuvered straight ahead since the wind helps hold the boat on a straight course. It is good to have someone on the foredeck that can go ashore and quickly turn the bow in the desired direction after the boat has stopped completely.

Try to always avoid sharp movements of the throttle, since idling speed in ahead and astern is generally adequate. Sharp movements of the throttle can lead to panic maneuvers.

⚠ CAUTION

The tensile strength of the lines or chains should normally not exceed the strength of the fastening point in question.

6.6.3 Checklist: Before anchoring

1. Check the chart to see if anchoring is permitted in the area.
2. Listen to the weather forecast for the area and take note of the expected wind conditions.
3. Switch on the echo sounder.
4. Study the seabed conditions and make sure that there is good holding ground.
5. Check that the safety chain has been released from the anchor.
6. Wait until you have reached the intended anchoring point before lowering the anchor.
7. Let out the anchor line equal to at least three times the depth of the water.
8. Put the engine in astern to check that the anchor has taken hold (only when bow anchoring).
9. Note your position on the GPS. Regularly check that the boat has not moved from its position.
10. Set the echo sounder to "Anchor Watch".

⚠ WARNING

Always fix the anchor in such a way that it is securely fastened onto the boat. An anchor that falls off when under way may cause serious damage to the boat and mortal danger to the crew.

6.6.4 Towing and mooring

⚠ CAUTION

When towing another boat or being towed, always drive slowly. If the boat you are towing is of the displacement hull type, never exceed its hull speed.

- Always attach the tow line so that it can be detached under load. It is the owner's and users' responsibility to ensure that the mooring lines, towing lines, anchor chains, anchor lines and anchors are adequate for the vessel's intended use.
- Always remember that the stability of the boat may decrease when being towed.

7 Maintenance

7.1 Cleaning and maintaining the gelcoat surface

The gelcoat surface of the boat is subjected to environmental conditions which can, under certain circumstances, lead to deterioration of the surface. Overtime, these external factors such as saltwater, high UV exposure and temperature variation, can have an effect on the gelcoat surface.

Generally, gelcoat should last 3 years without showing any significant signs of yellowing, chalking, or other deterioration in typical conditions.

NOTICE

Clean and maintain regularly all the gelcoat surfaces on the boat.

If the regular cleaning and maintenance is neglected, or if the boat is exposed to certain environmental conditions where it is berthed, deterioration of the surface finish such as fading, discoloration and brittles may become visible over time.

- Wash and clean the boat after every trip, and weekly if it is stored outside uncovered.
- Wax the boat twice a year if used all year, otherwise annually.
- Inspect the gelcoat surface annually for signs of deterioration, such as brittle surfaces or changed color tones.
- Small scratches or discolorations can be fixed by buffing or polishing.
- Severe scratches, discoloration or oxidation may require wet sanding before buffing, polishing and waxing.

Wet sanding is recommended to be performed by a BRABUS Marine dealer or a trained professional.

- When the boat is not in use, keep the gelcoat surface out of the sun or cover the boat with a canvas tarpaulin.

Do not use plastic or other non-porous materials, which can trap moisture between the cover and the surface.

Washing

NOTICE

Use a cleaning product specially made for boats. Do not use household cleaning products, chlorine, acids or similar as they may damage the boat surface due to their improper pH value.

Wash the boat after every trip by using a mild cleaning product. Dilute the cleaning product with fresh water according to the instructions on the product label.

1. Rinse the deck and hull with fresh water to remove loose dirt.
2. Wash the surfaces with the diluted cleaning product and a soft-bristled brush.
3. Rinse off with fresh water.

Waxing

Waxing the gelcoat surface restores gloss and protects the finish. Only use wax recommended for gelcoat, and follow the product instructions carefully.

Wax can either be applied by hand using a clean rag, or with an orbital-motion buffing machine.

NOTICE

If using a buffing machine, do not exceed the speed of 1200 rpm. Using a higher speed may burn the gelcoat.

NOTICE

Do not wax a gelcoat surface in direct sunlight.

1. Apply wax and wait for a few minutes until the wax looks dry.
2. Buff the wax either by hand using a clean rag, or by using a buffing machine.
Buff in circular motions until the surface is clean and glossy.
3. Finish by wiping the potential wax residues off with a clean rag.

Polishing and buffing

Small scratches or discolorations can be fixed by polishing and buffing the boat. If the surface has severe discoloration or oxidation, wet sanding is recommended before polishing and buffing.

- Polishing compounds remove small scratches and discolorations.
- Buffing compounds contain abrasive and remove deeper scratches or oxidation.
Buffing compounds can be used, for example, to remove scratches on the hull caused by the fenders.
- After using the buffing compound, use polishing compound to achieve the best possible finish.
- Follow the product instructions of the compound carefully.

Polishing and buffing compounds can either be applied by hand using a clean rag, or with an orbital-motion buffing machine with a polishing pad.

NOTICE

When using a buffing machine, do not exceed the speed of 1200 rpm. Using a higher speed may burn the gelcoat.

NOTICE

Do not polish or buff a gelcoat surface in direct sunlight.

1. Apply polishing or buffing compound on the surface and wait for a few minutes until the compound looks dry.
2. Polish or buff the compound either by hand using a clean rag, or by using a buffing machine with a polishing pad.
Buff in circular motions until the surface is glossy.
3. Wax the surface.

Wet sanding

NOTICE

Wet sanding is recommended to be performed by a BRABUS Marine dealer or a trained professional.

Severe scratches, discoloration or oxidation of the gelcoat surface may require wet sanding. Wet sanding can be done either by hand or by using a machine.

NOTICE

When using a machine, do not exceed the speed of 1200 rpm.
Using a higher speed may burn the gelcoat.

NOTICE

Do not wet sand a gelcoat surface in direct sunlight.

1. Spray water to the area that needs to be sanded.

NOTICE

Keep the surface continuously moist while sanding.

2. Sand the surface with a 1000 grit sandpaper (for example Mirka Abralon).
If you use a machine, use a low rpm speed to get the best result.
Keep sanding until the entire surface is equally matt.
3. Sand the surface with a finer 1400 grit sandpaper.
4. Sand the surface once more with an even finer-grit sandpaper.
This saves time in the buffing and polishing stage.
5. After sanding, when the surface looks equally matt, rinse the surface with fresh water and allow to dry.
6. Buff and polish the surface to get the gloss back.
7. Wax the surface.

7.1.1 Maintenance notes

The boat requires a certain amount of maintenance. This is especially relevant for external parts which are exposed to sun and salt water.

A proper maintenance of your boat contains the following:

- Wash the boat with fresh water regularly.
- If the boat is used throughout the year, polish the hull approximately every fourth months.
- Polish the stainless and chromed parts with chrome polish.
- Clean the aluminium parts with fresh water. Add soap to the water, if necessary.
- Rinse the cover with fresh water. Allow to dry thoroughly before folding away.

- Clean and maintain teak surfaces with products that are made for that purpose.
Over time, the teak deck takes on a satin grey appearance, if not maintained.
- Clean a composite deck with a soft brush and a mild soap solution.
- Avoid using aggressive cleaning agents.
- If the boat is stored or docked in an environment where there are noticeable hard air conditions, for example, near harbours, in lively sea routes, highways and power stations, you have to pay special attention to the RST parts of the boat.

This kind of air conditions can cause premature corrosion to the RST parts and damage to gelcoat surfaces.
- Polish and wax RST and gelcoat parts (especially coloured gelcoat parts) approximately every fourth month so that the parts will not face fading or other visual defects.

7.2 Antifouling

Painting your boat's hull with antifouling paint is worth considering if your boat is most of the season in water.

Boats that are frequently lifted out of the water and relaunched during the boating season can be affected by antifouling oxidization. Out-of-the water, antifouling paint will oxidize, which will prevent the biocide release and slowly cause antifouling to lose its effectiveness. Follow the paint manufacturer's specifications for launching window.

Antifouling wears gradually over time, depending on factors such as the location where the boat is used and how often the boat is used. As a rule of thumb, antifouling lasts one season once applied. When the antifouling needs to be repainted, it is important to use the same antifouling paint as the existing antifoul, or to scrub off old antifouling paint down to gel coat. If different antifouling paints are used, there is a risk that the composition of the paints are incompatible, preventing the antifouling paint from working.

Contact your nearest BRABUS Marine dealer in antifouling repainting and condition inspection related matters.

7.3 Maintaining the interiors

7.3.1 Wooden interiors

The interior details of the boat, such as the locker doors and drawer fronts and wooden strips, are made of oiled wood.

- Clean the wooden interior details with a damp cloth and a small amount of soapy water.
- Treat the wooden surfaces again every year to protect the wood.

7.3.2 Plastic and painted surfaces

1. Wet the surface evenly with water before the actual cleaning.
2. Remove stains.
 - Remove regular stains with a brush and a lightly diluted cleaner.
 - Remove grease with a brush or a sponge and window cleaner.
3. Clean the surface afterwards with sponge and water.
4. Wipe dry with a piece of cloth.

7.3.3 Fabrics

The interior fabrics are washed according to separate washing instructions (marking on the fabric).

In case the marking is not visible:

1. Wash in 40°C with a light spin cycle.
2. Hang to drip dry.

The material may slightly shrink. If you want to avoid shrinking, take the fabrics to a dry cleaner.

7.3.4 Doors and hatches

- Clean the tracks of sliding doors and hatches regularly and lubricate, if necessary.
- Lubricate handles and locks with regular lock lubricant.

7.4 Maintaining the cover



New covers may leak initially, as the seams need to swell.

During use

To prevent quick deterioration of the cover, secure it tightly in a folded-up position to prevent flapping.

After use

NOTICE

- Hang to dry. Never use a drying cabinet or iron to speed up drying.
- Check that the cover is completely dry before stowing. Stowing a moist cover can cause mold damage.
- Store the cover in dry indoor conditions for the winter.
- The cover must not be stored in the boat.

7.4.1 Cleaning the cover

The cover needs to be thoroughly cleaned two or three times a year.

NOTICE

Never use high pressure washers or chemical cleaning agents.

1. Let the fabric cover soak for at least 24 hours.
2. After soaking, wash the inside and outside of the cover with a sponge or a soft brush.
Use mild soapy water and plenty of water, max. 30°C.
3. Rinse thoroughly with freshwater.
Mix 12% vinegar in the final rinsing water to neutralize the soap residues.
4. Hang the cover to drip dry.

7.5 Protecting underwater metal parts

Boat's underwater metal components, such as thru-hulls, seacocks, trim tabs, engine internal components and propellers, are subject to electrolytic corrosion. Electrolysis and galvanic corrosion (corrosion of dissimilar metals in salt water) can occur in marine environment due to external factors such as stray currents, polluted waters, or proximity of other vessels. It is important for boat owner to be aware of the phenomena, as they can cause serious deterioration over time.

Signs of electrolytic corrosion are, for example, white, powdery substance on exposed metal such as propellers or breakers, or thru-hulls and seacocks turning greenish. If the corrosion has progressed far, even deep pitting can appear on the part's surface.

The boats are equipped with sacrificial anodes to protect the metal parts from galvanic corrosion. Additionally, boats equipped with shore power have galvanic isolators to stop low voltage currents from flowing through the boat.

All underwater metal parts need to be inspected annually for signs of corrosion. Additionally, underwater thru-hulls and seacocks are recommended to be replaced every 5 years. Please refer to chapter [Preventing corrosion](#) for more details.

7.6 Preventing corrosion

Sacrificial anodes are installed on the boat's trim tabs and engines to protect metallic parts from corrosion damage. The anodes need to be replaced regularly as they wear out to protect other metallic parts.

- Inspect the anodes monthly.
- Replace them when approximately fifty percent of the anode has deteriorated.

In general, anodes need replacement once a year in fresh water, and more frequently in saltwater environment. If there is an increase in the consumption speed, it can be a sign of electrical issue and the root cause should be investigated.

7.7 Preventing frost damage

- The bilge pump system is fitted with a water lock on the hose.
 - Detach the hose and fully drain the water from the water lock and run the pumps dry. Otherwise the pumps may freeze and break.
- Unscrew the frost plug on the underside of the shower fittings.
 - If there is no frost plug, unscrew the shower hose.
- Drain the water tank and all other components containing water in order to avoid frost damage.
- Run the freshwater pump dry to drain out all the water.
- Make sure that no water remains in the boat under any circumstances. Leave the hatches in the cabin partially open.

7.8 Checklist: Before winter lay-up

- Wash the hull and bottom immediately after lifting the vessel out of the water.
- Wash all parts inside, also under the floorboards.
- Leave all lockers, drawers, and cabin and wardrobe doors open.
- Remove the carpets.
 - Store the carpets and cushions indoors in a dry place.
 - If this is not possible, make sure that the cushions are dry and position them on their side.
- Disconnect and service the fridge.
 - Switch off the power and disconnect the power supply.
 - Defrost the fridge.
 - Clean and dry the exterior and the interior of the fridge.
 - Empty and dry the condensate water tray.
 - Leave the door slightly ajar to enable ventilation.
 - Check the more detailed instruction in the manufacturer's manual.
- Ensure good ventilation in the boat.

NOTICE

If the batteries are left aboard, make sure they are fully charged, otherwise the batteries can freeze and crack.

7.9 Checklist: Before launching

1. Remove the tarpaulin in good time before launching.
2. Wash the hull with a regular shampoo and a soft brush.
3. Wax the hull, if necessary.
Use a standard boat wax.

4. If there are small scratches on the hull or if some of the surface gelcoat has lost its shine, use a rubbing compound on these areas before polishing.
5. Paint the bottom with antifouling paint.
6. If the batteries have been removed, put them back and check the electrolyte level in the cells.
Check the condition of the batteries.
7. Check all cables, clamps, engine mountings and other fastenings.
8. Check the steering before launching.
9. Check the instrumentation.
10. Close all water drain plugs.
11. Check that the seacocks are tight and in order, check for any frost damage.
12. Check all pipes, hoses and cocks.
13. Make a note of any frost damage.

7.10 Corrective maintenance

7.10.1 Deposits

Mild detergents and fine rubbing compounds reduce the weathering and calcium deposits accumulated on the surfaces.

NOTICE

Do not apply the rubbing compound in direct sunlight.

- Use only a fine grit compound, and follow the label instructions carefully.
- For the best result, wax the surface after treating it with the rubbing compound.

7.10.2 Scratches and nicks

Most scratches and nicks can be removed by using a rubbing compound followed by waxing.

7.10.3 Stains

Most stains can be removed by washing with a mild detergent.

- For stubborn stains, use a fine abrasive household cleanser followed by waxing to restore original luster.
- For non-water-soluble stains, such as grease, oil, and rubber heel marks, use a solvent such as acetone, rubbing alcohol, toluene or xylene, followed by a mild detergent.
 - If these solvents are not effective, try a rubbing compound or fine sanding followed by waxing.

7.10.4 Deep marks, gouges and holes

Deep marks, gouges and holes should be repaired professionally.

Gelcoats can be well repaired by professionals, and in most cases the repair will be undetectable.

NOTICE

In cases where the damage has pierced the gelcoat layer, further exposure to water or chemicals should be avoided.

Failure to observe this precaution may result in extensive and potentially costly damage to the underlying laminate structure.

8 Environment

When handling environmentally hazardous substances such as fuel, oils, solvents, grease, bottom coats, you need to consider the following:

- Always read the instructions for each product carefully and handle the product with care.
 - Make sure that the used packaging, cans and similar items are discarded in designated collection points.
 - If you are in any doubt whether the product is hazardous or not, contact the supplier or vendor of the product.
- The backwash from boats wears down the shoreline and creates problems for other boats near you.
 - Always adjust your speed to the situation and the surroundings to avoid unnecessary backwash.
- Always drive the boat at the most economical engine revs possible, taking the prevailing conditions into account, to avoid unnecessary emissions and noise.
- Make sure that the engine is properly serviced at regular intervals so that noise and emission levels are minimized.
 - Read the engine manufacturer's manual carefully.
- As a boat owner you must be aware of the local environmental laws, and respect codes of good practice.
 - Never empty the septic or black water tank into water.
 - Familiarize yourself with the international regulations on the prevention of marine pollution (MARPOL) and comply with these regulations.

8.1 Requirements for North America

The EPA standards state that in freshwater lakes, freshwater reservoirs or other freshwater impoundments whose inlets or outlets are such as to prevent the ingress or egress by vessel traffic subject to this regulation, or in rivers not capable of navigation by interstate vessel traffic subject to this regulation, marine sanitation devices certified by the U.S. Coast Guard installed on all vessels shall be designed and operated to prevent the overboard discharge of sewage, treated or untreated, or of any waste derived from sewage.

The EPA standards further state that this shall not be construed to prohibit the carriage of Coast Guard-certified flow-through treatment devices which have been secured so as to prevent such discharges. They also state that waters where a Coast Guard-certified marine sanitation device permitting discharge is allowed include coastal waters and estuaries, the Great Lakes and interconnected waterways, freshwater lakes and impoundments accessible through locks, and other flowing waters that are navigable interstate by vessels subject to this regulation (40 CFR 140.3).

9 Appendix I: Checklists

9.1 Checklist: Fire in the engine

- Stop the engine.
- Steer the boat up against the wind, if possible.
- Make sure all passengers have life jackets.
- If necessary:
 - Evacuate the passengers.
 - Call for sea rescue.
- Shut off fuel and main power switches.
- Extinguish the fire.
- Wait until fully certain that the fire has been extinguished before opening the engine cover.
Carefully open the engine cover and be prepared to use the handheld fire extinguisher if necessary for post-fire extinguishing.
- Put out possible smoldering fires with water.

9.2 Checklist: After fire

- Open doors and windows for better ventilation.
- Inspect the boat and its equipment, and repair any damages.
- Contact local authorities, if needed.
- Make sure that the fire extinguishing equipment is refilled or replaced after use.

9.3 Checklist: Regular inspection before leaving harbor

Safety

Make sure that:

- All the people onboard have life jackets.
- The wind and wave conditions do not exceed the design category of the boat.
- The dead man's switch is switched to driver.
- There is a fire extinguisher (or several) onboard and their approval/inspection date has not expired.
- The needed ropes and anchor are onboard.

Draining and tightness

Check that:

- There is no water in the bilge.
- All the bilge pumps are functional.

- The bilge has no signs of fuel or oil leaks.
- The deck drain system is clean and the valves are open.
- All deck hatches are tightly closed.

Electrical and engine

Check that:

- All the fuses are intact.
- The main switches are switched on.
- The batteries have enough power.
- The engine works properly.
- The engine cooling water flows as expected.
- The fuel level is sufficient.

WARNING

The specified tank capacity is not necessarily fully available, depending on the trim and load on board. The tank must always be kept at least 20% full.

9.4 Checklist: After using the boat

Make sure that:

- The main switches are switched off.
- The septic tank discharge valve is closed.
- There is no water in the bilge.
- The bilge pumps are functional.
- The deck draining works properly and all the draining valves are open.
- All deck hatches, roof canvas and doors are tightly closed.

9.5 Checklist: Boat handling before leaving harbor

For safe navigation under all weather conditions, proper sound signaling equipment in compliance with regulations (COLREG, 1972) must be carried on board. Make sure that the sound signaling equipment on the boat is compliant with these regulations.

⚠ CAUTION

According to national regulations in some countries, it is a legal requirement to wear a life vest at all times.

- Check that the boat and its equipment are in seaworthy condition.
- Always listen to long-term weather forecasts when planning longer trips.
- Always make sure there is enough fuel and freshwater in the tanks.
- Check that all items on board are properly stowed and adequately secured to manage rough sea and wind conditions.
- Make sure that the swim ladder is raised out of the water before moving off.
- Make sure that the steering is correctly positioned before starting.
- All persons on board must wear an appropriate life vest when on deck.

9.6 Checklist: Before anchoring

1. Check the chart to see if anchoring is permitted in the area.
2. Listen to the weather forecast for the area and take note of the expected wind conditions.
3. Switch on the echo sounder.
4. Study the seabed conditions and make sure that there is good holding ground.
5. Check that the safety chain has been released from the anchor.
6. Wait until you have reached the intended anchoring point before lowering the anchor.
7. Let out the anchor line equal to at least three times the depth of the water.
8. Put the engine in astern to check that the anchor has taken hold (only when bow anchoring).
9. Note your position on the GPS. Regularly check that the boat has not moved from its position.
10. Set the echo sounder to "Anchor Watch".

⚠ WARNING

Always fix the anchor in such a way that it is securely fastened onto the boat. An anchor that falls off when under way may cause serious damage to the boat and mortal danger to the crew.

9.7 Checklist: Before winter lay-up

- Wash the hull and bottom immediately after lifting the vessel out of the water.
- Wash all parts inside, also under the floorboards.
- Leave all lockers, drawers, and cabin and wardrobe doors open.
- Remove the carpets.
 - Store the carpets and cushions indoors in a dry place.
 - If this is not possible, make sure that the cushions are dry and position them on their side.
- Disconnect and service the fridge.
 - Switch off the power and disconnect the power supply.
 - Defrost the fridge.

- Clean and dry the exterior and the interior of the fridge.
- Empty and dry the condensate water tray.
- Leave the door slightly ajar to enable ventilation.
- Check the more detailed instruction in the manufacturer's manual.
- Ensure good ventilation in the boat.

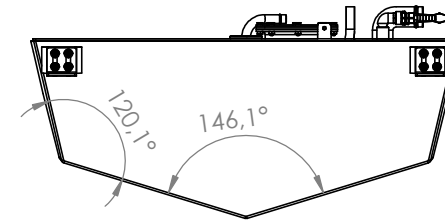
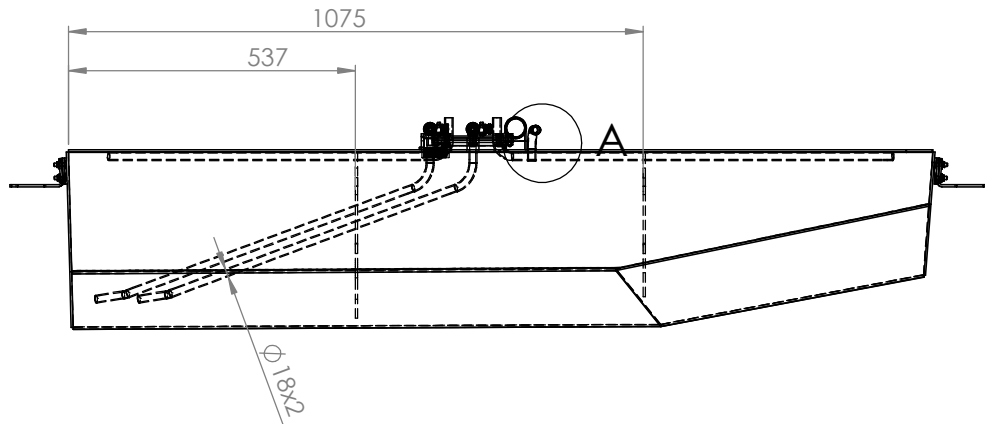
NOTICE

If the batteries are left aboard, make sure they are fully charged, otherwise the batteries can freeze and crack.

9.8 Checklist: Before launching

1. Remove the tarpaulin in good time before launching.
2. Wash the hull with a regular shampoo and a soft brush.
3. Wax the hull, if necessary.
Use a standard boat wax.
4. If there are small scratches on the hull or if some of the surface gelcoat has lost its shine, use a rubbing compound on these areas before polishing.
5. Paint the bottom with antifouling paint.
6. If the batteries have been removed, put them back and check the electrolyte level in the cells.
Check the condition of the batteries.
7. Check all cables, clamps, engine mountings and other fastenings.
8. Check the steering before launching.
9. Check the instrumentation.
10. Close all water drain plugs.
11. Check that the seacocks are tight and in order, check for any frost damage.
12. Check all pipes, hoses and cocks.
13. Make a note of any frost damage.

10 Appendix II: Fuel system



D16 internal ventline
4mm hole in end of tube

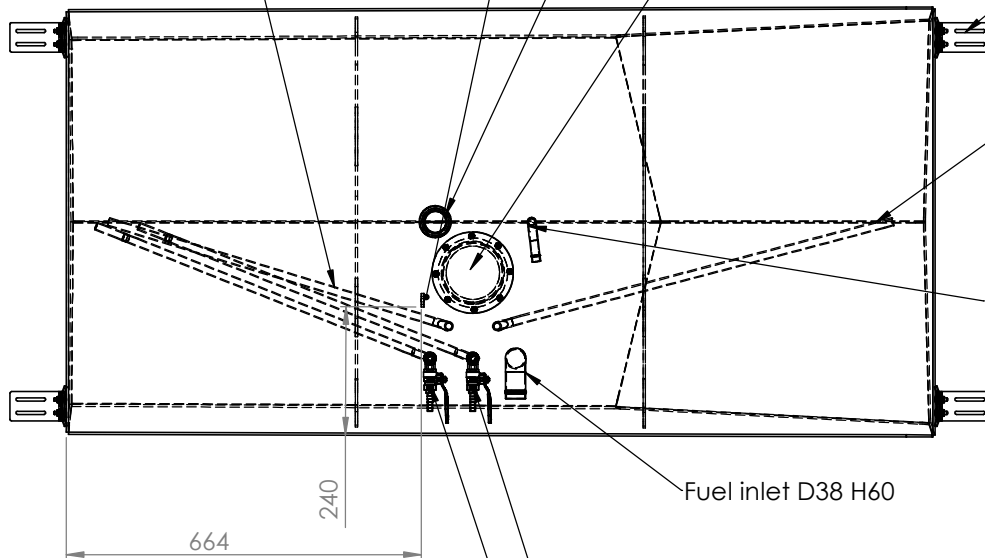
Grounding Bracket

1 1/4" 5mm

AT STD115

4x fixing brackets
Weld jig to be used

Filling vent



D16 internal ventline
4mm hole in end of tube

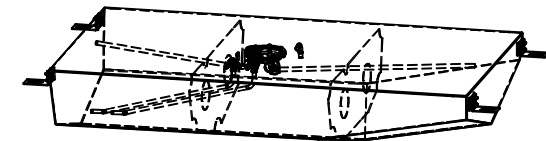
Filling ventline D16
17mm under top
DETAIL A

Fuel inlet D38 H60

3/8" plug (PLUGGED STD)

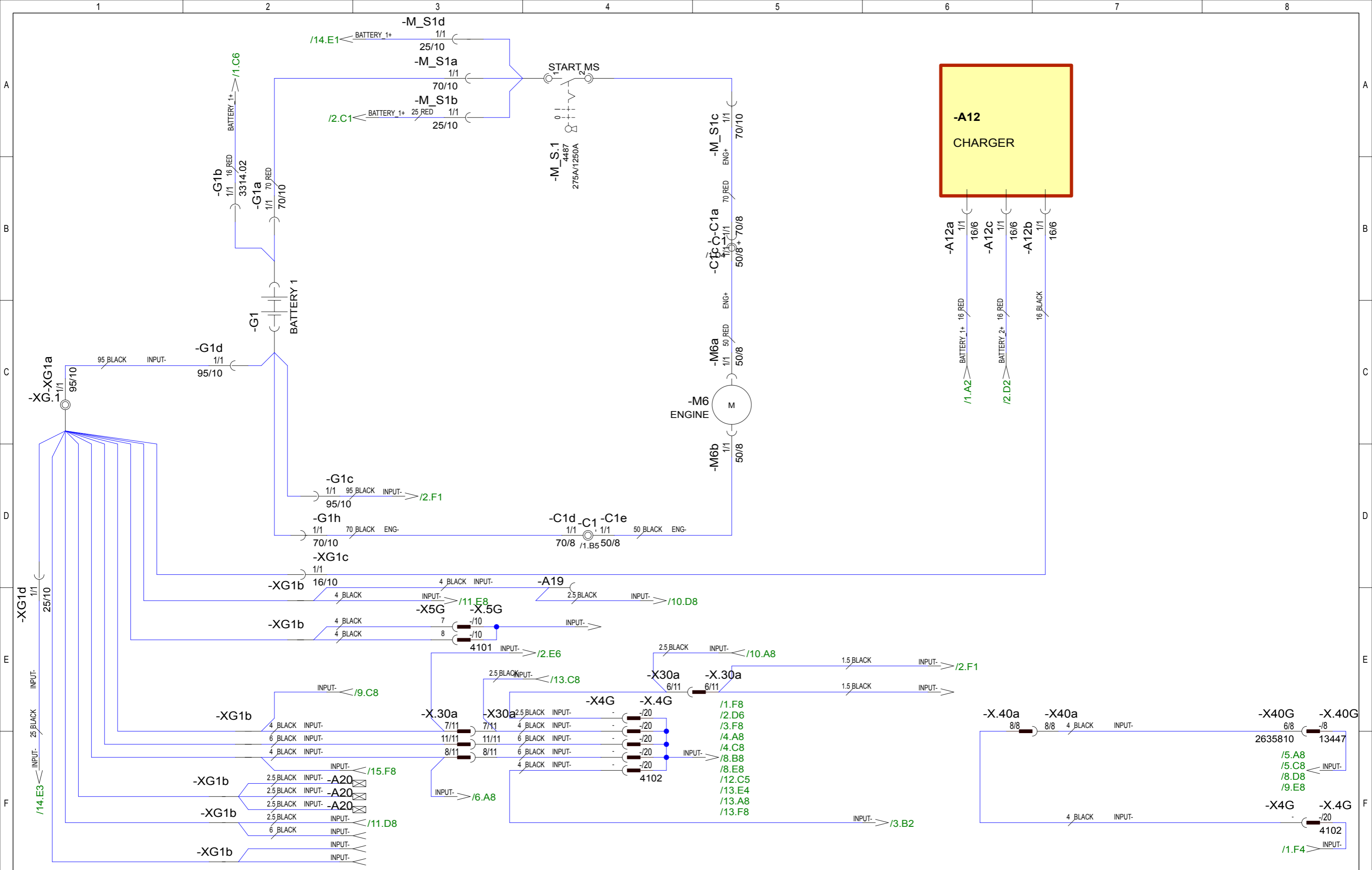
3/8 shutoff valve
13mm hose barb

DETAIL A
SCALE 1 : 5



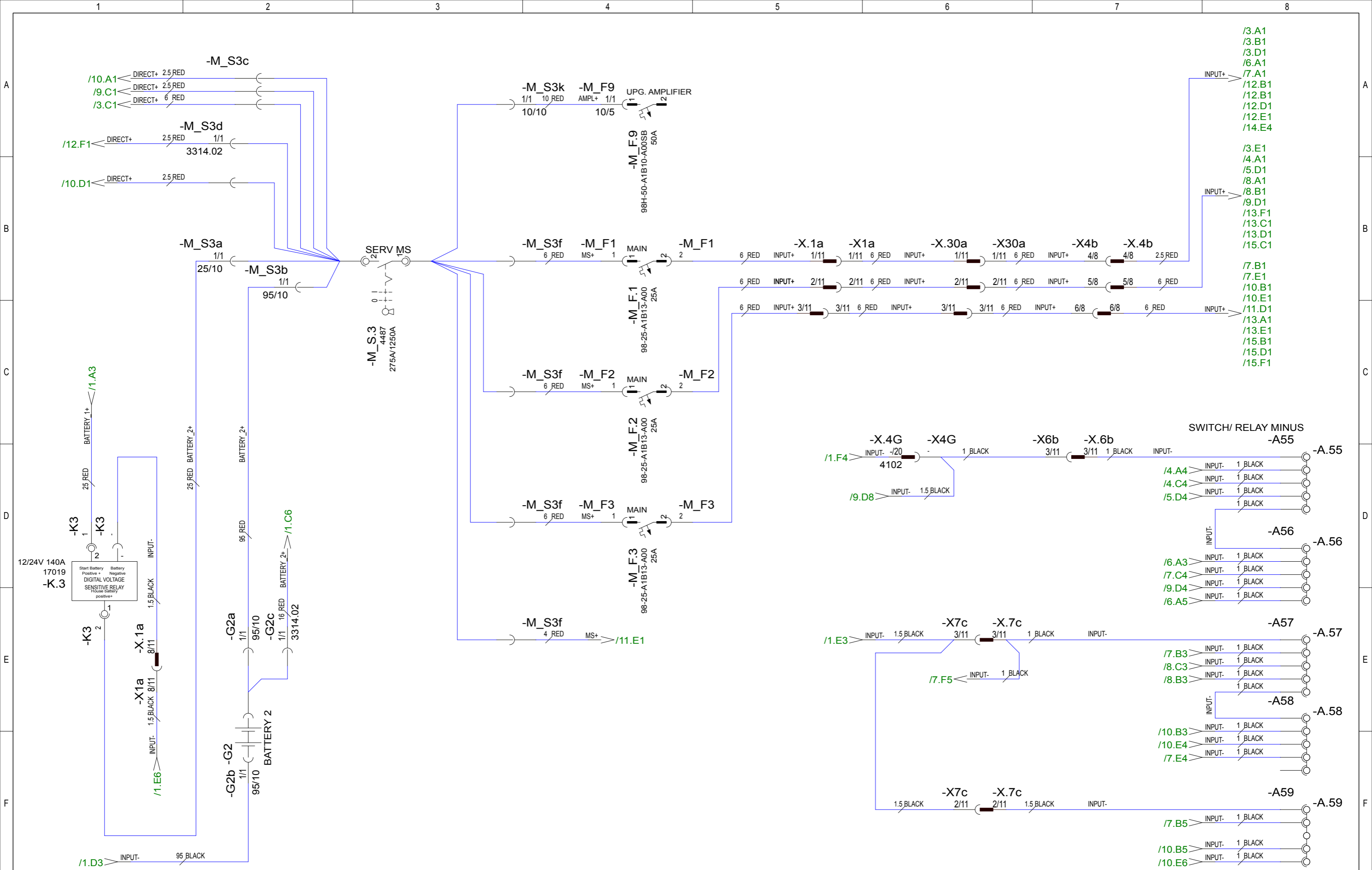
General tolerances SFS-EN 22768-1, SFS-EN ISO 13920		Customer Axopar	Designed by S.Sundfors	Date 22.08.2017
	Mass	Product / Project Axopar 28 EU	Approved by S.Sundfors	Date 22.08.2017
	Scale A3		1:10	Quantity manufactured
 www.alutank.fi			Description Fuel tank AX28 AX81692	Drawing number Rev

11 Appendix III: Electrical diagrams

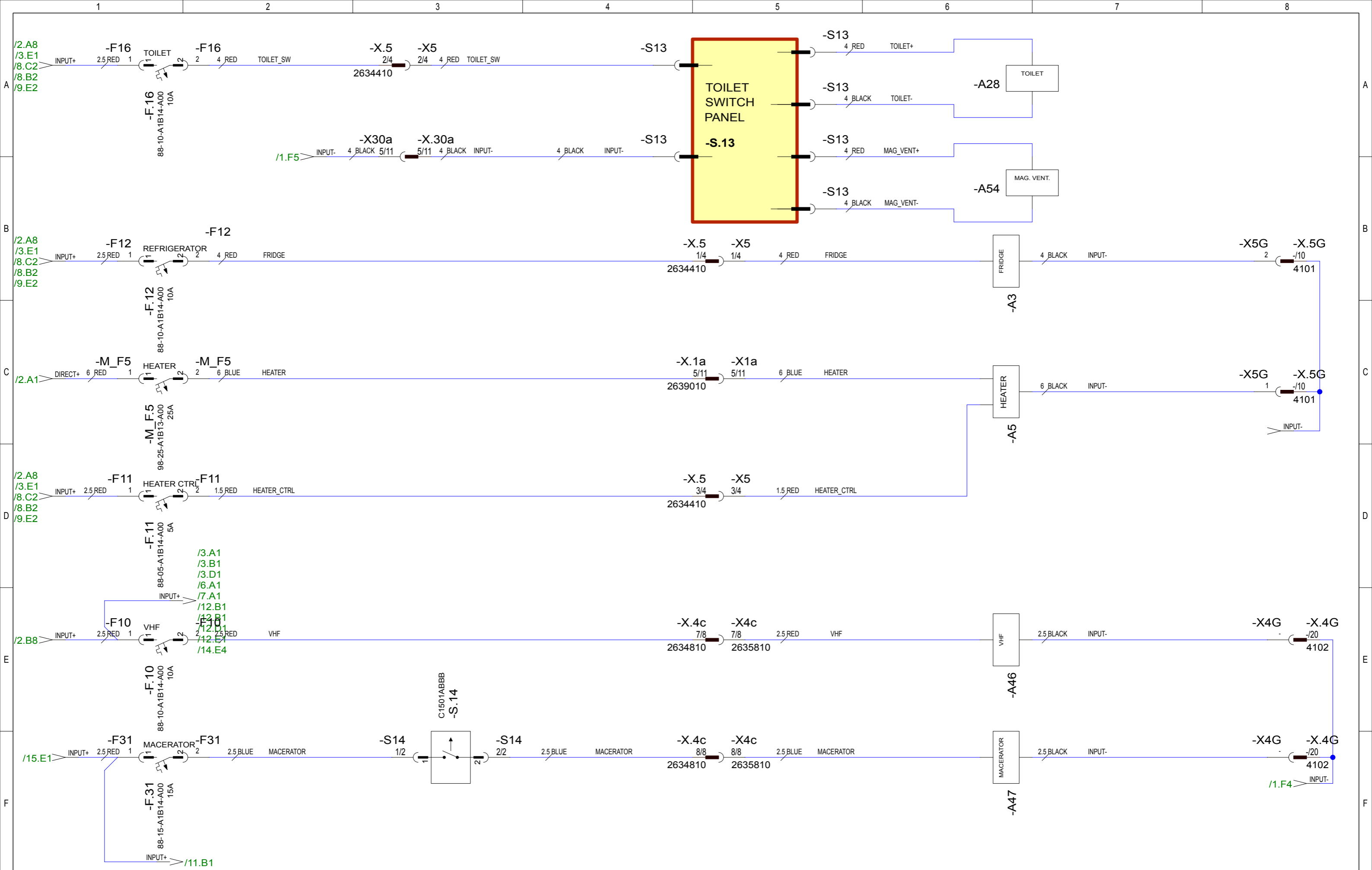


9.11.2017	PN	C4: NOT MODIFIED.	Date	29.6.2017	Axopar			
31.1.2018	PF	C5: NOT MODIFIED	Drawing by	RN	Boat	28 MY18	Sub-product code	Product code
5.2.2018	PF	C6: CHARGER CABLES 6->16mm2; A12a/b/c 6R6->16/6; XG1c 6R10->16/10	Sheet rev.	6	Boat model		START BT/MAIN SW	HL
Date of modification	Modified by	Description	Project rev.	C			CHARGER, INPUT-	Loc
1	2	3	4	5	6	7	8	1/ 42
								Sheet

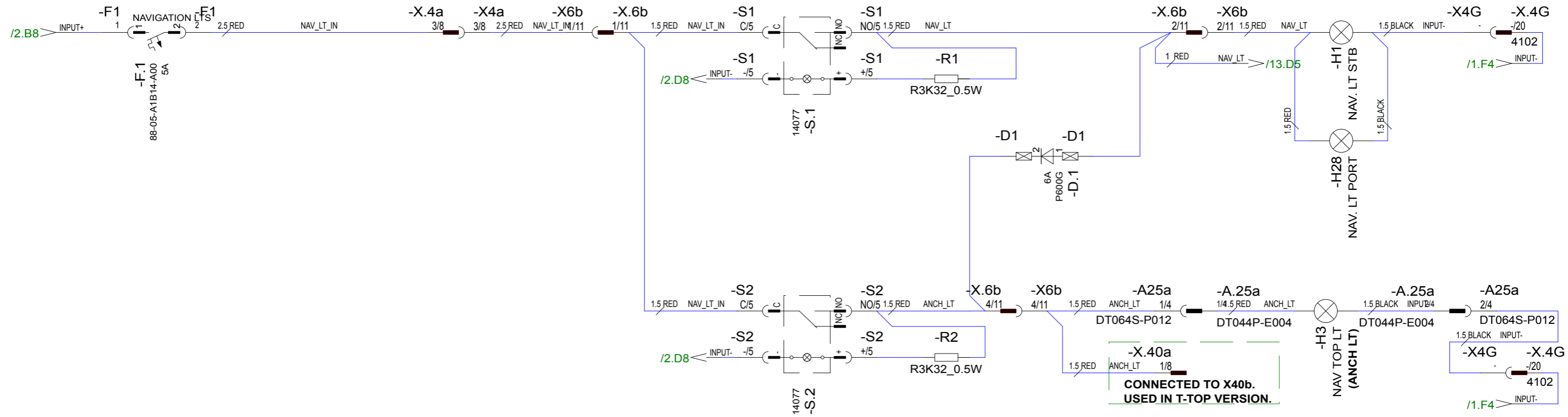




9.11.2017	PN	C4: HEATER MOVED, AFTER MAIN SWICTH TO DIRECT+.	Date	29.6.2017		Axopar			
31.1.2018	PF	C5: NOT MODIFIED	Drawing by	RN		Boat			
5.2.2018	PF	C6: NOT MODIFIED	Sheet rev.	6		28 MY18	Sub-product code	Product code	Project ID
Date of modification	Modified by	Description	Project rev.	C		SERV BT, MAIN SW, MAIN FUSES, VSR	HL		2 / 42
						Boat model	Loc		Sheet



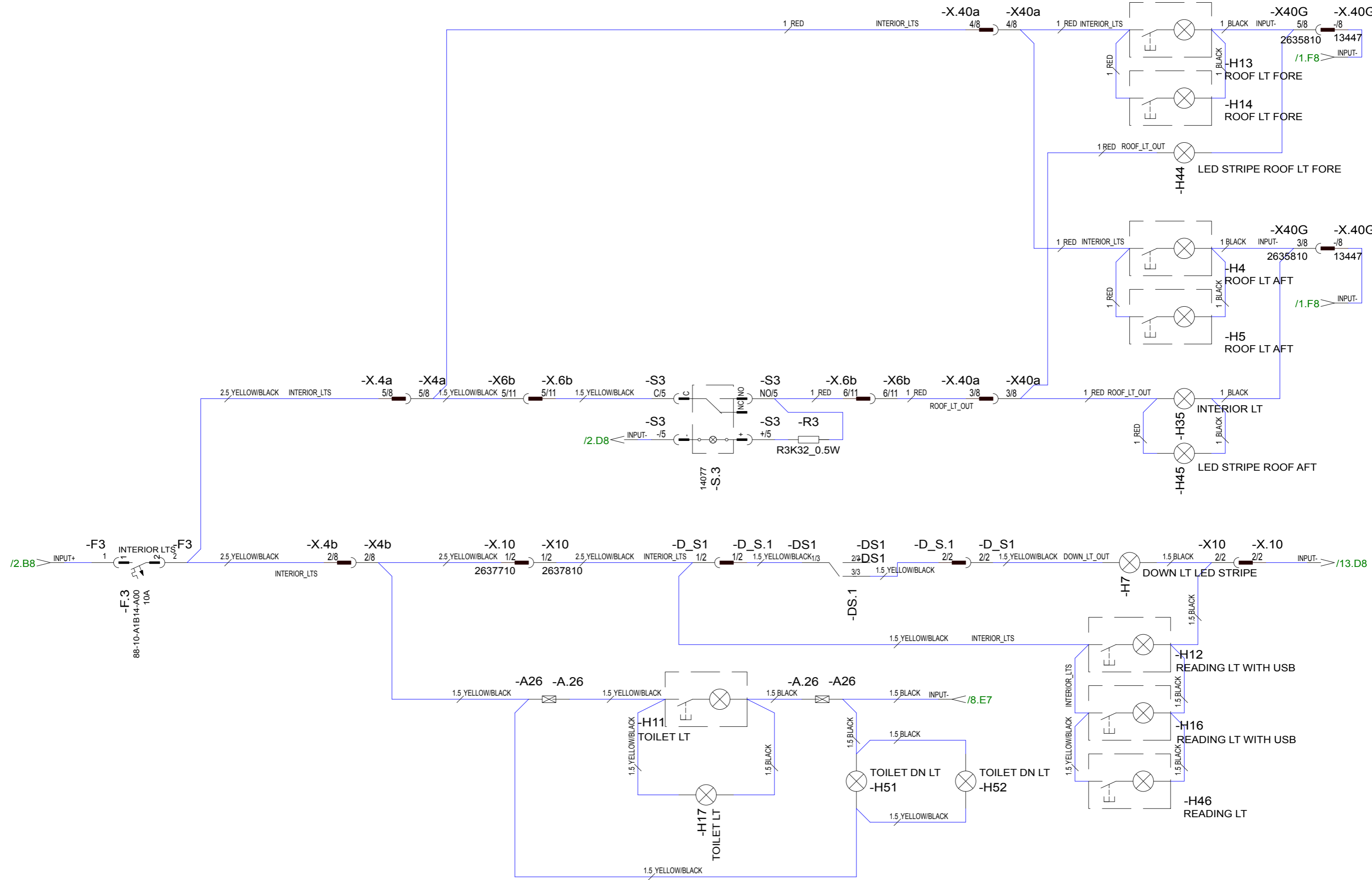
9.11.2017	PN	C4: NOT MODIFIED.	Date	29.6.2017		Axopar				
31.1.2018	PF	C5: NOT MODIFIED	Drawing by	RN		Boat	28 MY18	Sub-product code	Product code	Project ID
5.2.2018	PF	C6: NOT MODIFIED	Sheet rev.	6		Boat model		TOILET, RADAR, FRIDGE, HEATER, VHF, MACERATOR	HL	
Date of modification	Modified by	Description	Project rev.	C				Title	Loc	3 / 42 Sheet




9.11.2017	PN	C4: NOT MODIFIED.	Date	29.6.2017
31.1.2018	PF	C5: NOT MODIFIED	Drawing by	RN
5.2.2018	PF	C6: NOT MODIFIED	Sheet rev.	6
Date of modification	Modified by	Description	Project rev.	C



Axopar			
Boat	28 MY18	Sub-product code	Product code
Boat model		NAVIGATION LIGHTS	Project ID
		HL	4 / 42
		Loc	Sheet



9.11.2017	PN	C4: CIRCUIT CHANGES AND ADDED H44, H45, H46	Date	30.6.2017
31.1.2018	PF	C5: NOT MODIFIED	Drawing by	TuM
5.2.2018	PF	C6: H51 & H52 (TOILET DN LT) ADDED	Sheet rev.	6
Date of modification	Modified by	Description	Project rev.	C



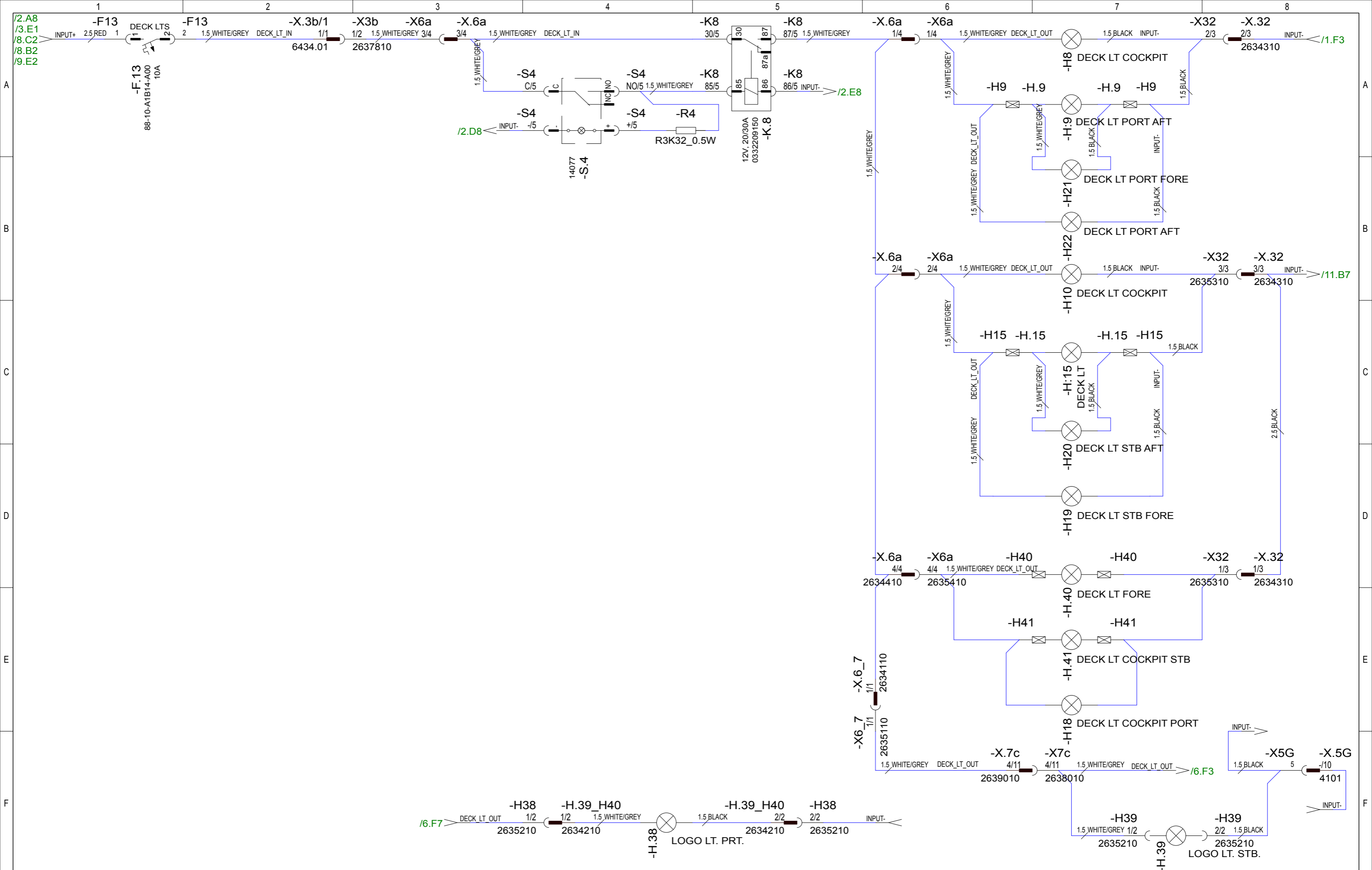
Copyright by NAVIX MARINE PRODUCTS

Axopar

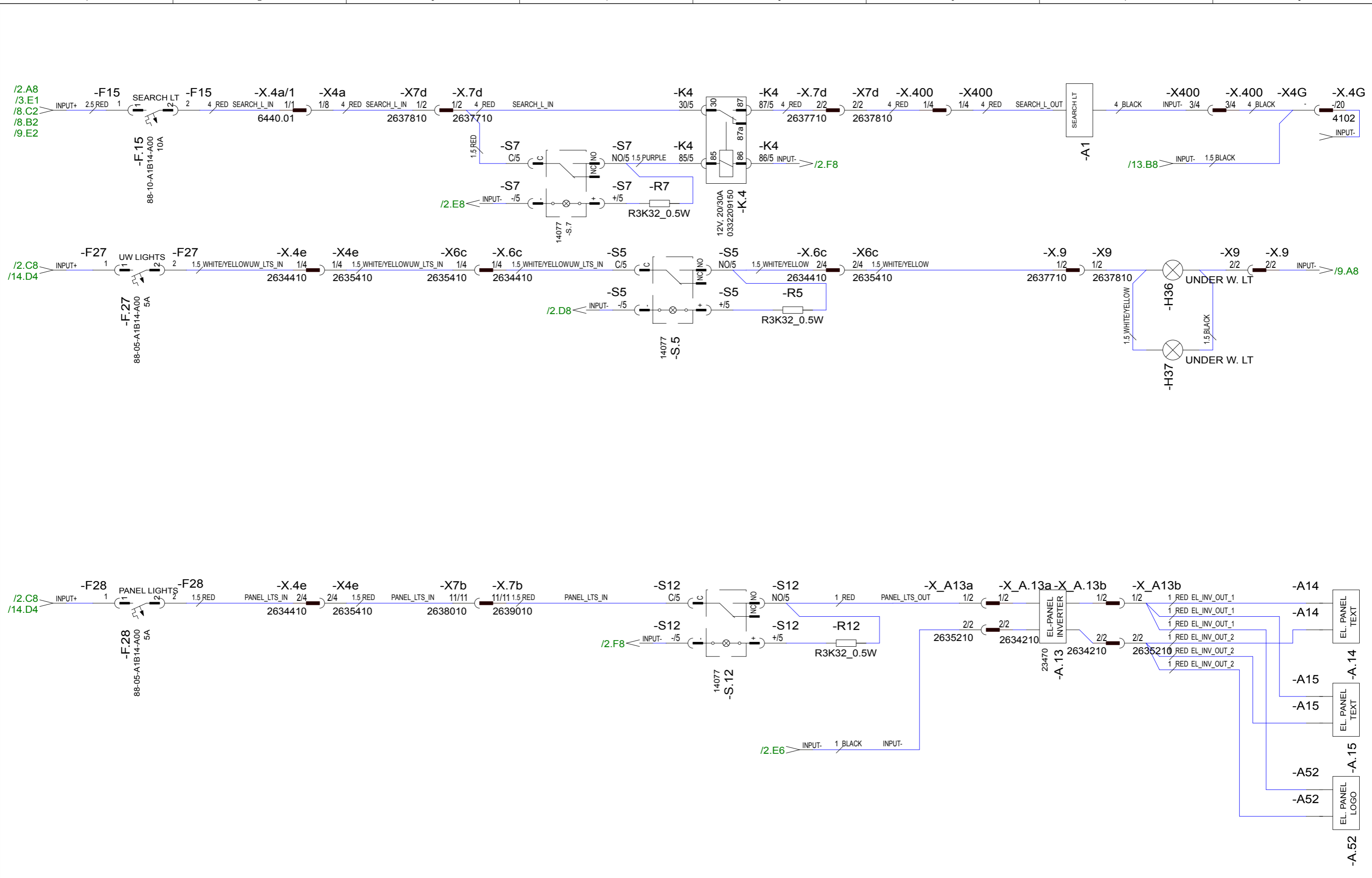
Boat: 28 MY18

Boat model:

Sub-product code	Product code	Project ID
INTERIOR LTS	HL	
Title	Loc	5 / 42
		Sheet



9.11.2017	PN	C4: CIRCUIT CHANGES, H18 AND H41	Date	30.6.2017		Axopar			
31.1.2018	PF	C5: ADDED H38_39 CONNECTOR	Drawing by	RN		Boat			
5.2.2018	PF	C6: NOT MODIFIED	Sheet rev.	6		28 MY18	Sub-product code	Product code	Project ID
Date of modification	Modified by	Description	Project rev.	C		Boat model	DECK LTS	HL	
						Title	Loc	6 / 42	
1	2	3	4	5	6	7	8	Sheet	



9.11.2017	TuM	C4: NOT MODIFIED.	Date	30.6.2017
31.1.2018	PF	C5: NOT MODIFIED	Drawing by	TuM
5.2.2018	PF	C6: NOT MODIFIED	Sheet rev.	6
Date of modification	Modified by	Description	Project rev.	C

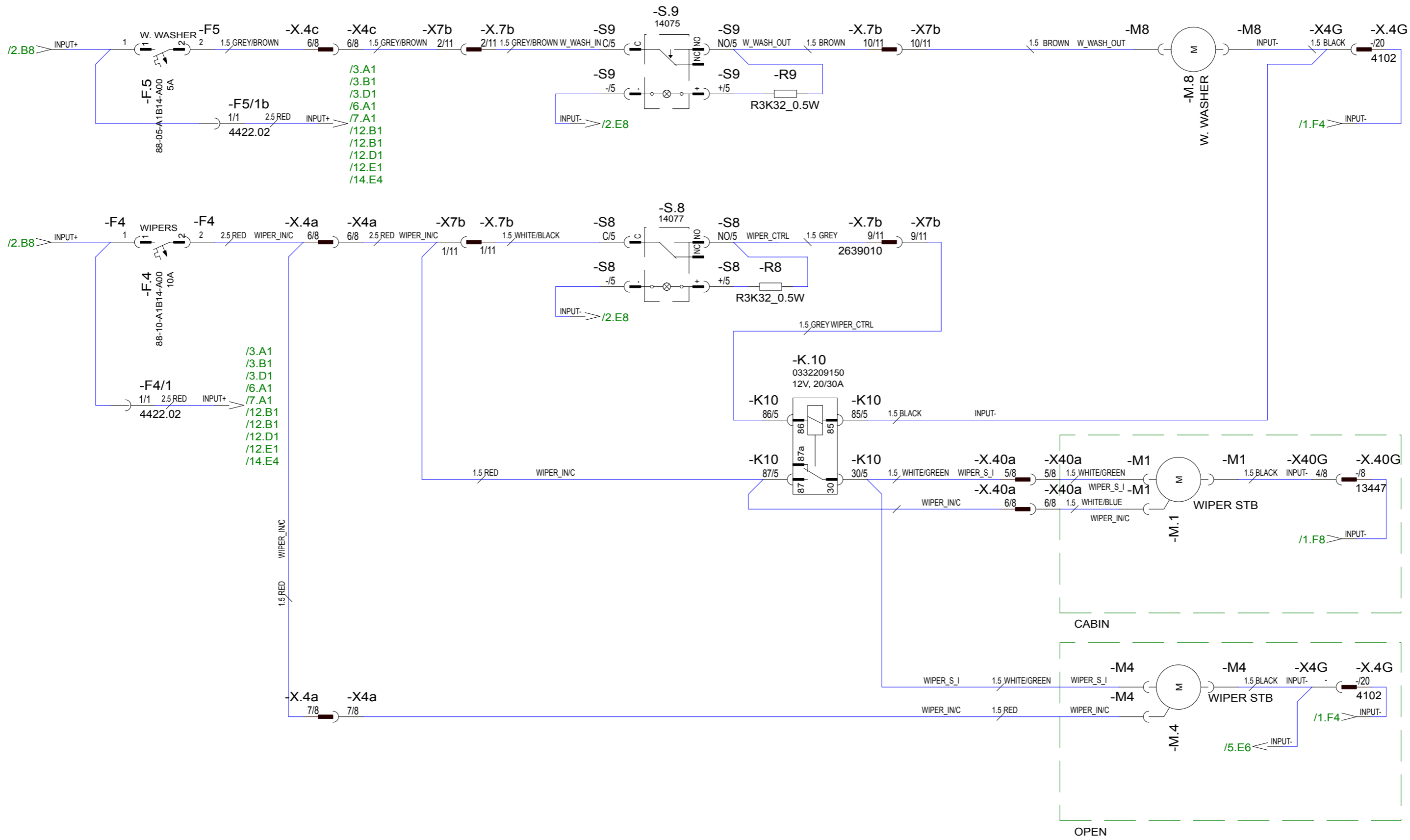
Copyright by

Axopar

Boat: 28 MY18

Boat model:

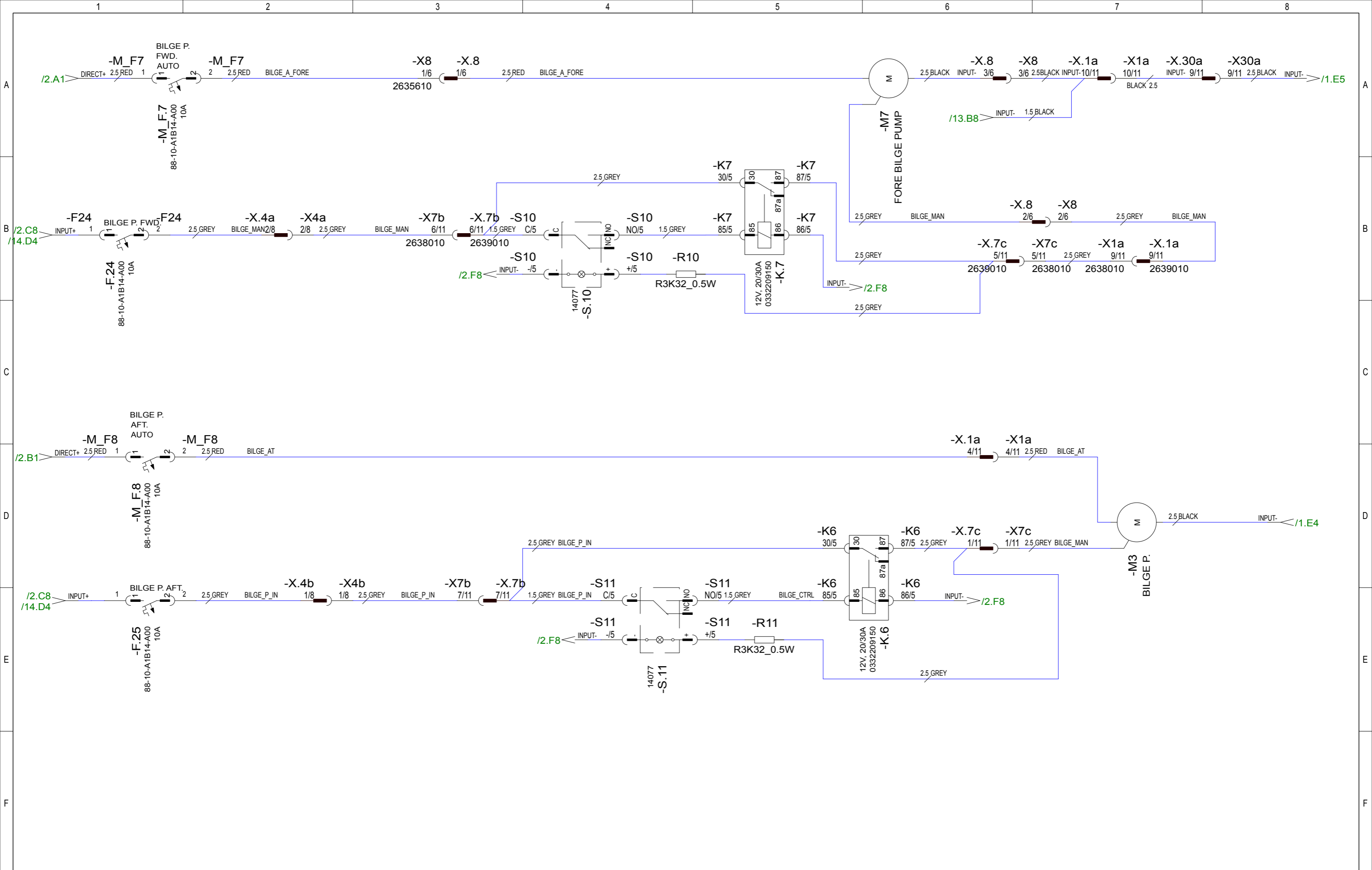
Sub-product code	Product code	Project ID
SEARCH LTS/ UW LTS/ PANEL LTS	HL	
Title	Loc	7 / 42 Sheet



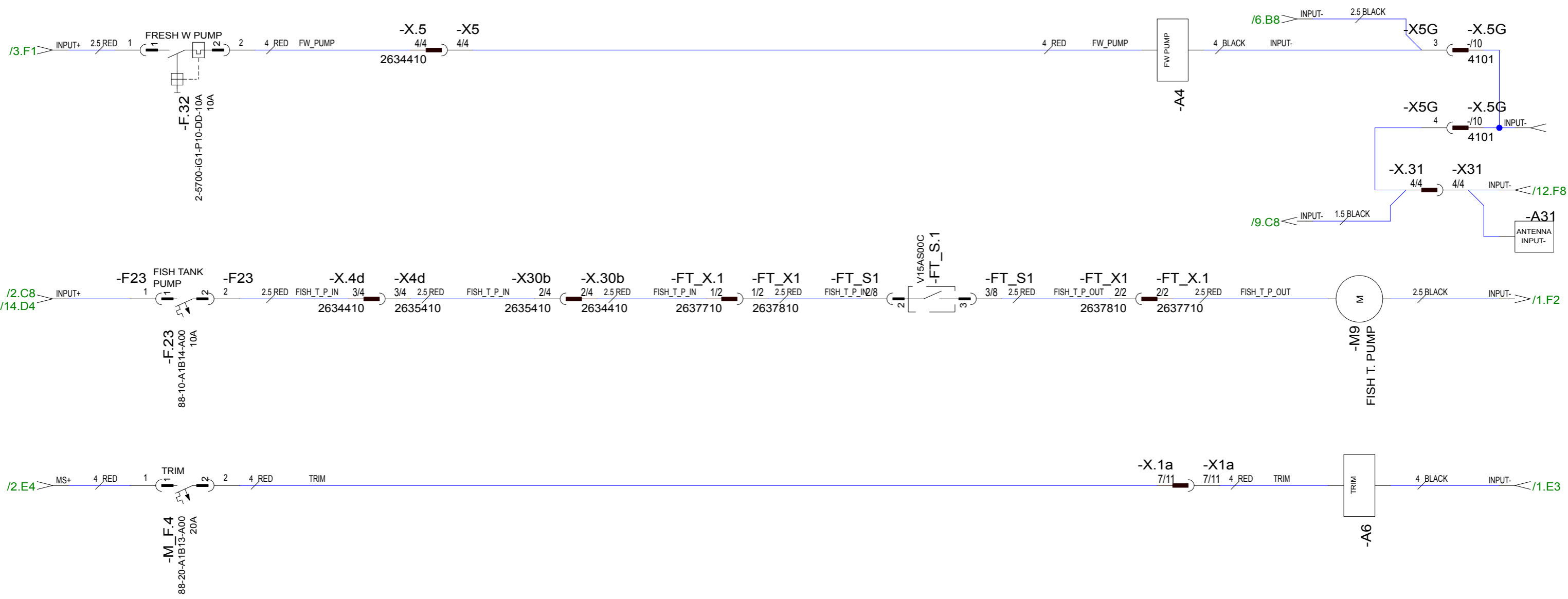
9.11.2017	PN	C4: NOT MODIFIED.	Date	29.6.2017
31.1.2018	PF	C5: NOT MODIFIED	Drawing by	RN
5.2.2018	PF	C6: NOT MODIFIED	Sheet rev.	6
Date of modification	Modified by	Description	Project rev.	C




Axopar	Boat	28 MY18	Boat model	WIPERS/ W. WASH
Sub-product code	Product code	Project ID	HL	8 / 42 Sheet
Title	Loc			

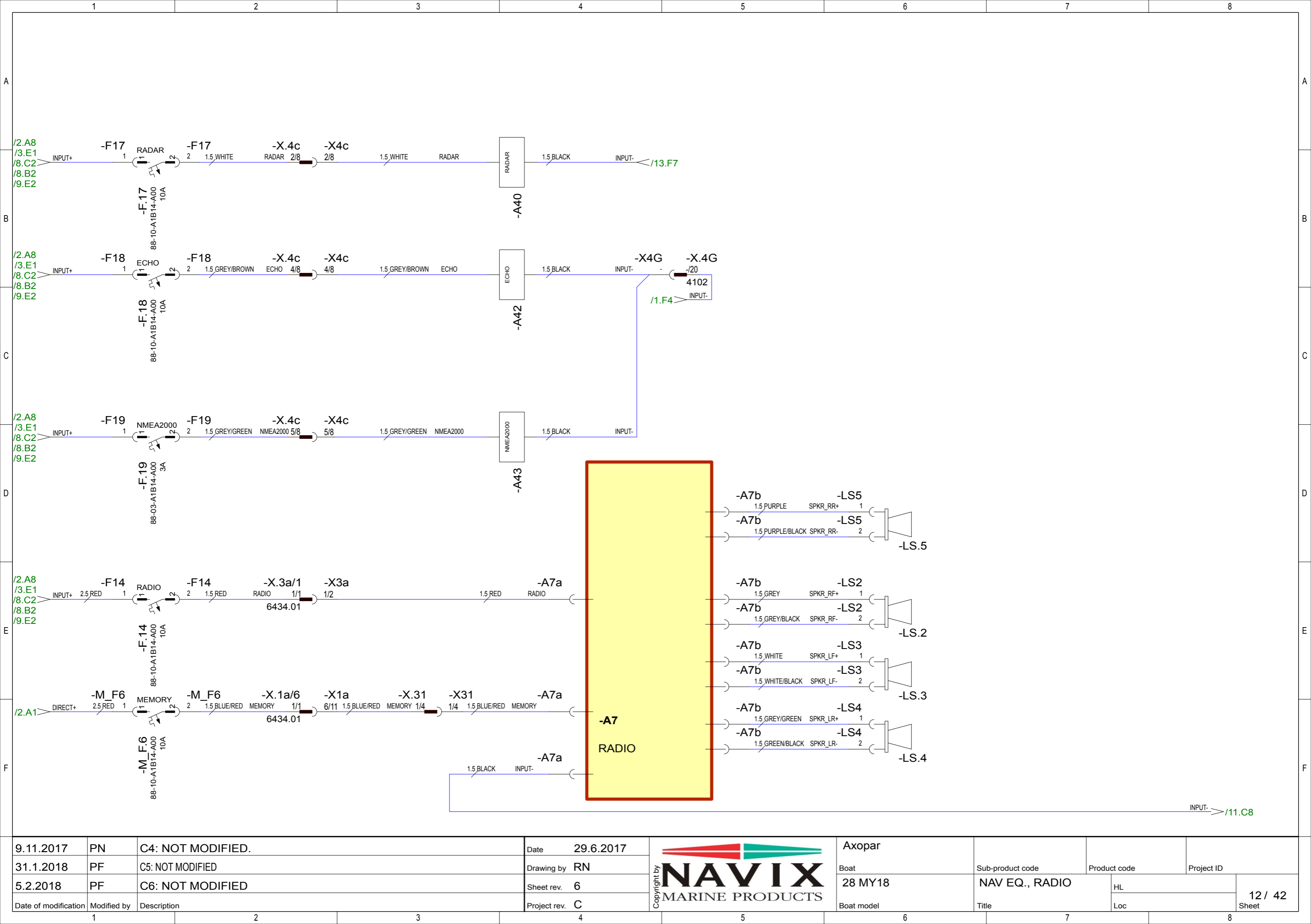


9.11.2017	PN	C4: NOT MODIFIED.	Date	29.6.2017		Axopar			
31.1.2018	PF	C5: NOT MODIFIED	Drawing by	RN		Boat			
5.2.2018	PF	C6: NOT MODIFIED	Sheet rev.	6		28 MY18	BILGE PUMPS	HL	10 / 42
Date of modification	Modified by	Description	Project rev.	C		Boat model	Title	Loc	Sheet

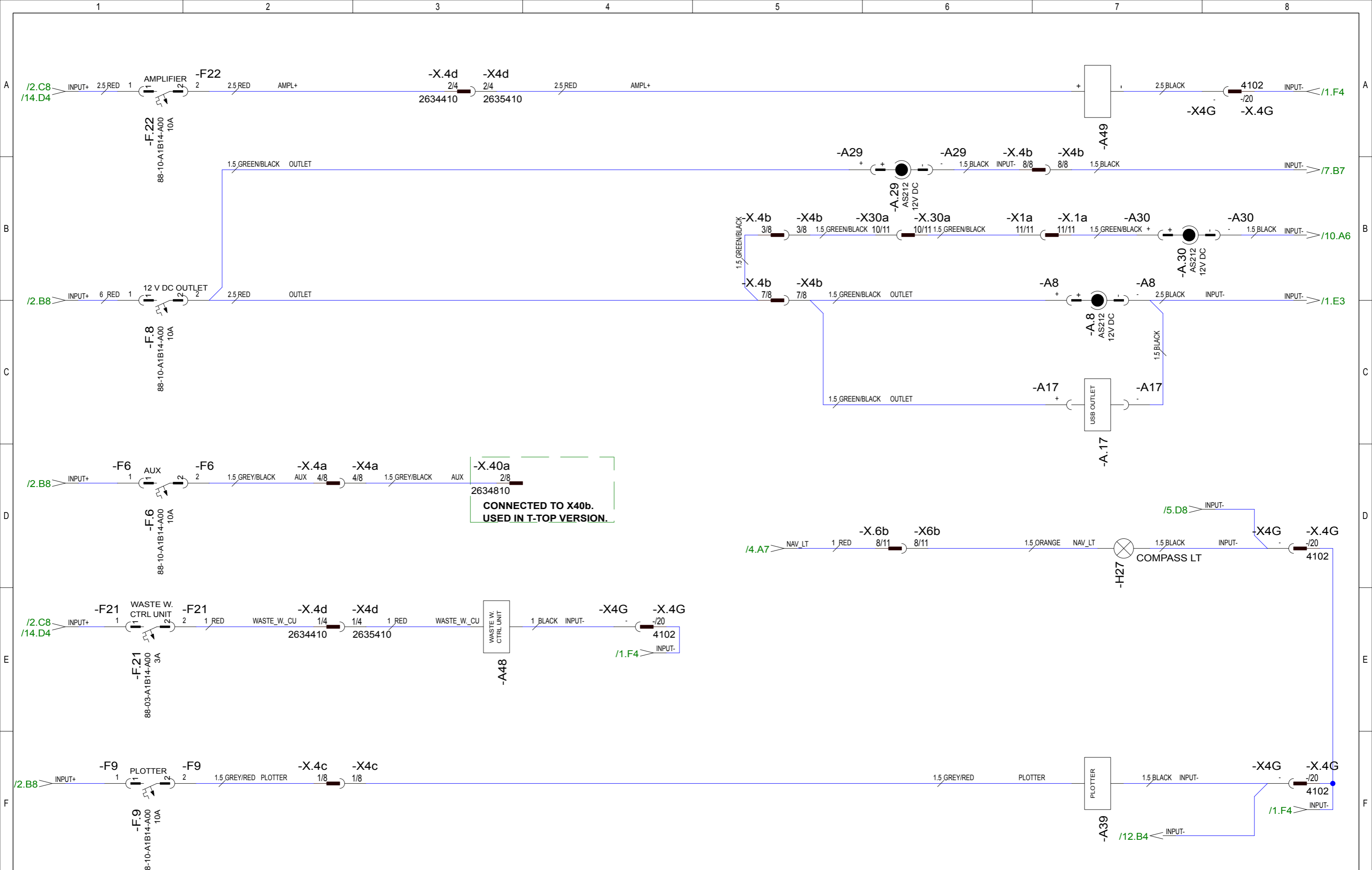


9.11.2017	PN	C4: NOT MODIFIED.	Date	29.6.2017
31.1.2018	PF	C5: NOT MODIFIED	Drawing by	TuM
5.2.2018	PF	C6: NOT MODIFIED	Sheet rev.	6
Date of modification	Modified by	Description	Project rev.	C

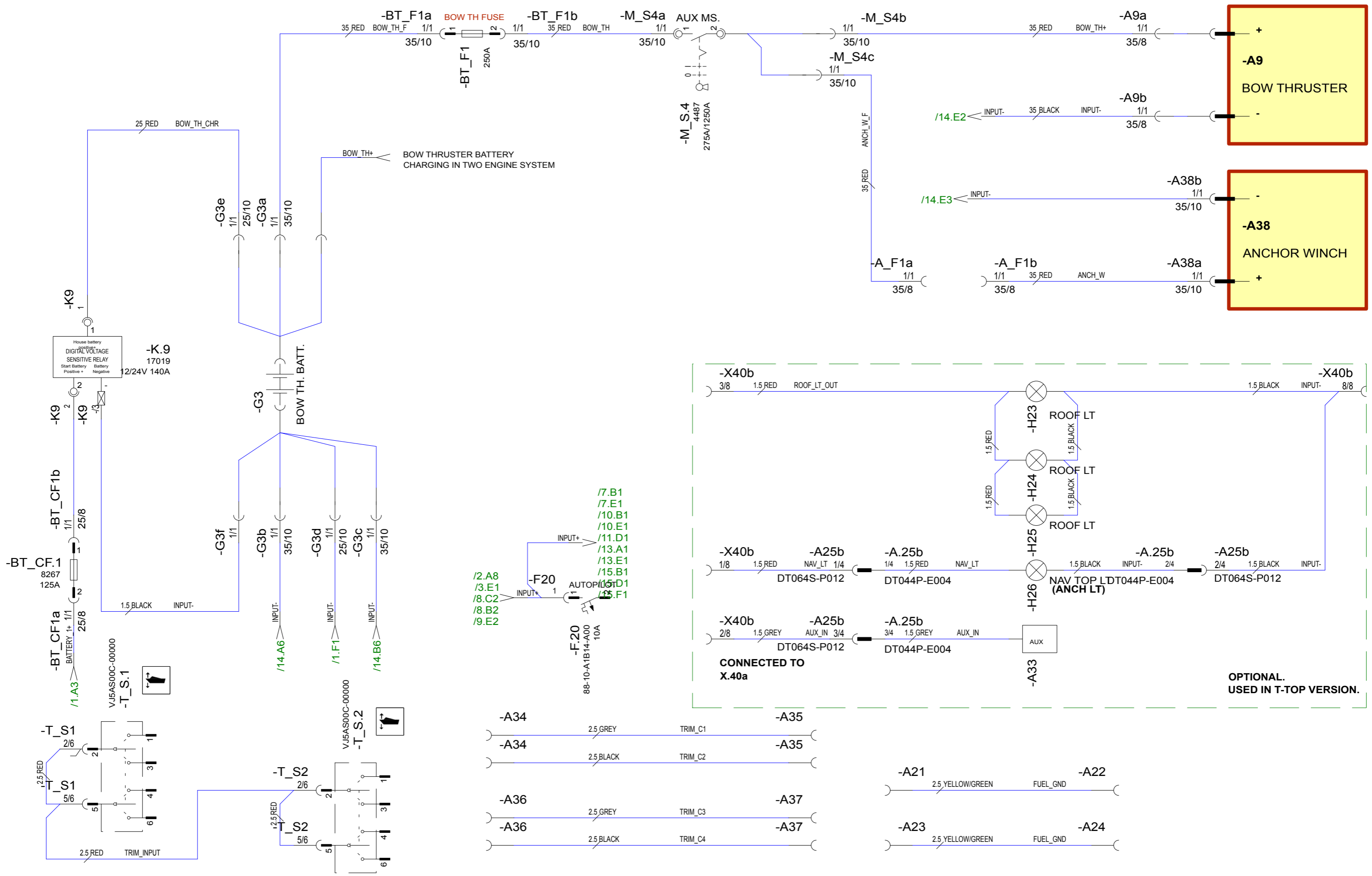
		Axopar					
		Boat	28 MY18	Sub-product code	PUMPS, TRIM	Product code	
Boat model		Title		HL		11/ 42	
				Loc		Sheet	



9.11.2017	PN	C4: NOT MODIFIED.	Date	29.6.2017		Axopar			
31.1.2018	PF	C5: NOT MODIFIED	Drawing by	RN		Boat	Sub-product code	Product code	Project ID
5.2.2018	PF	C6: NOT MODIFIED	Sheet rev.	6		28 MY18	NAV EQ., RADIO	HL	12 / 42
Date of modification	Modified by	Description	Project rev.	C		Boat model	Title	Loc	Sheet



9.11.2017	PN	C4: NOT MODIFIED.	Date	29.6.2017		Axopar				
31.1.2018	PF	C5: NOT MODIFIED	Drawing by	RN		Boat	28 MY18	Sub-product code	Product code	Project ID
5.2.2018	PF	C6: NOT MODIFIED	Sheet rev.	6	Copyright by	NAVIX MARINE PRODUCTS	Boat model	OUTLET, PLOTTER, AUX	HL	13 / 42 Sheet
Date of modification	Modified by	Description	Project rev.	C				Title	Loc	

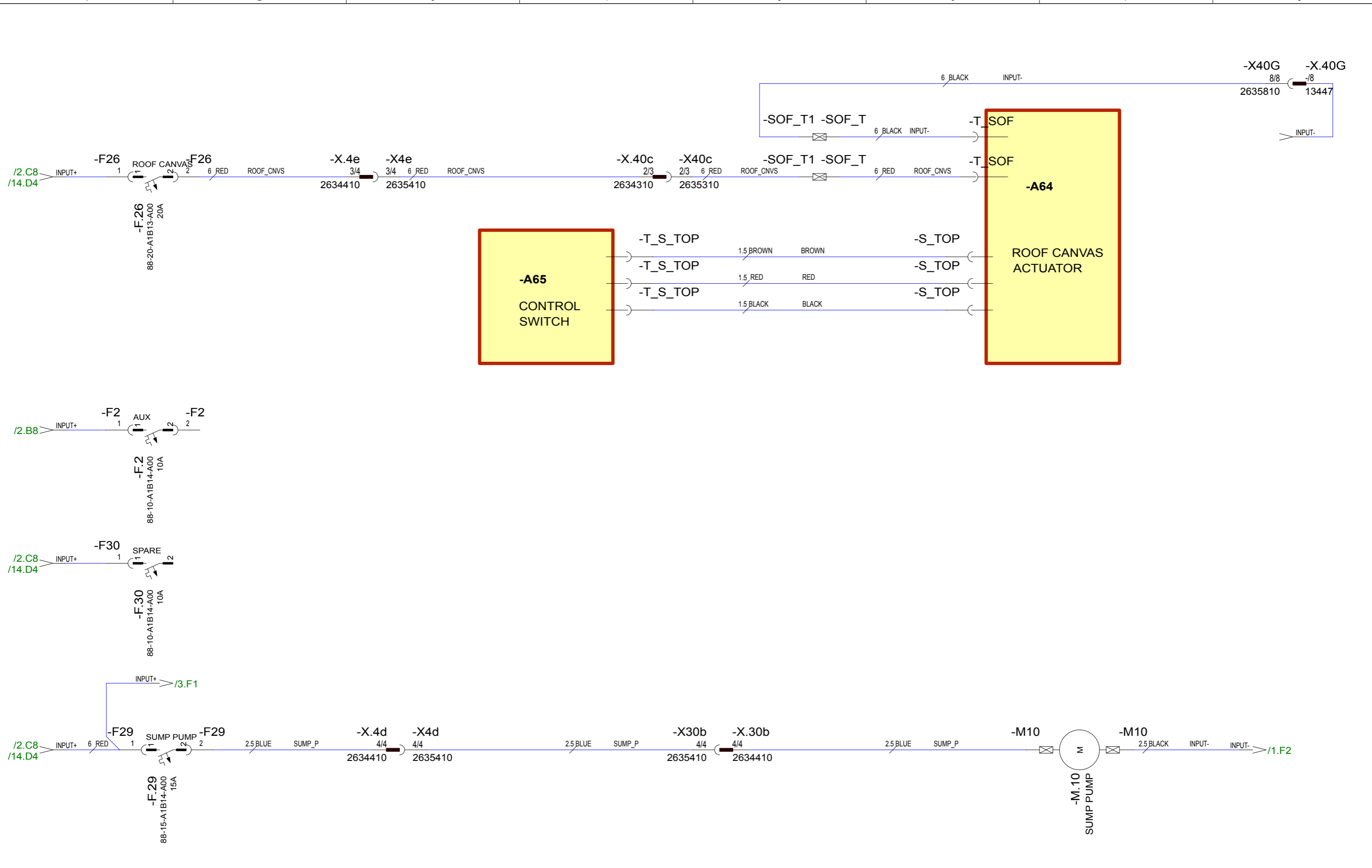


9.11.2017	PN	C4: NOT MODIFIED.
31.1.2018	PF	C5: NOT MODIFIED
5.2.2018	PF	C6: ANCH W FUSE REMOVED, BOW TH FUSE LUGS 35/8->35/10
Date of modification	Modified by	Description

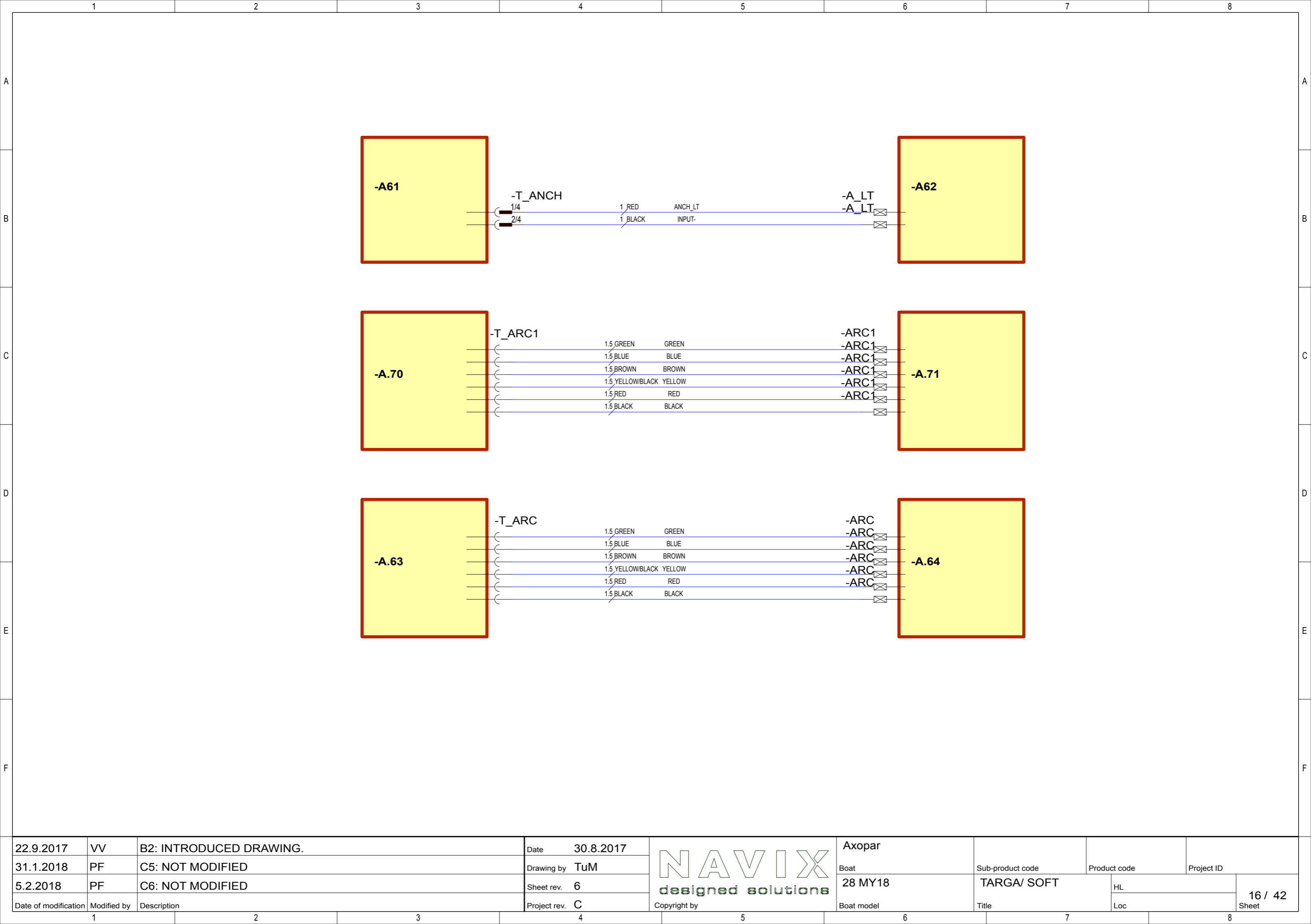
Date	29.6.2017
Drawing by	RN
Sheet rev.	6
Project rev.	C




Axopar	Boat	28 MY18	Boat model	
	Sub-product code	BOW TH, ANCH W	Title	T-TOP ROOF LTS, TRIM
	Product code	HL	Loc	
	Project ID		Sheet	14 / 42

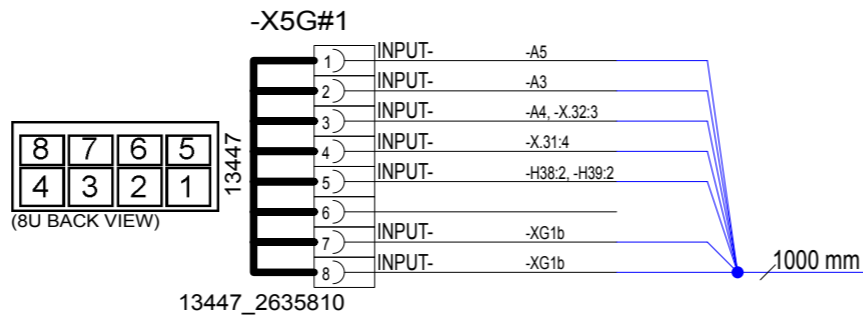
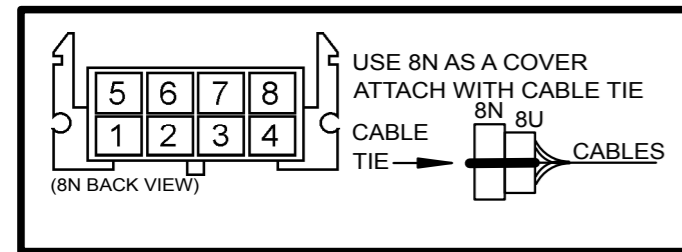
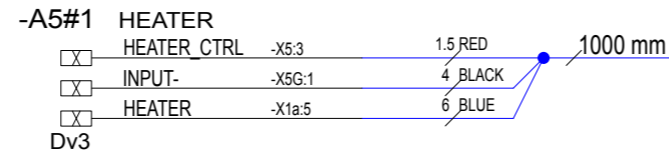
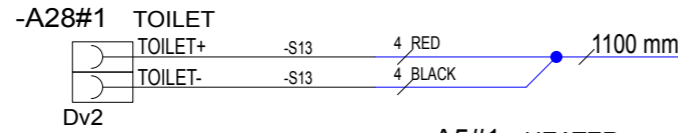
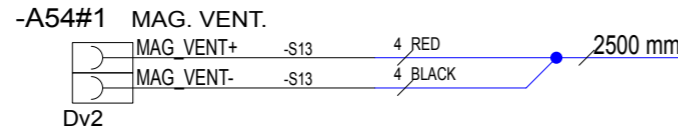
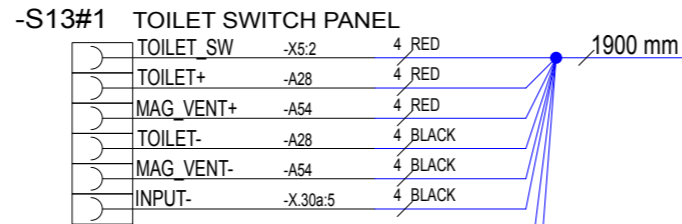
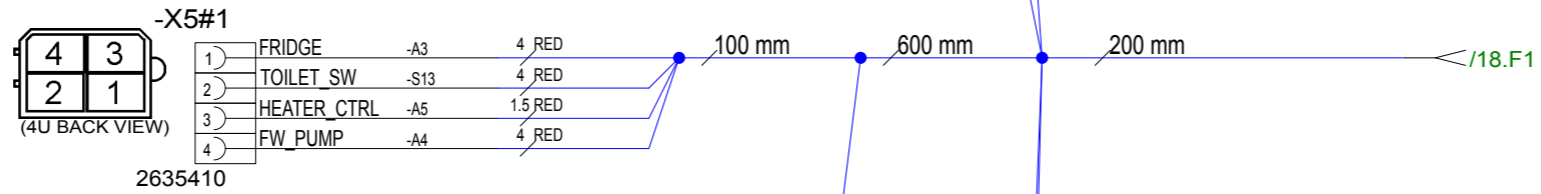
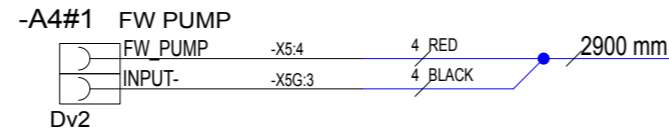
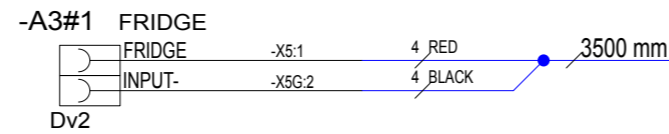


9.11.2017	PN	C4: MODIFIED ROOF CANVAS CIRCUIT, ADDED A64, A65	Date	30.6.2017		Axopar			
31.1.2018	PF	C5: NOT MODIFIED	Drawing by	TuM		Boat	Sub-product code	Product code	Project ID
5.2.2018	PF	C6: NOT MODIFIED	Sheet rev.	6		28 MY18	ROOF CANVAS/ SPARE	HL	15 / 42
Date of modification	Modified by	Description	Project rev.	C	Boat model	Title	Loc	Sheet	



22.9.2017	VV	B2: INTRODUCED DRAWING.	Date	30.8.2017
31.1.2018	PF	C5: NOT MODIFIED	Drawing by	TuM
5.2.2018	PF	C6: NOT MODIFIED	Sheet rev.	6
Date of modification	Modified by	Description	Project rev.	C

 Copyright by		Axopar					
		Boat	28 MY18	Sub-product code	TARGA/ SOFT	Product code	
		Boat model		Title		HL	
				Loc		16 / 42 Sheet	

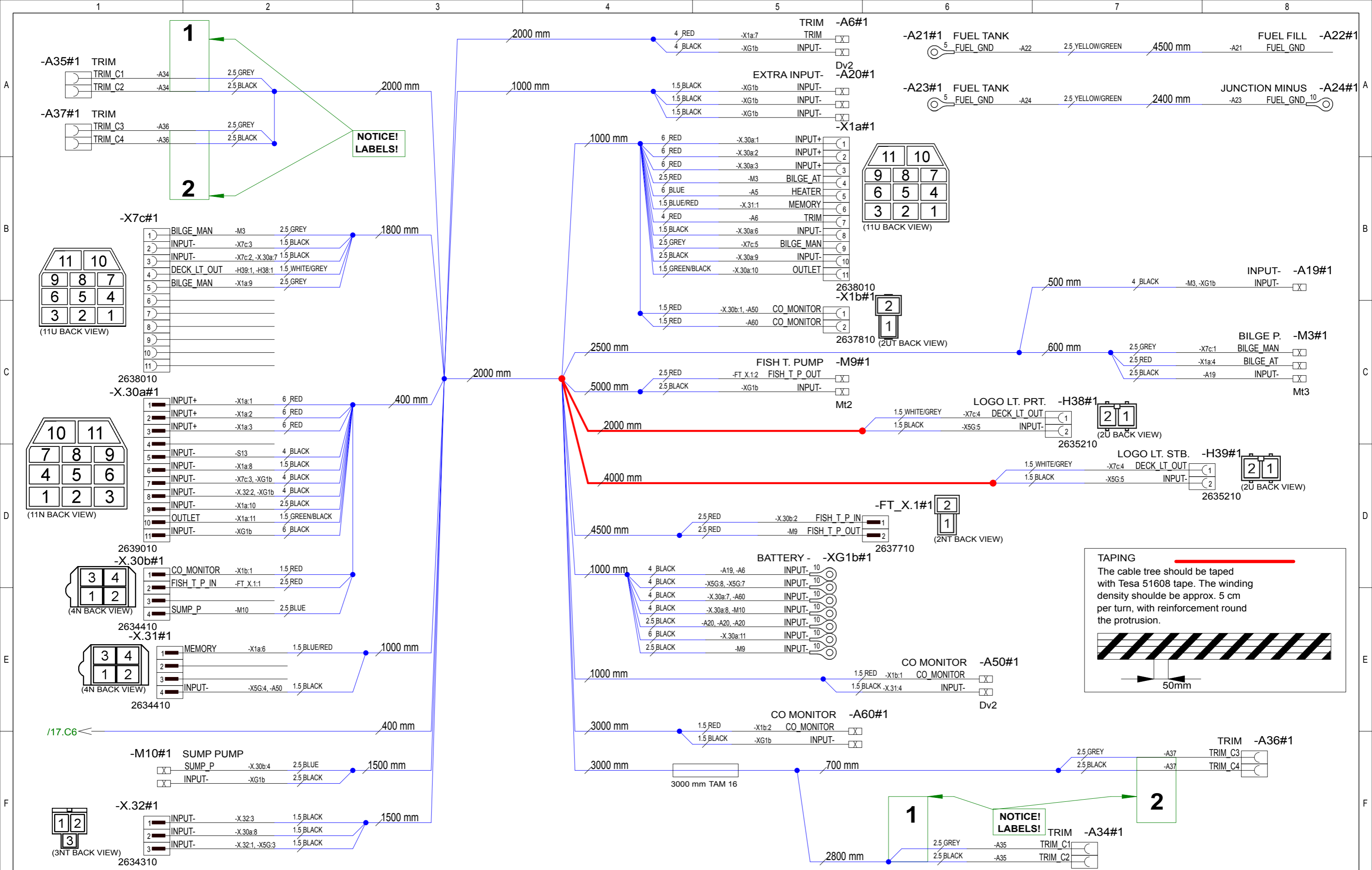


29.6.2017	TuM	A1: INTRODUCED DRAWING.
22.9.2017	VV	B2: TRIM & PENTRY HARNESS ADDED; LOGO LIGHTS & -X5G ADDED
9.11.2017	PN	C2: NOT MODIFIED
Date of modification	Modified by	Description

Date	19.9.2017
Drawing by	TuM
Sheet rev.	2
Project rev.	C



Axopar	23589	Project ID
Boat	28 MY18	HULL HARNESS
Boat model		HL
		Loc
		17 / 42 Sheet



TAPING
 The cable tree should be taped with Tesa 51608 tape. The winding density should be approx. 5 cm per turn, with reinforcement round the protrusion.

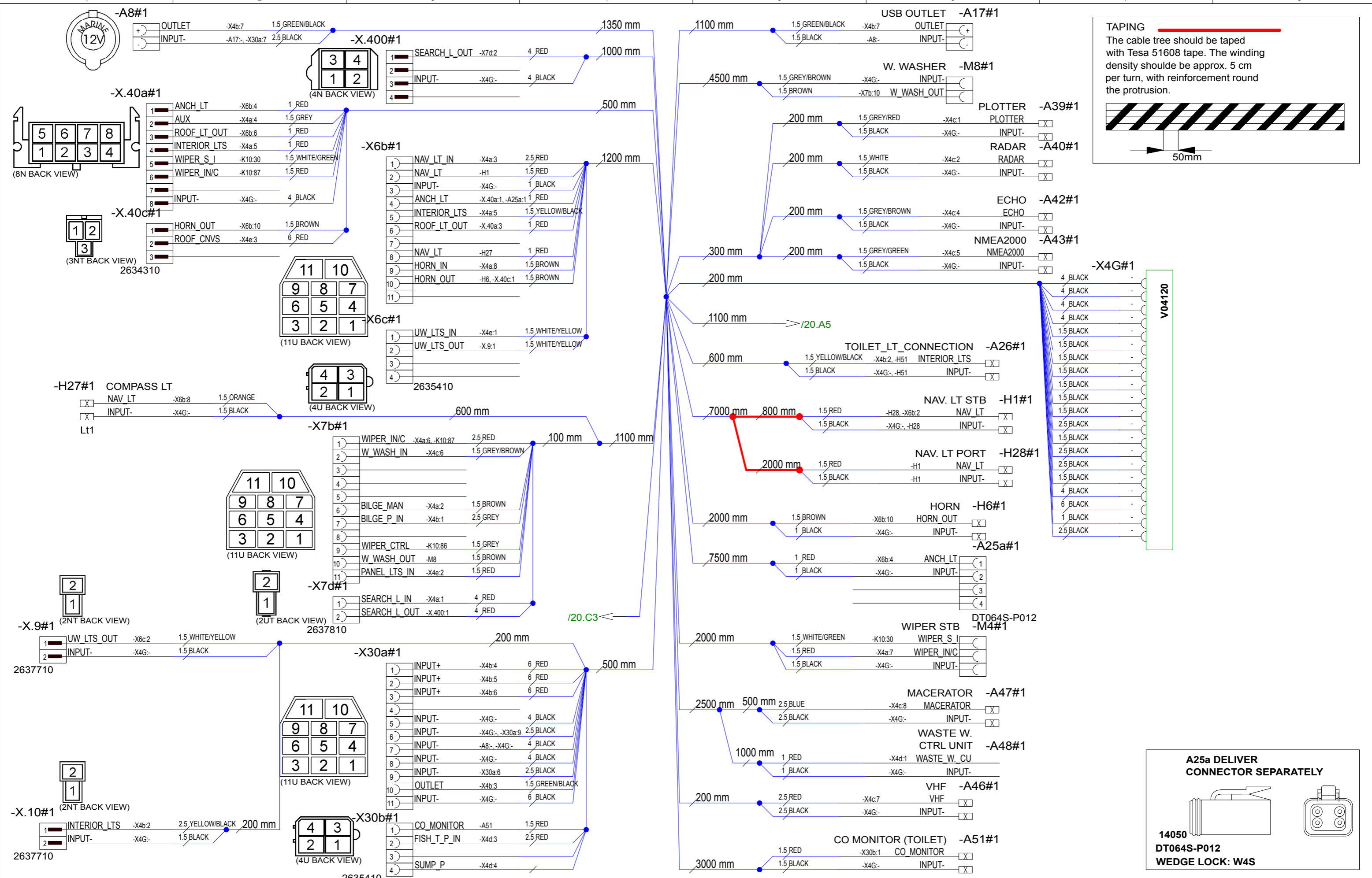
50mm

29.6.2017	TuM	A1: INTRODUCED DRAWING.
22.9.2017	VV	B2: TRIM & PENTRY HARNESS ADDED; LOGO LIGHTS & -X5G ADDED
9.11.2017	PN	C2: NOT MODIFIED
Date of modification	Modified by	Description

Date	29.6.2017
Drawing by	TuM
Sheet rev.	2
Project rev.	C



Axopar	23589	Project ID
Boat	Product code	
28 MY18	HULL HARNESS	HL
Boat model	Title	Loc
		18 / 42
		Sheet



9.11.2017	PN	C4: CHANGED WIRE SIZE ROOF CNVS, INTERIOR LTS.	Date	29.6.2017
5.2.2018	PF	C5: 2 x TOILET DN LT ADDED & TOILET LT CONN. CABLE LENGTH CHANGED	Drawing by	TuM
24.10.2017	PN	B3: ROCA WIPER CTRL. REMOVED, ADDED WIPER RELAY.	Sheet rev.	5
Date of modification	Modified by	Description	Project rev.	C

Copyright by NAVIX MARINE PRODUCTS

Axopar

Boat: 28 MY18

Boat model:

DECK HARNESS

Title:

23590

Product code

Project ID

14050

DT064S-P012

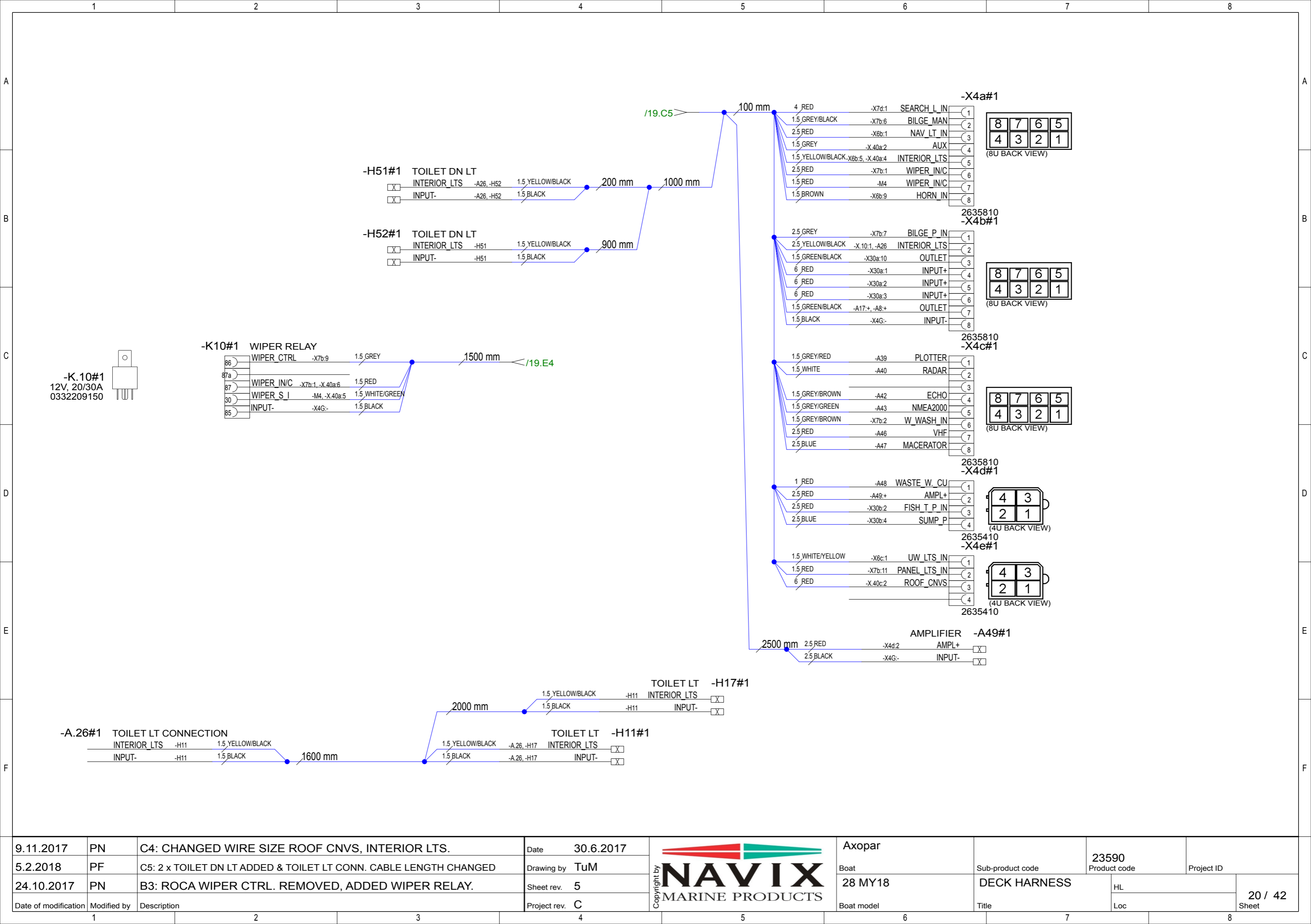
WEDGE LOCK: W4S

19 / 42

Sheet

DL

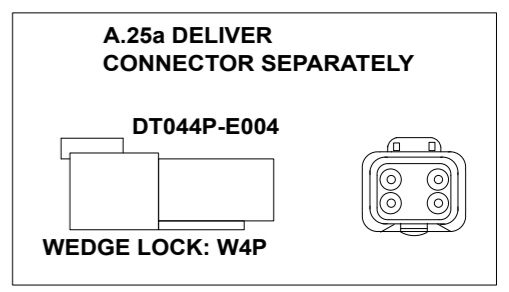
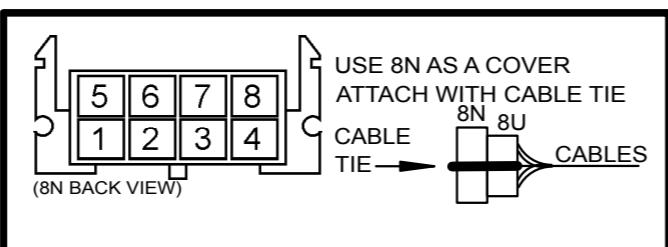
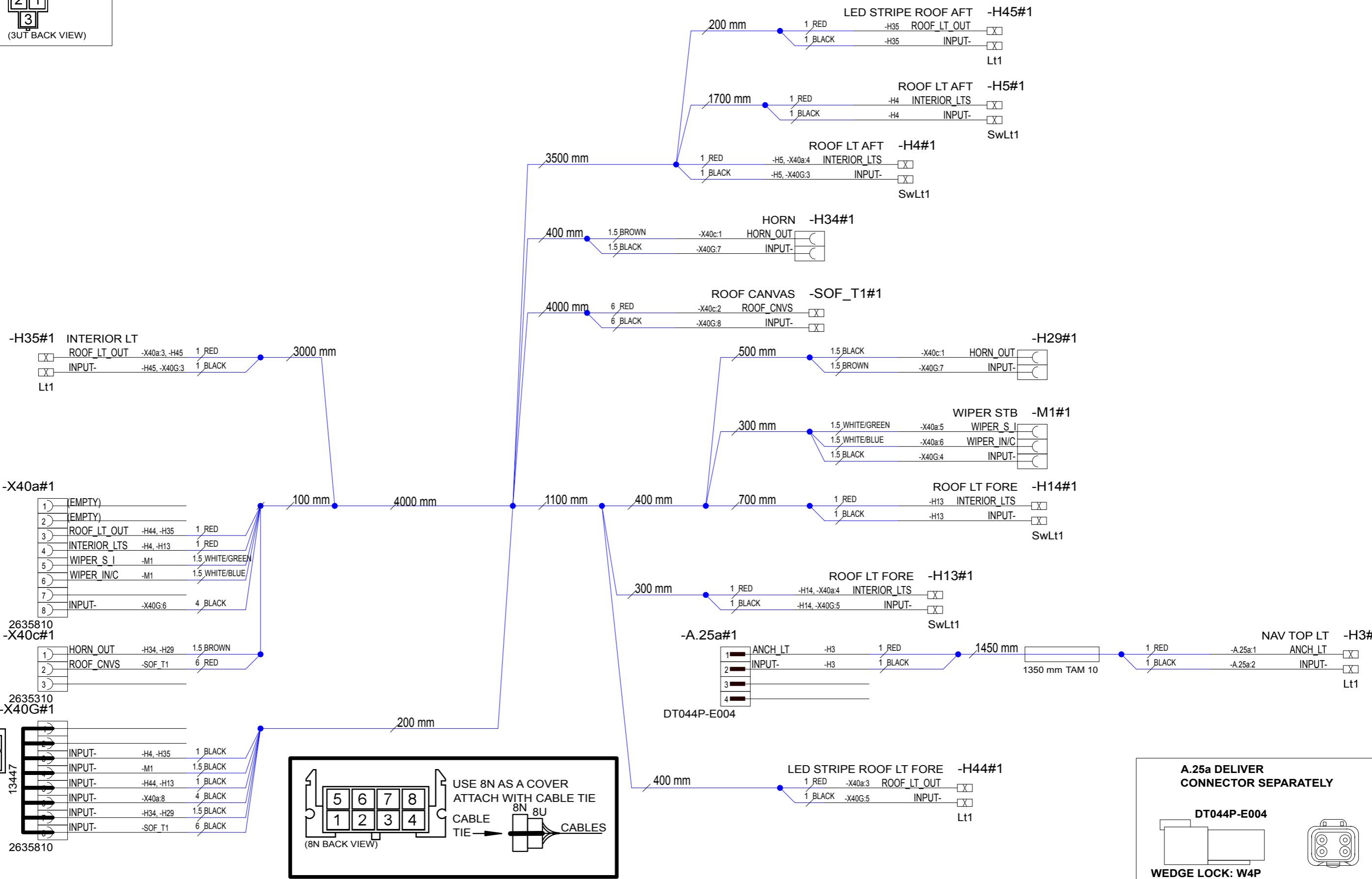
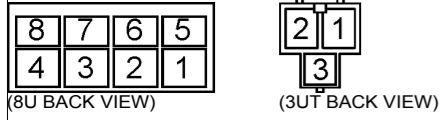
Loc



9.11.2017	PN	C4: CHANGED WIRE SIZE ROOF CNVS, INTERIOR LTS.	Date	30.6.2017
5.2.2018	PF	C5: 2 x TOILET DN LT ADDED & TOILET LT CONN. CABLE LENGTH CHANGED	Drawing by	TuM
24.10.2017	PN	B3: ROCA WIPER CTRL. REMOVED, ADDED WIPER RELAY.	Sheet rev.	5
Date of modification	Modified by	Description	Project rev.	C

	Axopar		23590	
	Boat	28 MY18	Sub-product code	DECK HARNESS
Boat model		Title	HL	20 / 42
			Loc	Sheet

X40a & X40c DELIVER CONNECTOR SEPARATELY



29.6.2017	TuM	A1: INTRODUCED DRAWING.	Date	29.6.2017
20.9.2017	VV	B2: -H38 & -H39 LOGO LT. MOVED TO HULL HARNESS; NAME CHANGED	Drawing by	TuM
9.11.2017	PN	C3: ADDED H44, H45; CHANGED ROOF CANVAS WIRE SIZE 2,5 TO 6 MM2; NAME CHANGES	Sheet rev.	3
Date of modification	Modified by	Description	Project rev.	C

Copyright by NAVIX MARINE PRODUCTS

Axopar

Boat: 28 Cabin MY18

Boat model: 28 Cabin MY18

Sub-product code: 23591

Product code: 23591

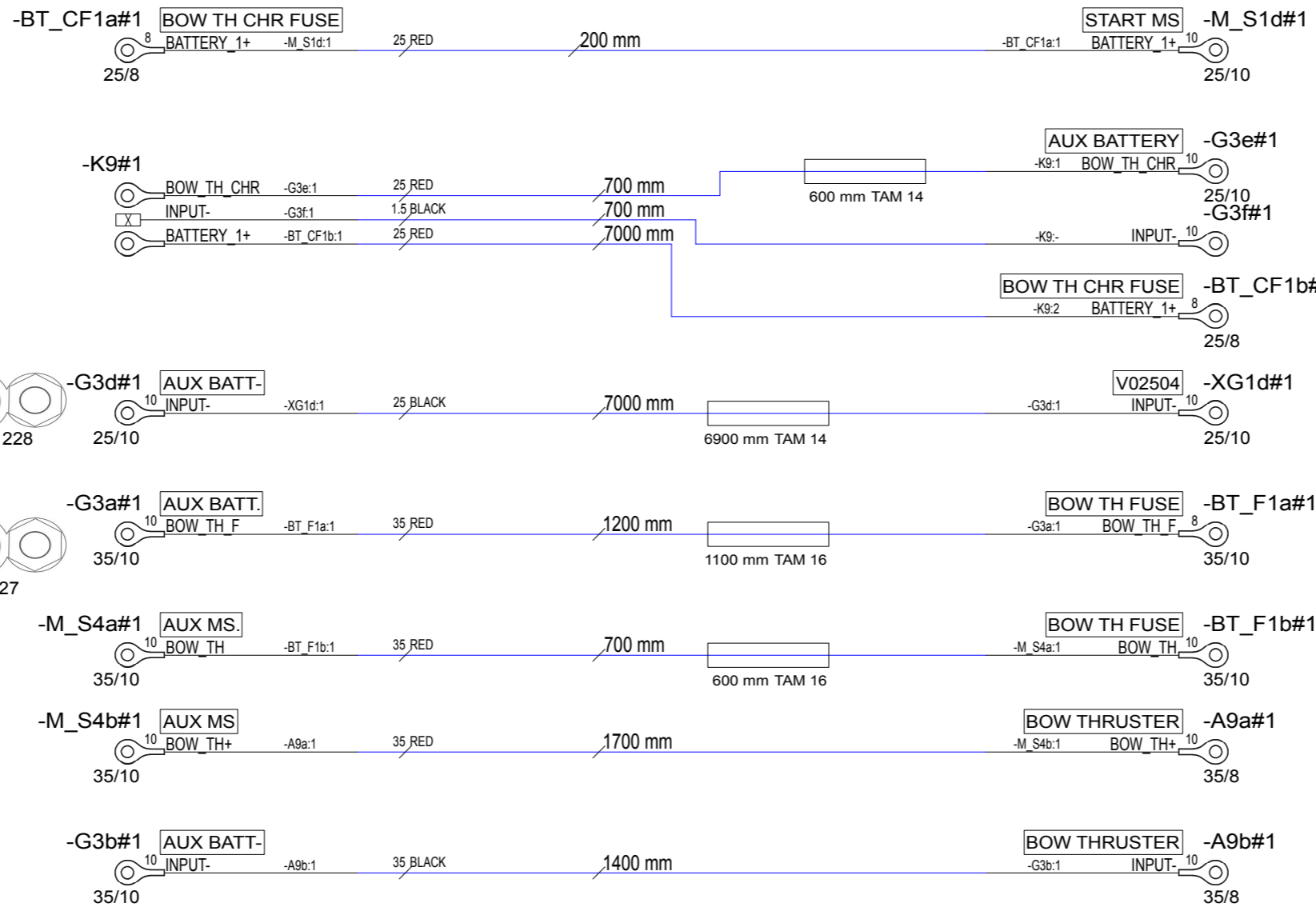
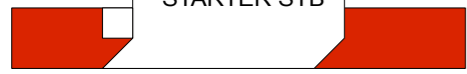
Title: CABIN ROOF HARNESS

Project ID: 21/ 42

Sheet: 21/ 42

NOTICE! CABLES WITH STICKER

FOR EXAMPLE
EA032
STARTER STB



INSULATOR FOR BATTERY TERMINAL WITH BOLT BLACK

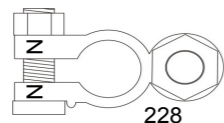


11068/456N9V14

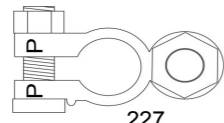
INSULATOR FOR BATTERY TERMINAL WITH BOLT RED



11067/456N9V02



228



227

6x M5x50 COUNTERSUNK HEXAGON SCREW

6x 6440 ALUMINIUM BUSHING FOR MAIN SWITCHES

6x M5 NUT

-BT_F1#1
1Pcs 20733 SIDEPower ANL FUSE COVER
1Pcs 9036 ANL FUSE 250A

AUX MS.
-M_S.4#1
AES-1211-28A
4487

-BT_CF.1#1
8267
FUSE ANL 125A

VSR
-K.9#1
17019

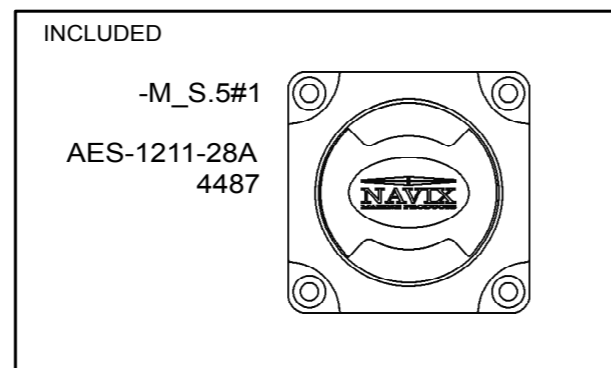
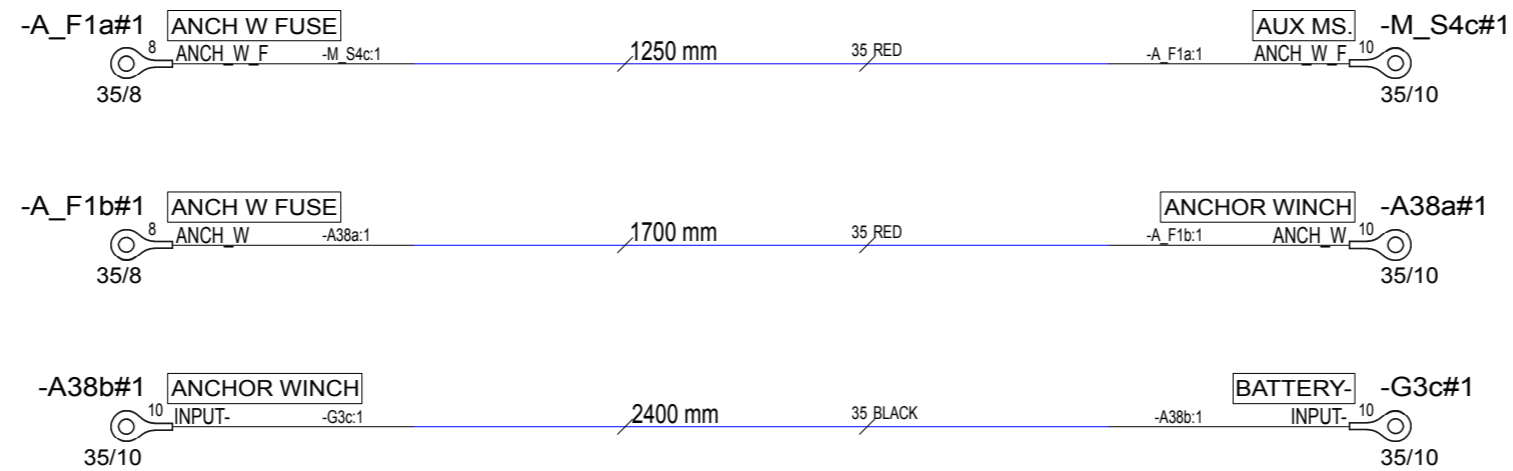
5.2.2018	PF	C4: BOW TH FUSE LUGS CHANGED 35/8->35/10, G3f CHANGED 6R10->PR10	Date
22.9.2017	VV	B2: LENGHTS CHANGED; BOW TH. FUSE CHANGED TO ENGBO.	Drawing by TuM
9.11.2017	PN	C3: ADDED PIPES TO AUXBATT AND AUXBATT-.	Sheet rev. 4
Date of modification	Modified by	Description	Project rev. C

	Axopar	Boat	28 MY18	Boat model
	23594	Sub-product code	BOW TH. CABLES	Title
	Product code	HL	22 / 42	Sheet
	Project ID	Loc		

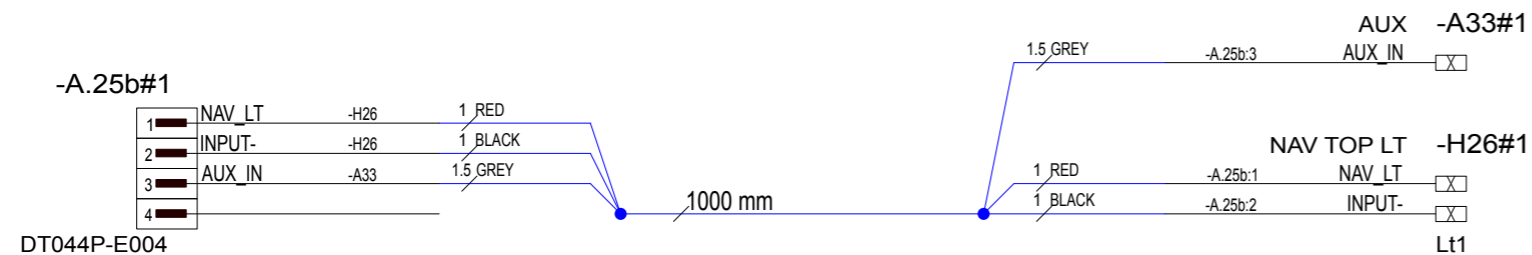
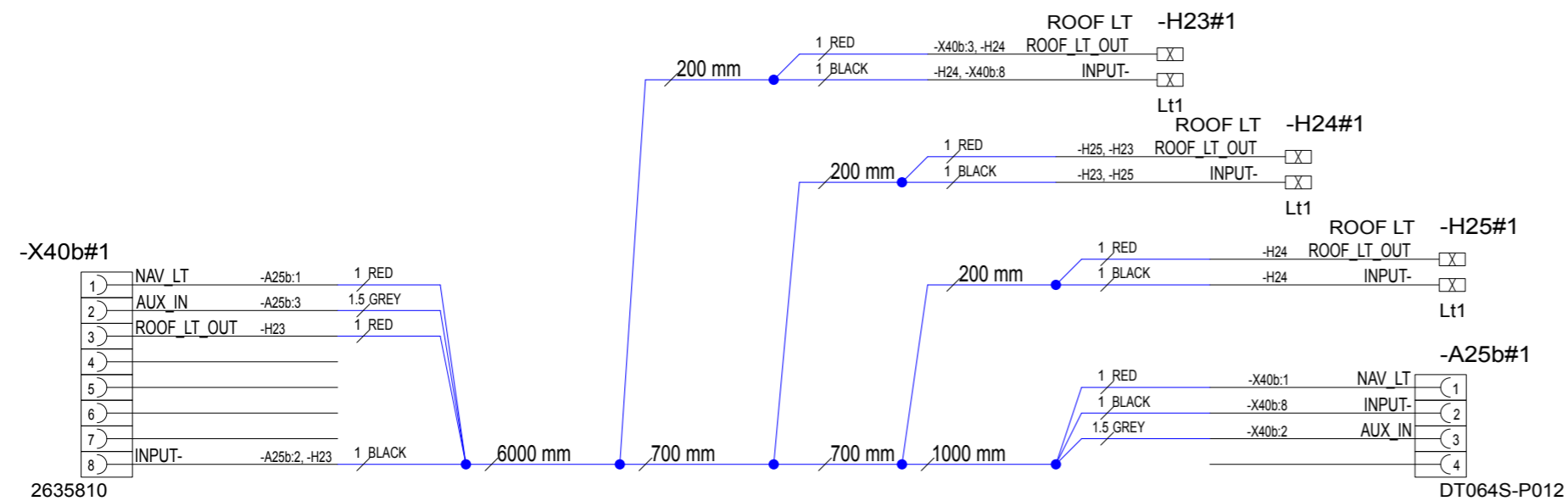
NOTICE! CABLES WITH STICKER

FOR EXAMPLE

EA032
STARTER STB



5.2.2018	PF	C4: CABLE LENGTHS CHANGED, FUSE REMOVED	Date	29.6.2017		Axopar	Sub-product code ANCHOR WINCH CABLES FORE	Product code 23596	Project ID HL Loc	23 / 42 Sheet	
22.9.2017	VV	B2: LENGTHS CHANGED; ANCH W. CONNECTED TO BATT. & MS.	Drawing by	TuM		Boat					28 MY18
9.11.2017	PN	C3: ADDED ANCHOR WINCH MAIN SWITCH.	Sheet rev.	4		Boat model					
Date of modification	Modified by	Description	Project rev.	C							



X40b DELIVER CONNECTOR SEPARATELY

8	7	6	5
4	3	2	1

(8U BACK VIEW)

A25b & A.25b DELIVER CONNECTOR SEPARATELY

DT064S-P012

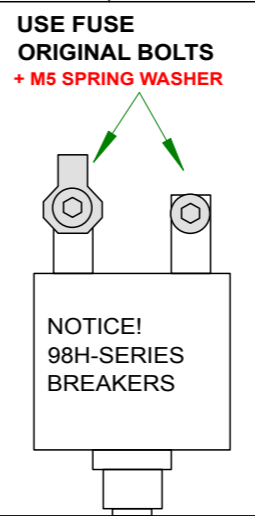
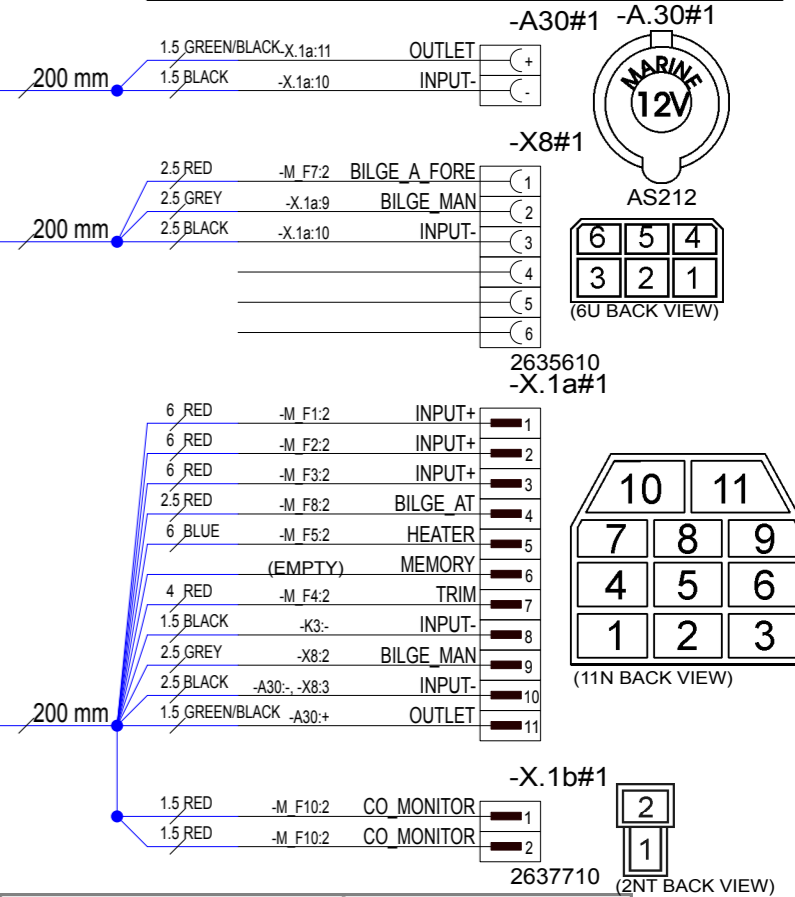
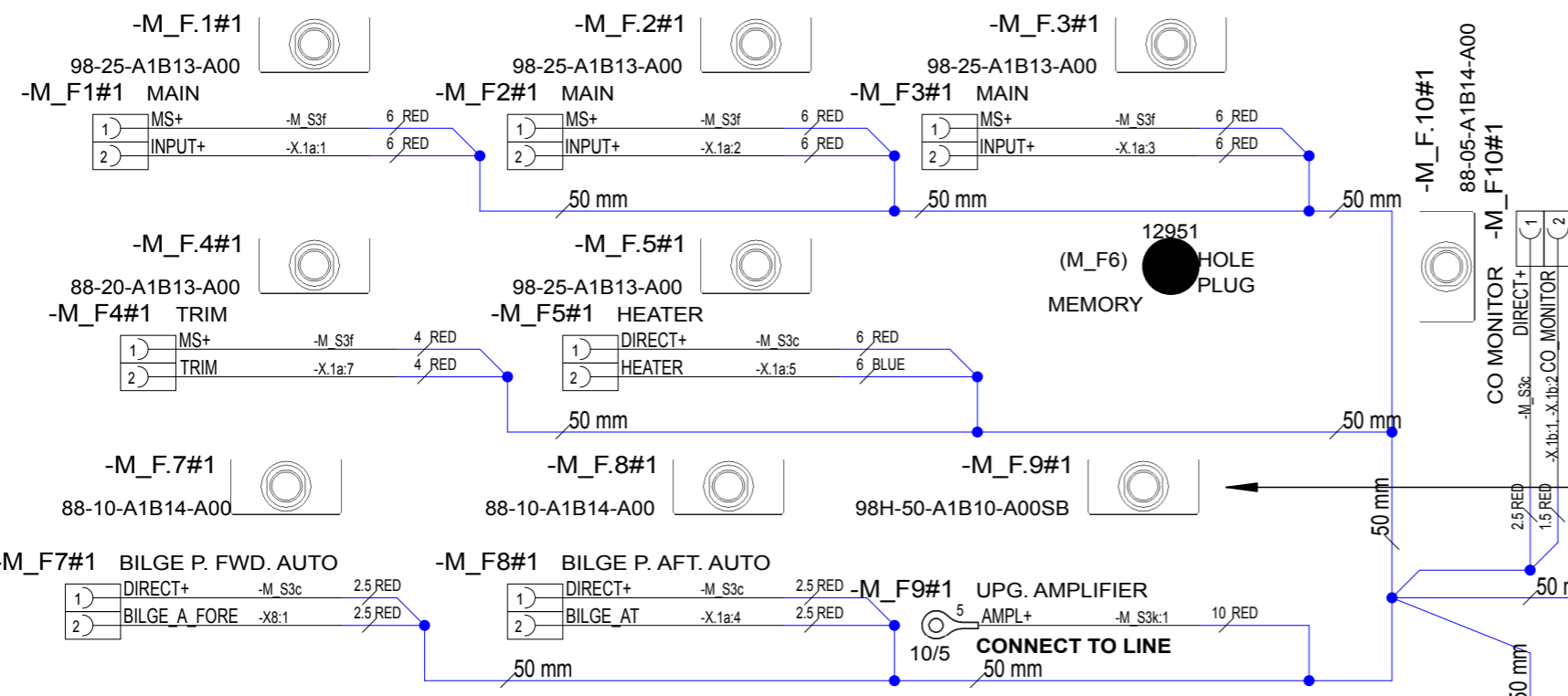
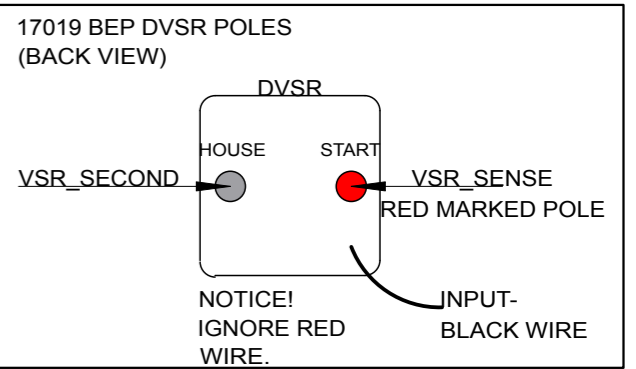
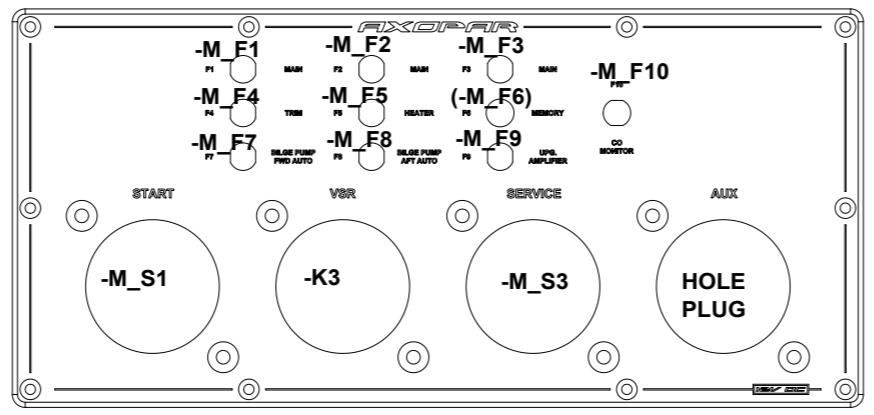
WEDGE LOCK: W4S

DT044P-E004

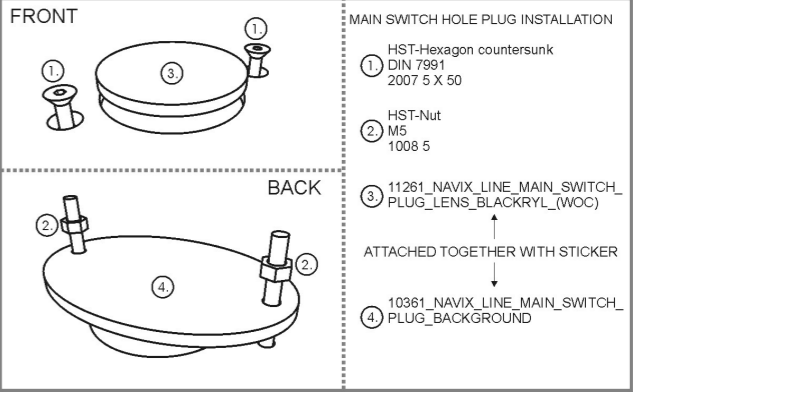
WEDGE LOCK: W4P

29.6.2017	TuM	A1: INTRODUCED DRAWING.	Date	29.6.2017		Axopar		23597	
22.9.2017	VV	B1: NOT MODIFIED.	Drawing by	TuM		Boat		Product code	Project ID
9.11.2017	PN	C1: NOT MODIFIED.	Sheet rev.	1		28 MY18	T-TOP ROOF HARNESS	HL	24 / 42
Date of modification	Modified by	Description	Project rev.	C		Boat model	Title	Loc	Sheet

3760 COPPER BAR ANGLE TYPE
M10x30 BOLT
M10 NUT
M10 SPRING WASHER



MAIN SWITCH HOLE PLUG



29.6.2017	TuM	A1: INTRODUCED DRAWING
22.9.2017	VV	B2: FUSES RENAMED; -M_F.10 CHANGED DD -> 88-SERIES; BATTERY CABLES AND HEATER FUSES ADDED
9.11.2017	PN	C3: HEATER MOVED FROM MS+ TO DIRECT+, -G1h DELIVER SEPARATELY.
Date of modification	Modified by	Description

Date	29.6.2017
Drawing by	TuM
Sheet rev.	3
Project rev.	C



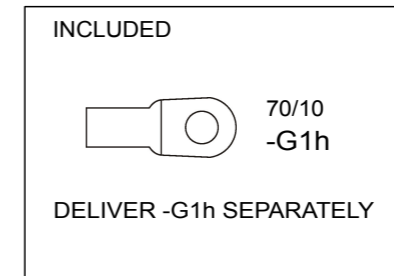
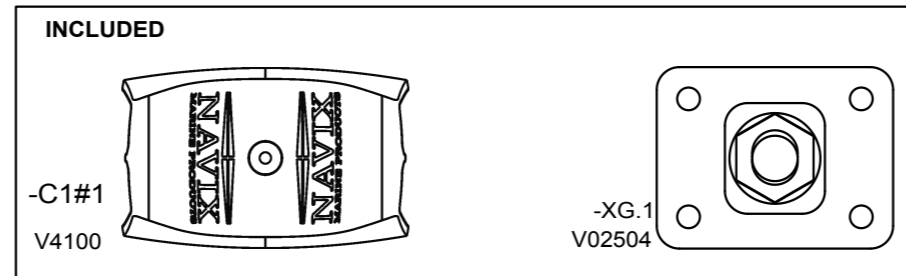
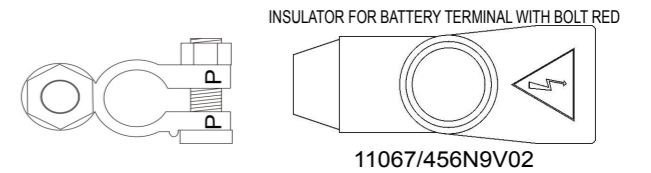
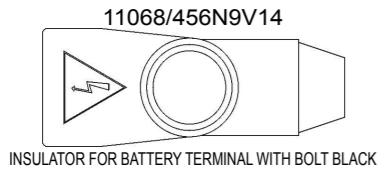
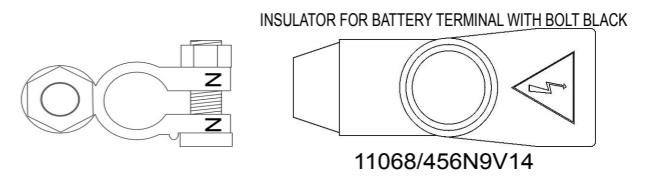
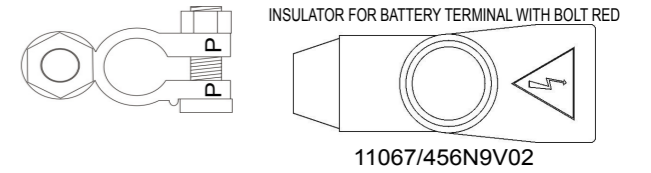
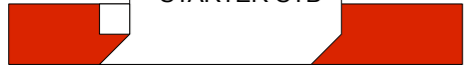
Axopar
Boat
28 MY18
Boat model

23875	23598	Project ID
Sub-product code	Product code	
BATTERY HARNESS		HL
2xBATT. 1xENG.		
Title	Loc	25 / 42
		Sheet

NOTICE! CABLES WITH STICKER

FOR EXAMPLE

EA032
STARTER STB



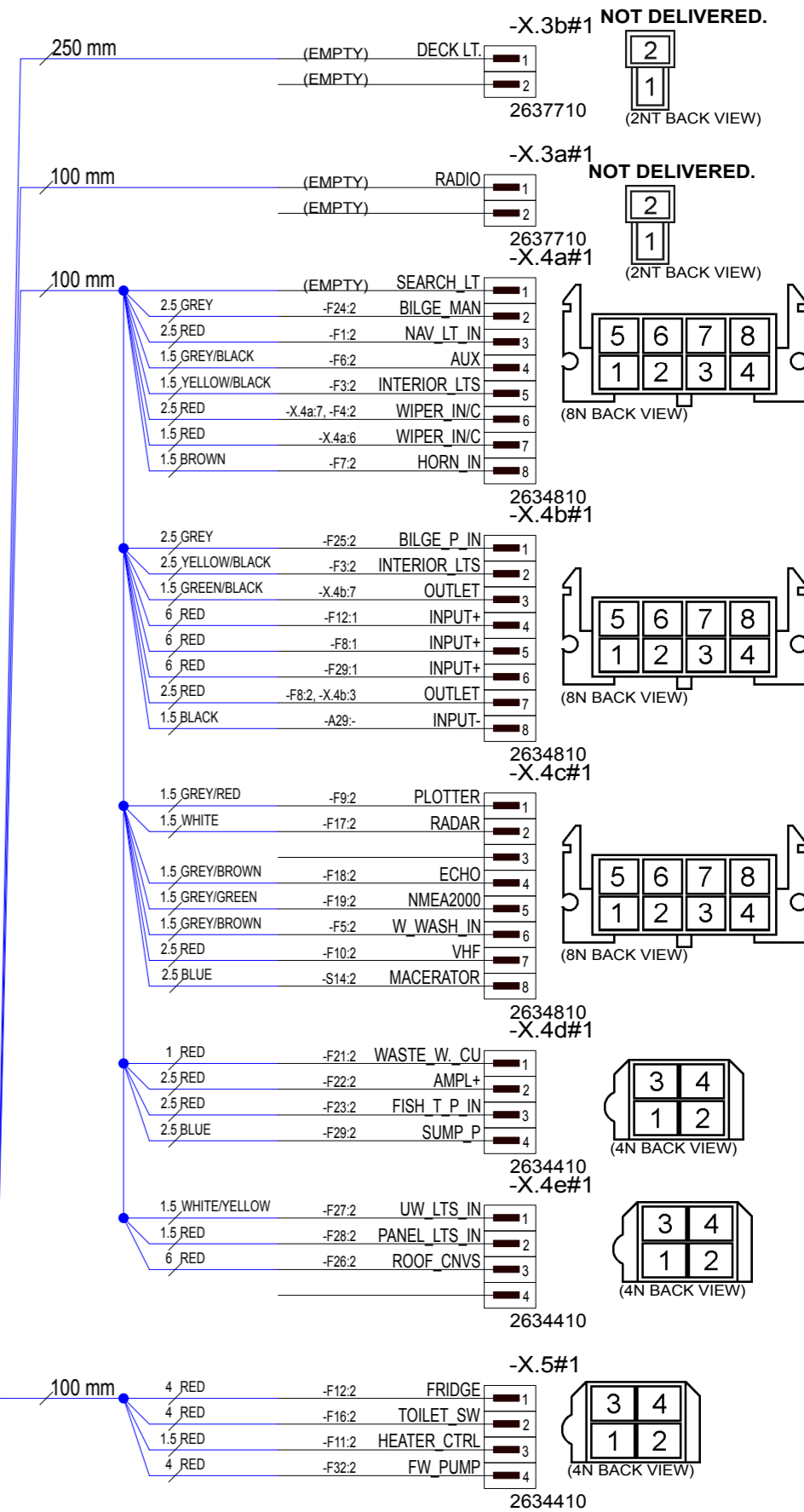
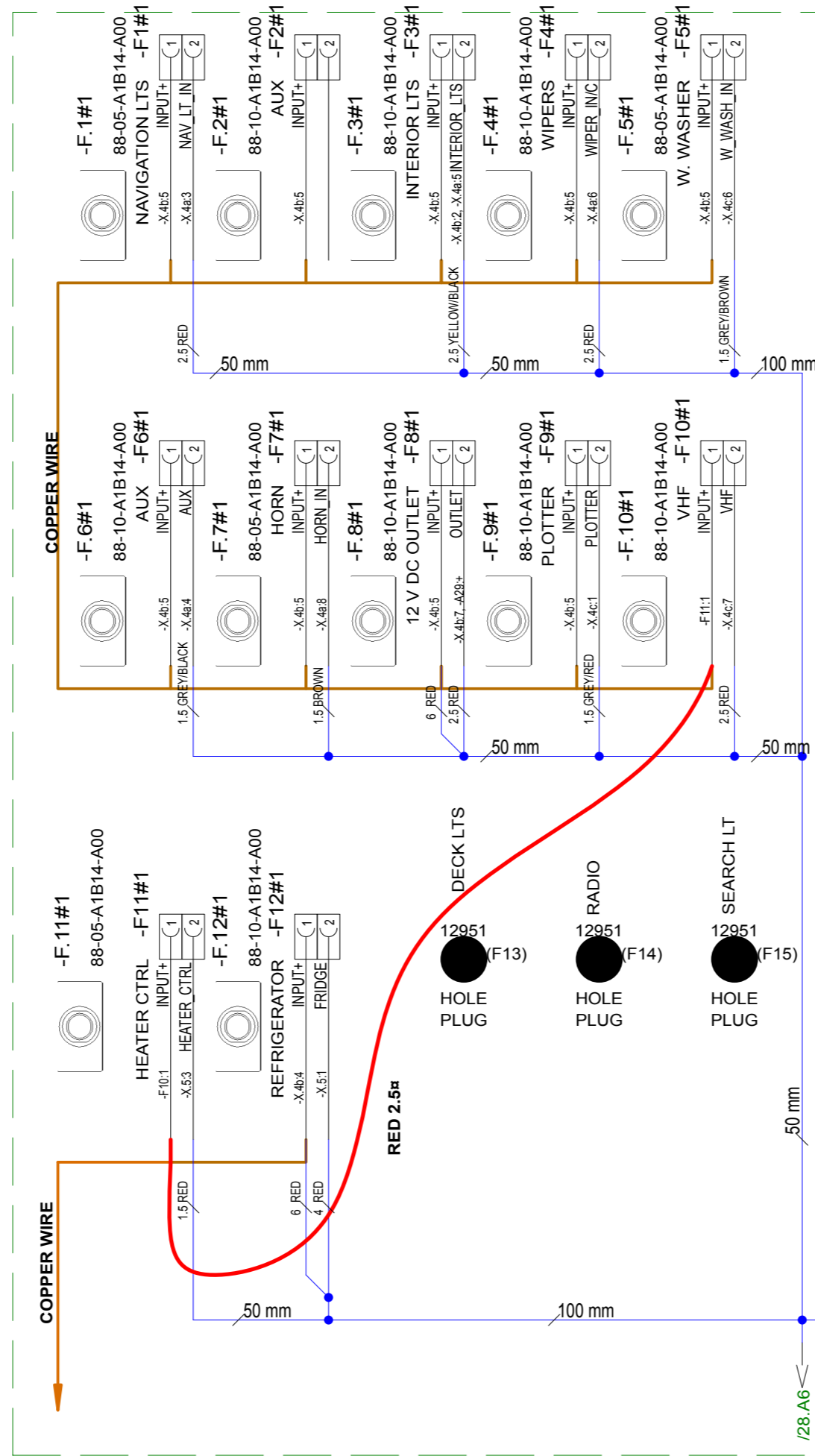
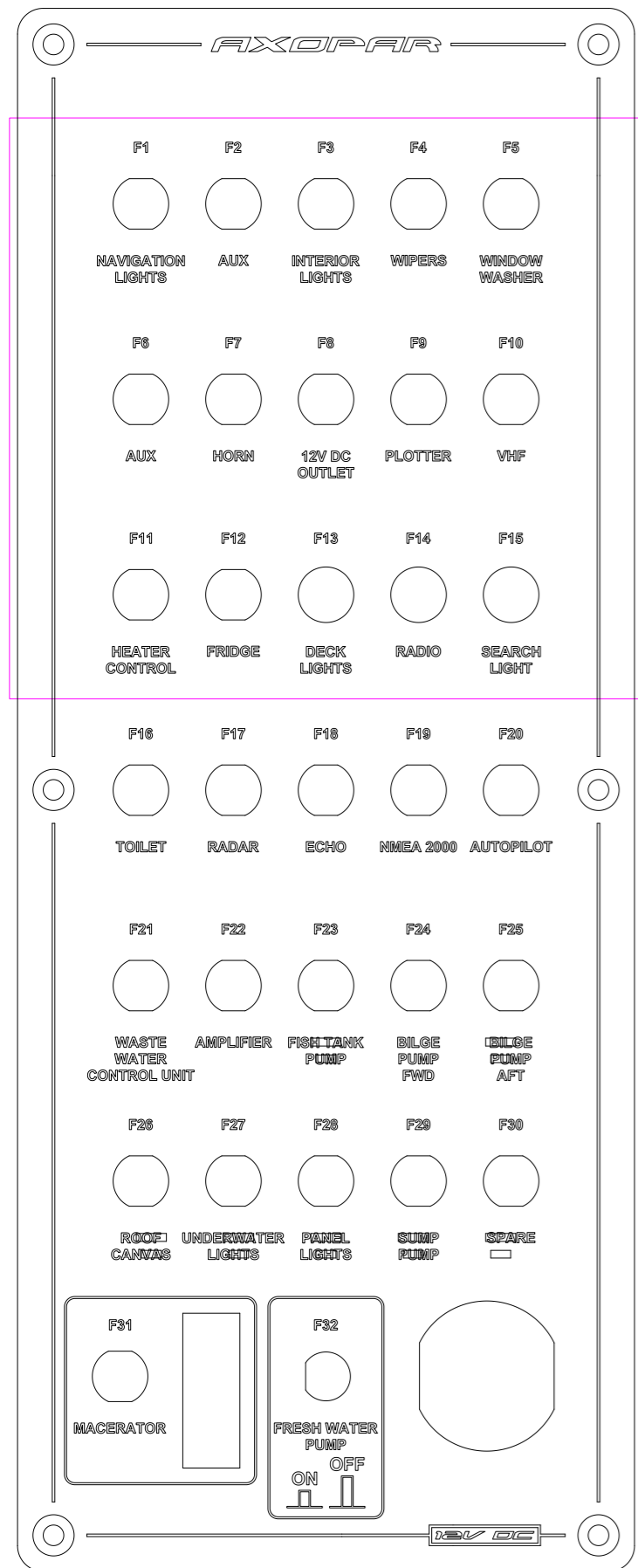
29.6.2017	TuM	A1: INTRODUCED DRAWING
22.9.2017	VV	B2: FUSES RENAMED; -M_F.10 CHANGED DD -> 88-SERIES; BATTERY CABLES AND HEATER FUSES ADDED
9.11.2017	PN	C3: HEATER MOVED FROM MS+ TO DIRECT+, -G1h DELIVER SEPARATELY.
Date of modification	Modified by	Description

Date	29.6.2017
Drawing by	TuM
Sheet rev.	3
Project rev.	C



Axopar	
Boat	28 MY18
Boat model	

23875	23598	
Sub-product code	Product code	Project ID
BATTERY HARNESS		HL
2xBATT. 1xENG.		Loc
		26 / 42
		Sheet



9.11.2017	PN	C4: CHANGED ROOF CANVAS FUSE -F26 TO 20A AND WIRE SIZE TO 6MM2.	Date	29.6.2017
22.9.2017	VV	B2: FUSES RENAMED, REORGANIZED & ADDED; SUMP P. FUSE DD -> 88-SERIES	Drawing by	TuM
24.10.2017	PN	B3: FUSES RENAMED, REORGANIZED.	Sheet rev.	4
Date of modification	Modified by	Description	Project rev.	C

Copyright by NAVIX MARINE PRODUCTS

Axopar

Boat: 28 MY18

Boat model:

23860
Sub-product code

FUSE UNIT

Title:

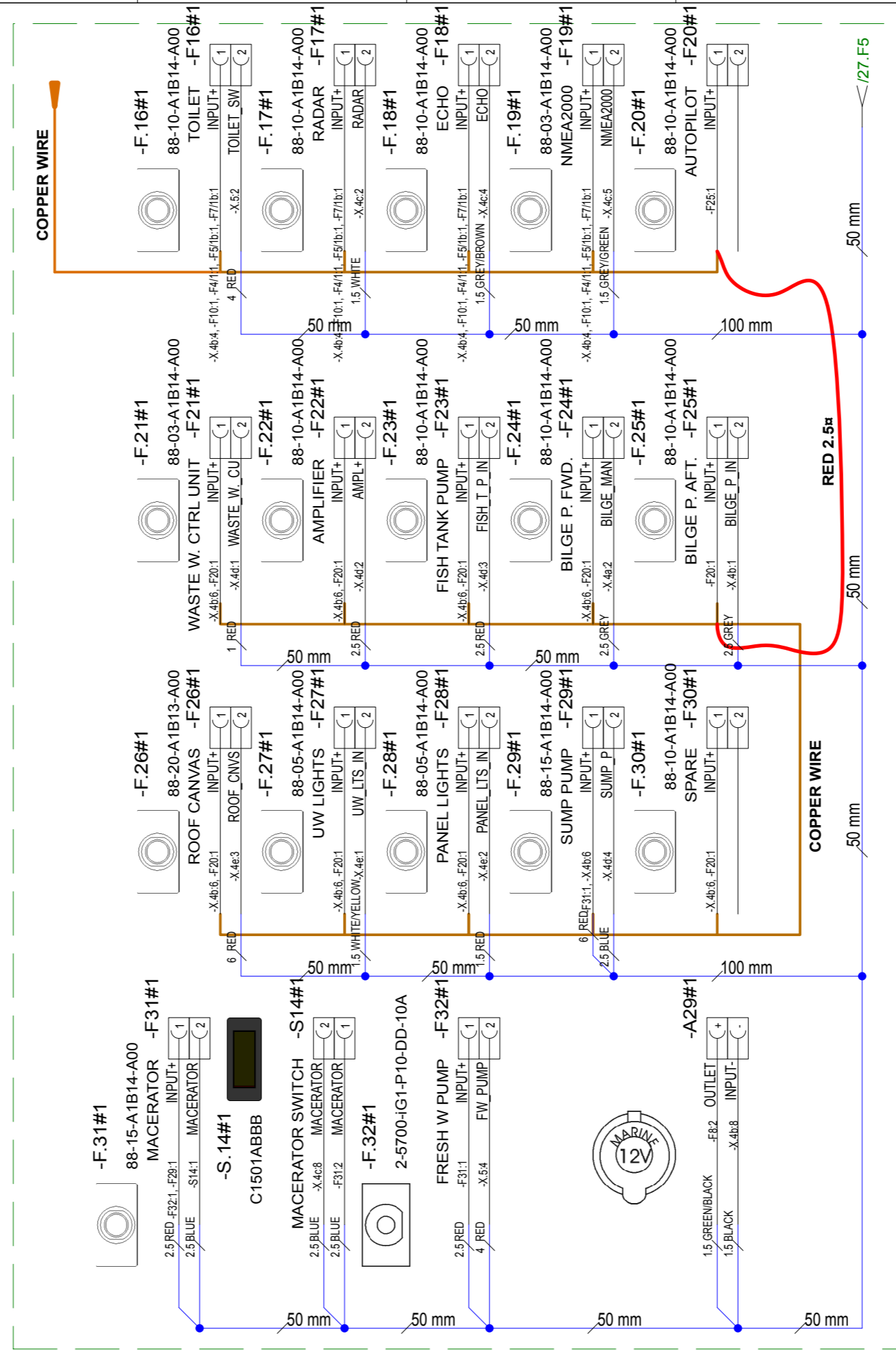
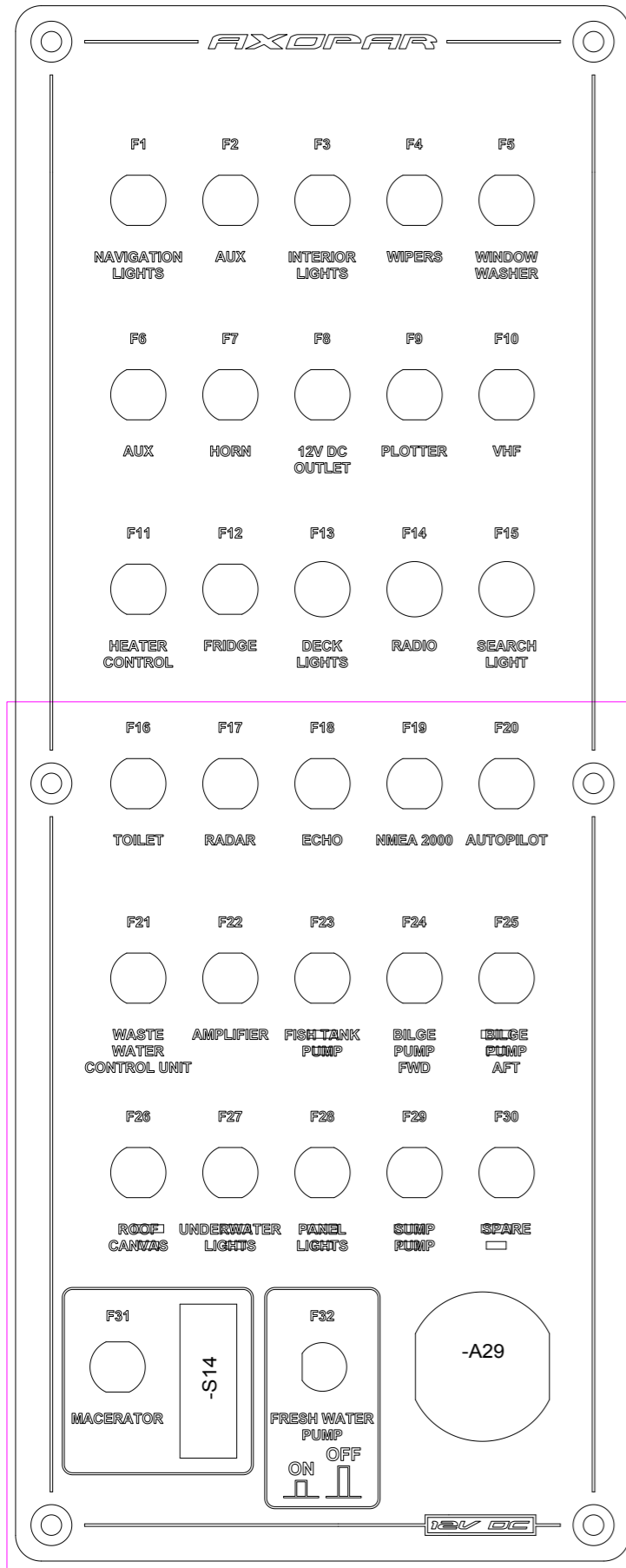
23600
Product code

HL

Loc:

Project ID

27 / 42
Sheet



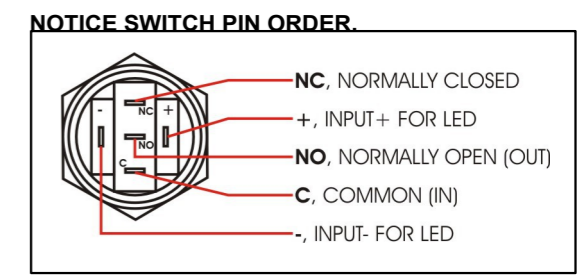
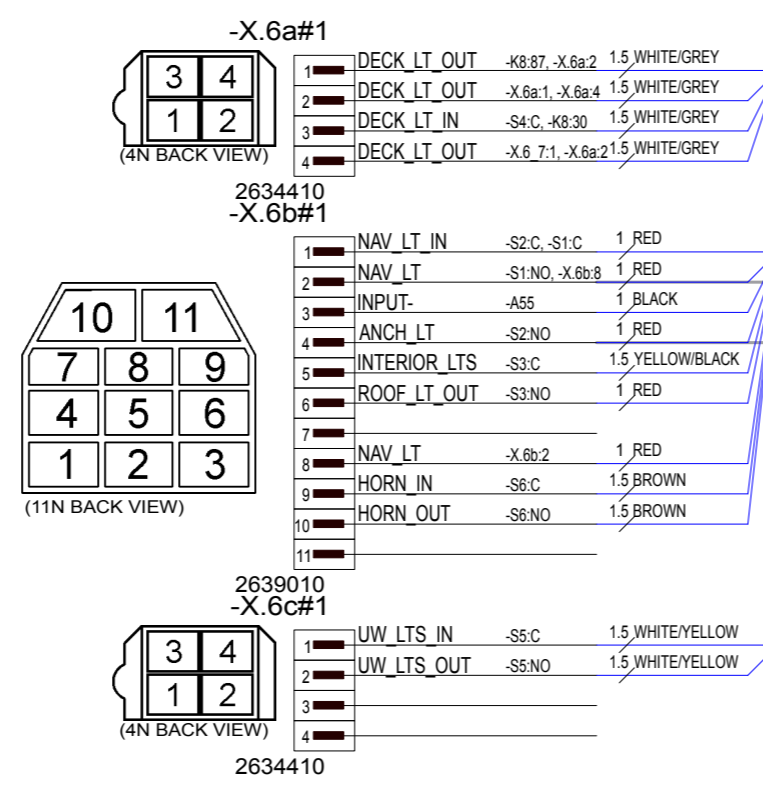
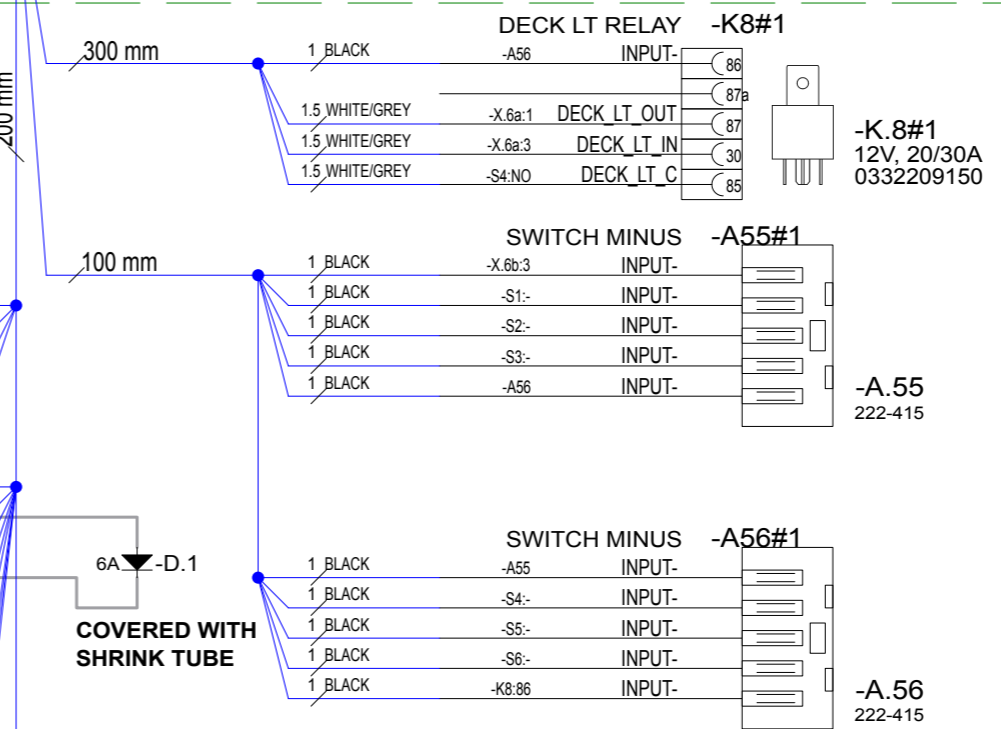
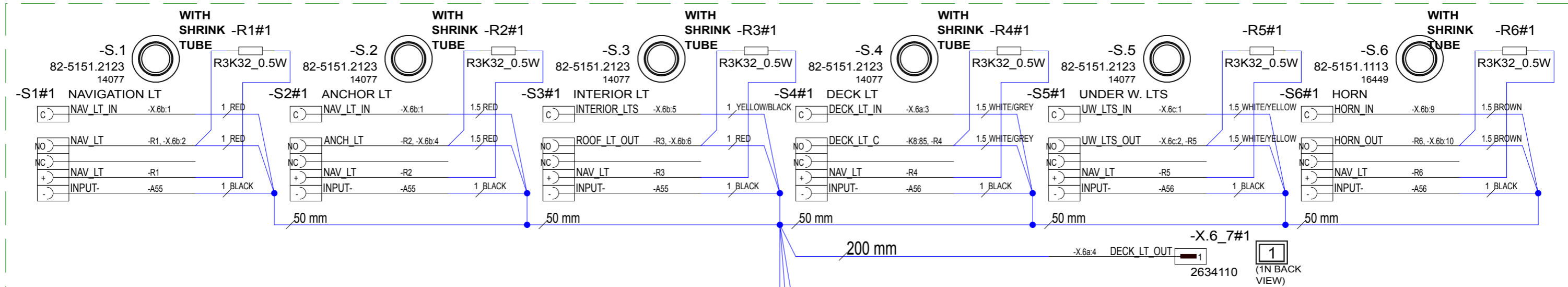
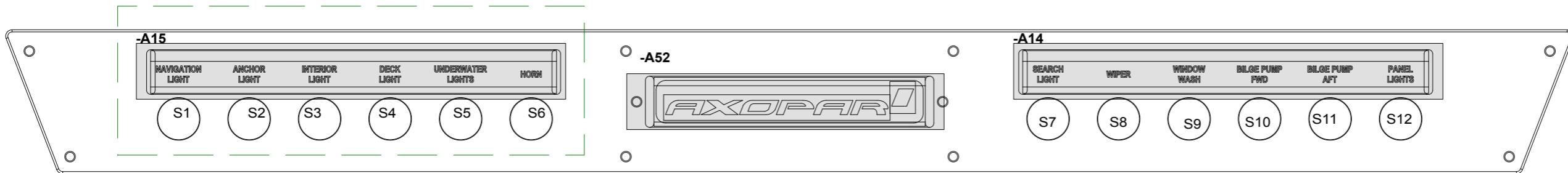
9.11.2017	PN	C4: CHANGED ROOF CANVAS FUSE -F26 TO 20A AND WIRE SIZE TO 6MM2.
22.9.2017	VV	B2: FUSES RENAMED, REORGANIZED & ADDED; SUMP P. FUSE DD -> 88-SERIES
24.10.2017	PN	B3: FUSES RENAMED, REORGANIZED.
Date of modification	Modified by	Description

Date	29.6.2017
Drawing by	TuM
Sheet rev.	4
Project rev.	C

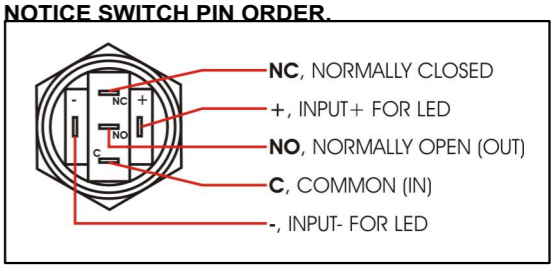
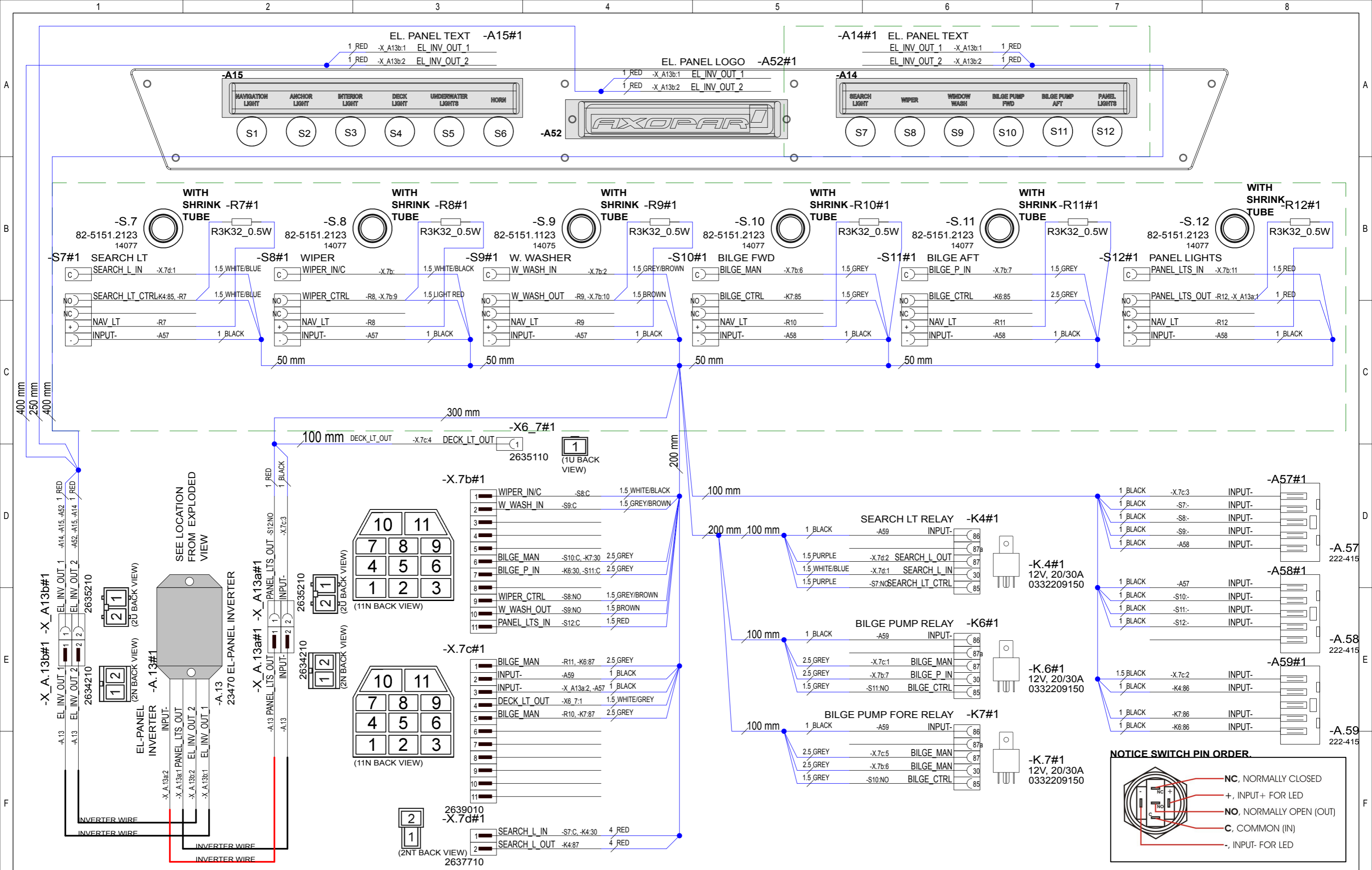


Axopar
Boat
28 MY18
Boat model

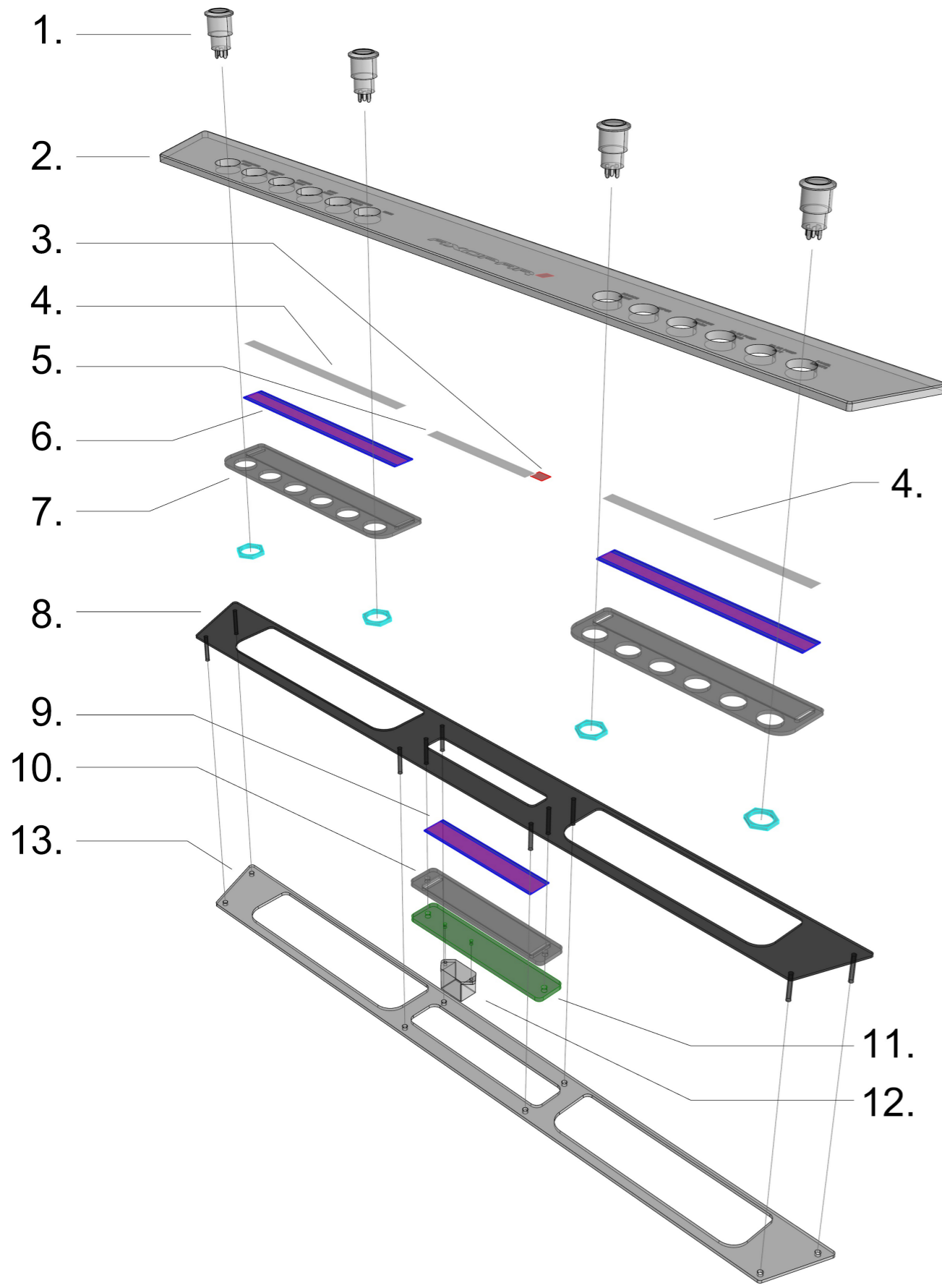
23860	23600	Project ID
Sub-product code	Product code	
FUSE UNIT	HL	28 / 42
Title	Loc	



9.11.2017	PN	C3: NOT MODIFIED.	Date	29.6.2017		Axopar	SEE EXP. VIEW	23601	Project ID
22.9.2017	VV	B2: WIPER CTRL. CHANGED TO ROCA AND WIPER RELAY REMOVED.	Drawing by	TuM		Boat	Sub-product code	Product code	
24.10.2017	PN	B3: WIPER CTRL. CHANGED TO RELAY AND ROCA REMOVED.	Sheet rev.	3		28 MY18	SWITCH PANEL	HL	29 / 42
Date of modification	Modified by	Description	Project rev.	C	Boat model	Title	Loc	Sheet	



9.11.2017	PN	C3: NOT MODIFIED.	Date	29.6.2017		Axopar	SEE EXP. VIEW	23601	Project ID
22.9.2017	VV	B2: WIPER CTRL. CHANGED TO ROCA AND WIPER RELAY REMOVED.	Drawing by	TuM		Boat	Sub-product code	Product code	
24.10.2017	PN	B3: WIPER CTRL. CHANGED TO RELAY AND ROCA REMOVED.	Sheet rev.	3		28 MY18	SWITCH PANEL	HL	
Date of modification	Modified by	Description	Project rev.	C		Boat model	Title	Loc	



23601_AXOPAR_28_SWITCH_PANEL

- 1. 12PCS HALO SWITCH (AS IN DIAGRAM)
- 2. 1PCS 23065_AXOPAR_28_GLASS_SWITCH_PANEL_2018_V1
- 3. 1PCS 23723_AXOPAR_28_SWITCH_PANEL_LOGO_RED_STICKER (PLACE BEHIND THE LOGO AREA IN 23065)
- 4. 2PCS 23724_AXOPAR_28_SWITCH_PANEL_TEXT_WHITE_STICKER (PLACE BEHIND THE TEXT AREAS IN 23065)
- 5. 1PCS 23722_AXOPAR_28_SWITCH_PANEL_LOGO_WHITE_STICKER (PLACE BEHIND THE LOGO AREA IN 23065)

6. 2PCS 23471_EL_STRIP_10mm_WHITE
 CUT 203mm LONG STRIP, PEEL CONTACTS FROM OTHER END FROM 13mm LENGHT.

BEND CONTACTS TO THE BACKSIDE OF 23515 COVER.
 SOLDER WIRES TO CONTACTS AND GLUE CONTACT POINT WITH HOTMELT GLUE TO BACKSIDE OF PANEL.

7. 2PCS 23515_AXOPAR_28_SWITCH_PANEL_HALO_LIGHT_COVER

8 1PCS 23178_AXOPAR_28_METAL_BACK_FRAME_2018
 ATTACH TO 23065 WITH BLACK MS-POLYMER GLUE

9. 1PCS 23472_EL_STRIP_15mm_WHITE
 CUT 130mm LONG STRIP, PEEL CONTACTS FROM OTHER END FROM 13mm LENGHT.

BEND CONTACTS TO THE BACKSIDE OF 23516 COVER.
 SOLDER WIRES TO CONTACTS AND GLUE CONTACT POINT WITH HOTMELT GLUE TO BACKSIDE OF PANEL.

10. 1PCS 23516_AXOPAR_28_SWITCH_PANEL_LOGO_LIGHT_COVER
 ATTACH TO 23178 WITH
 2PCS M4 SPRING WASHER A4
 4PCS M4 BOLT A4

11. 1pcs 23878_AXOPAR_28_SWITCH_PANEL_INVERTER_BRACKET
 ATTACH BEHIND TO 23516 WITH
 2PCS M4 SPRING WASHER A4
 2PCS M4 BOLT A4

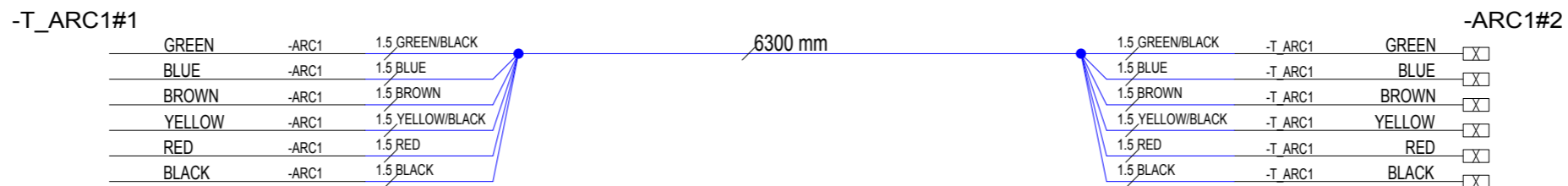
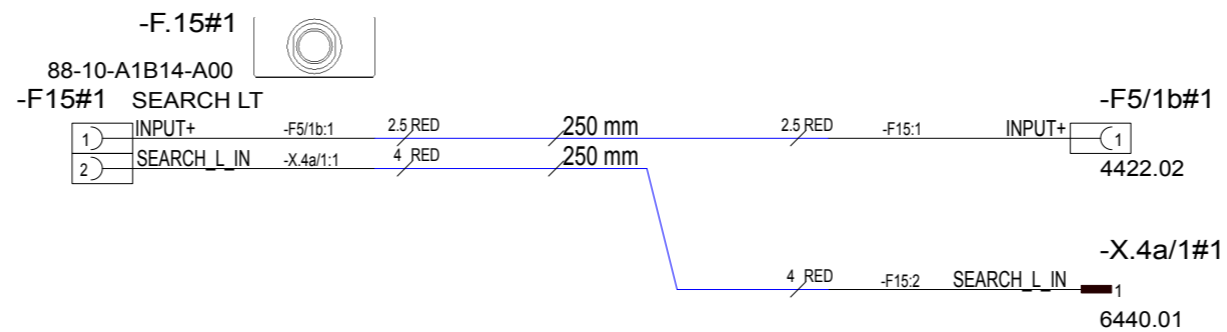
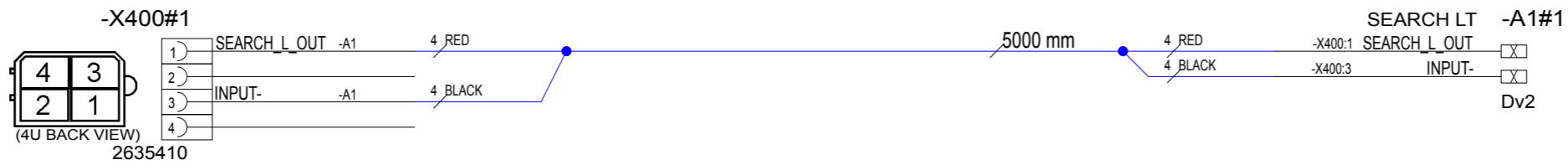
12. 1PCS INVERTER (AS IN DIAGRAM)
 ATTACH TO 23878 WITH
 2PCS M3 X 10 BH HEX BOLT A4
 2PCS M3 SPRING WASHER A4
 2PCS M3 BOLT A4

13. 1PCS 23718_AXOPAR_28_SWITCH_PANEL_GASKET
 GLUE WITH 2-SIDED TAPE TO THE BACKSIDE OF 23178


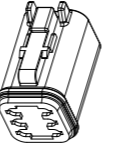
JS 06.07.2017

9.11.2017	PN	C3: NOT MODIFIED.	Date	6.7.2017
22.9.2017	VV	B2: WIPER CTRL. CHANGED TO ROCA AND WIPER RELAY REMOVED.	Drawing by	TuM
24.10.2017	PN	B3: WIPER CTRL. CHANGED TO RELAY AND ROCA REMOVED.	Sheet rev.	3
Date of modification	Modified by	Description	Project rev.	C


	Axopar		SEE EXP. VIEW	23601	Project ID
	Boat	28 MY18	Sub-product code	Product code	
	Boat model		Title	SWITCH PANEL	HL
					Loc

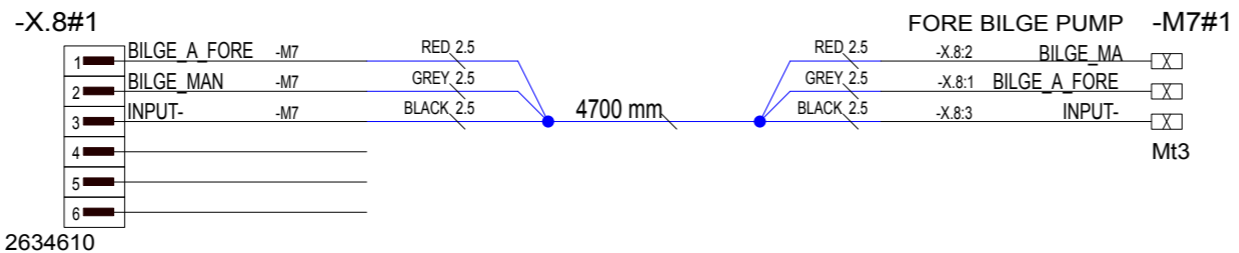
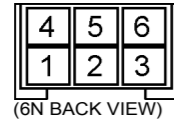
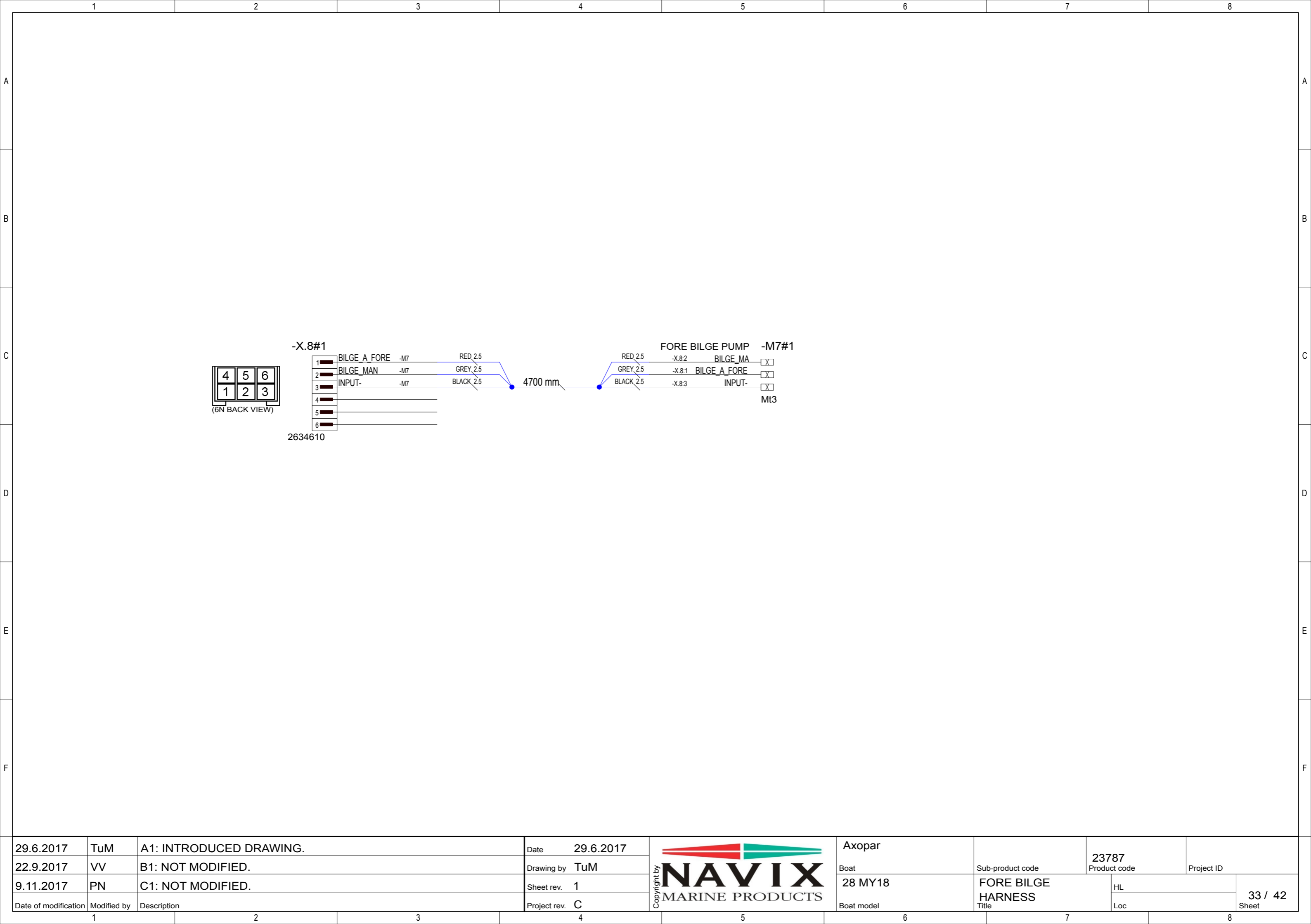


INCLUDED
DELIVER CONNECTORS SEPARATELY


-X405 DT04-6P-E004 14044		-X406 DT06-6S-P012 14046	
+		+	
W6P 14045		W6S-P012 14047	

29.6.2017	TuM	A1: INTRODUCED DRAWING.	Date	29.6.2017
22.9.2017	VV	B2: NAME CHANGED.	Drawing by	TuM
9.11.2017	PN	C3: ADDED -X405, -X406 AND SEARCH LT CONTROL WIRES.	Sheet rev.	3
Date of modification	Modified by	Description	Project rev.	C

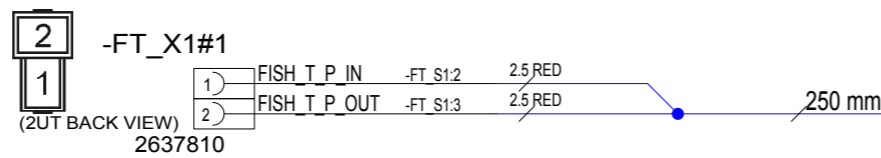
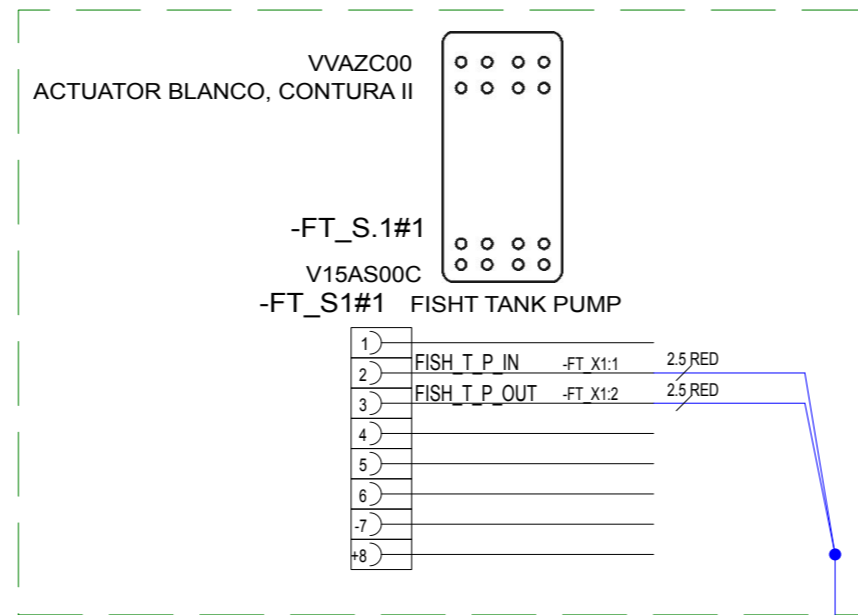
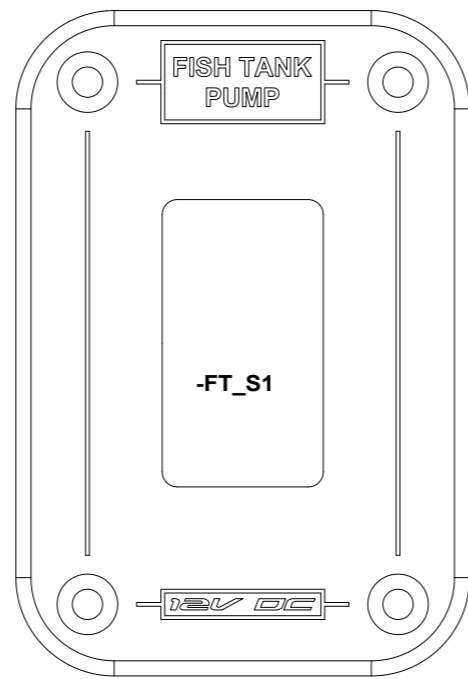
		Axopar		23786	
		Boat	28 Cabin MY18	Sub-product code	Project ID
Boat model		SEARCH LT/ ROOF HARNESS		HL	32 / 42
		Title		Loc	Sheet



29.6.2017	TuM	A1: INTRODUCED DRAWING.	Date	29.6.2017
22.9.2017	VV	B1: NOT MODIFIED.	Drawing by	TuM
9.11.2017	PN	C1: NOT MODIFIED.	Sheet rev.	1
Date of modification	Modified by	Description	Project rev.	C

Copyright by 

Axopar	Boat	28 MY18	Boat model	Sub-product code	FORE BILGE HARNESS	Product code	23787	Project ID	
				Title		HL			33 / 42
						Loc			Sheet



30.6.2017	TuM	A1: INTRODUCED DRAWING.
22.9.2017	VV	B1: NOT MODIFIED.
9.11.2017	PN	C1: NOT MODIFIED.
Date of modification	Modified by	Description

Date	30.6.2017
Drawing by	TuM
Sheet rev.	1
Project rev.	C




Axopar
Boat
28 MY18
Boat model

23863
Sub-product code
FISH TANK PUMP SWITCH PANEL
Title

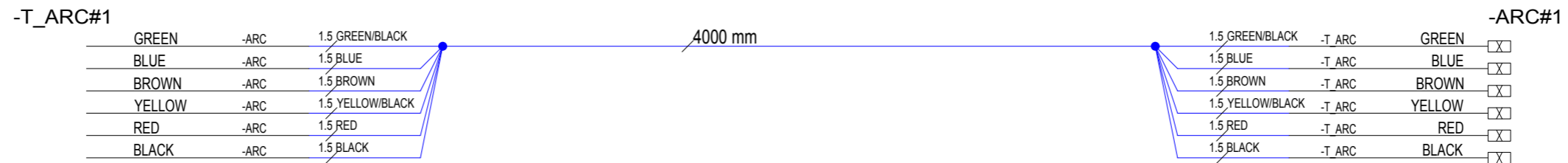
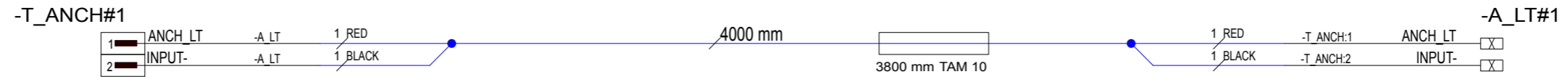
23802
Product code
HL
Loc

Project ID
34 / 42
Sheet

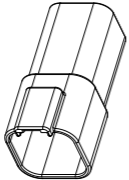
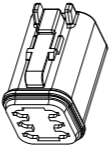
INCLUDED
DELIVER CONNECTOR SEPARATELY



-X402
DT044P-E004
14051
WEDGELOCK : W4P



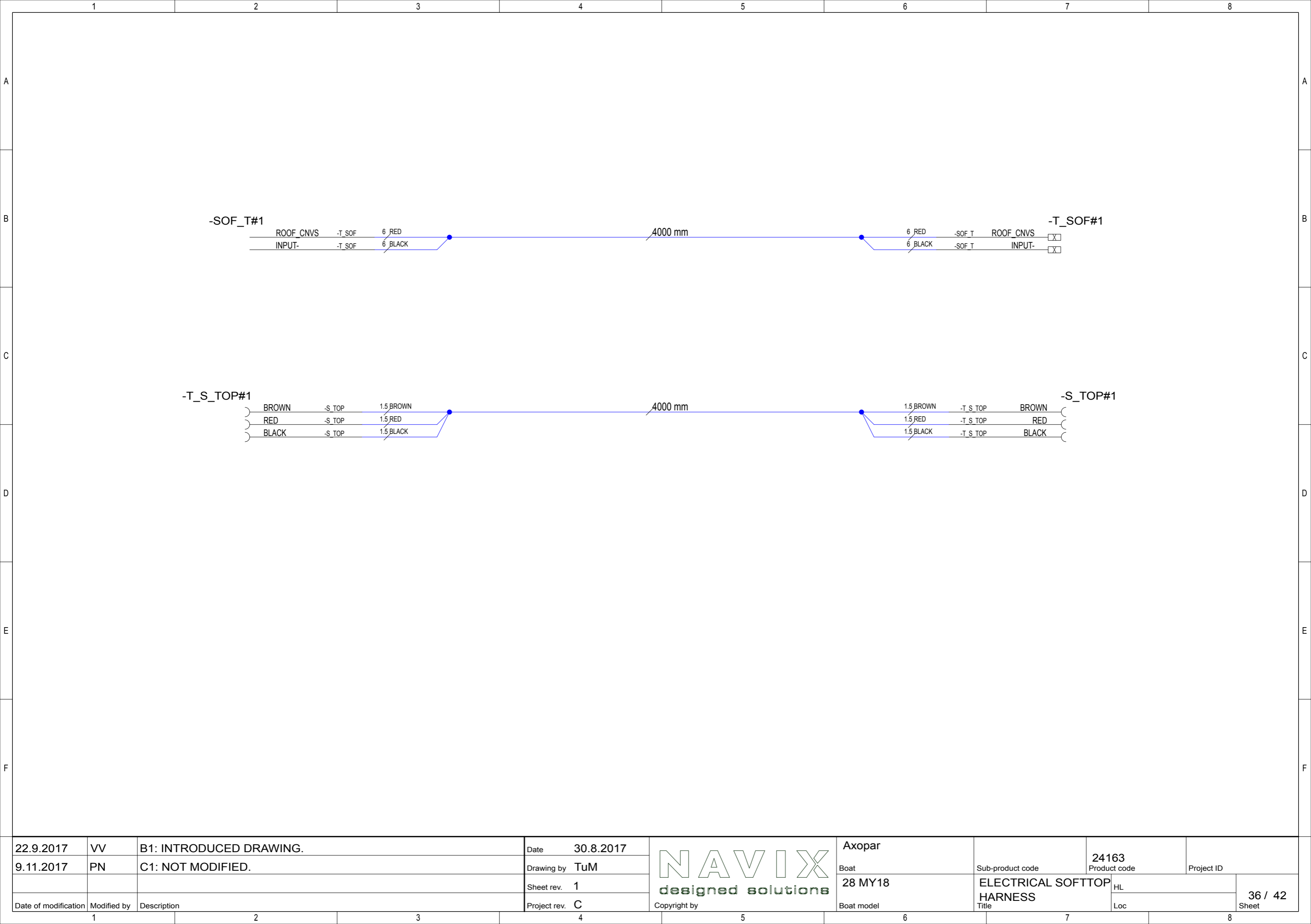
INCLUDED
DELIVER CONNECTORS SEPARATELY

-X403 DT04-6P-E004 14044		-X404 DT06-6S-P012 14046	
+		+	
W6P 14045		W6S-P012 14047	

22.9.2017	VV	B1: INTRODUCED DRAWING.	Date	30.8.2017
9.11.2017	PN	C2: ADDED -X403 AND -X404.	Drawing by	TuM
			Sheet rev.	2
Date of modification	Modified by	Description	Project rev.	C



Axopar		24162	Project ID
Boat	28 MY18	TARGA ARC	HL
Boat model		OPEN HARNESS	Loc
			35 / 42 Sheet

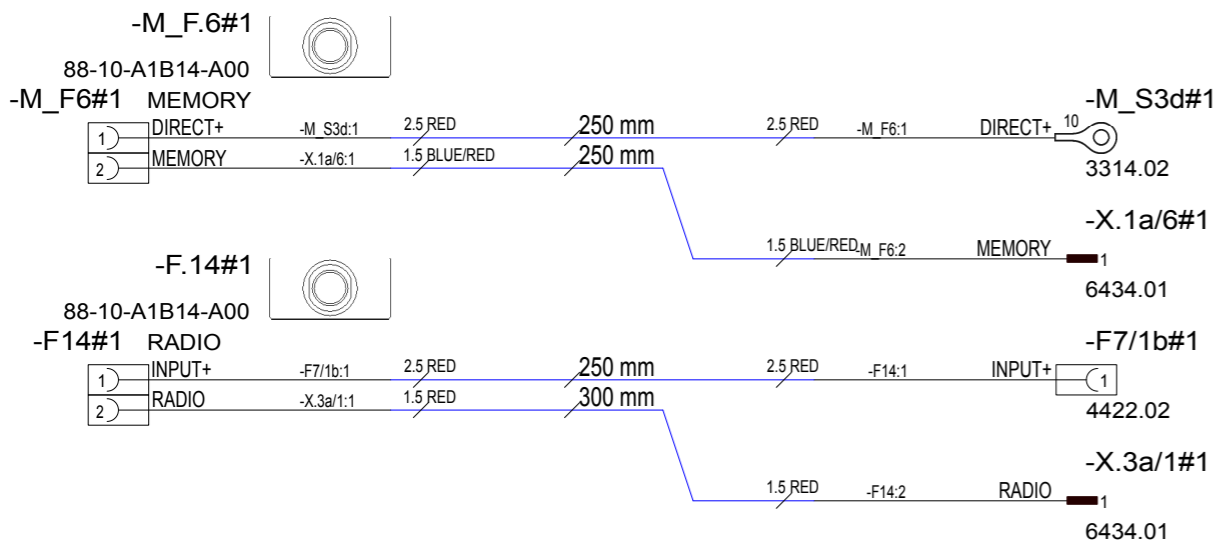
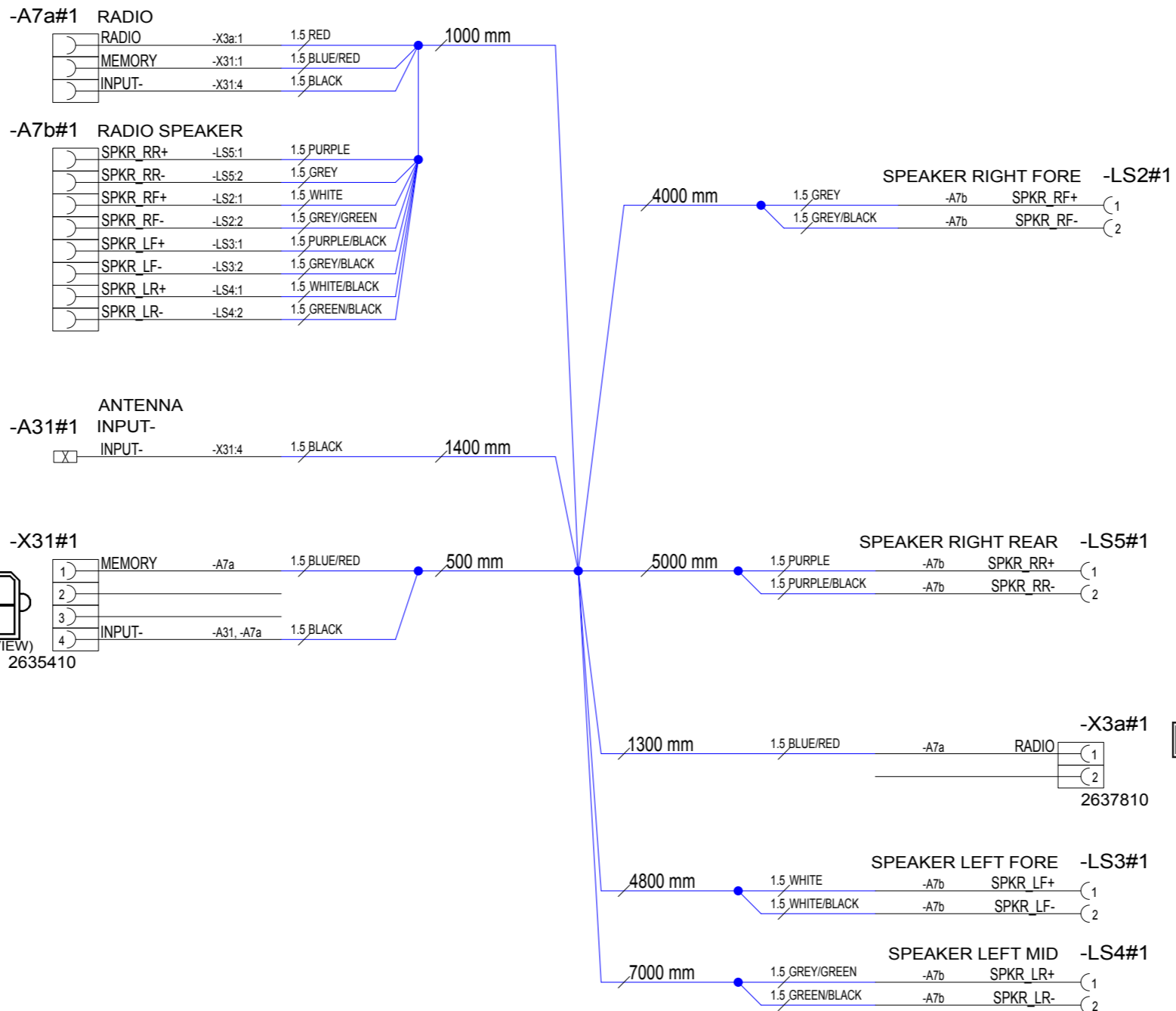
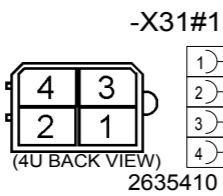
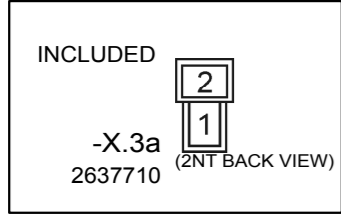


22.9.2017	VV	B1: INTRODUCED DRAWING.
9.11.2017	PN	C1: NOT MODIFIED.
Date of modification	Modified by	Description

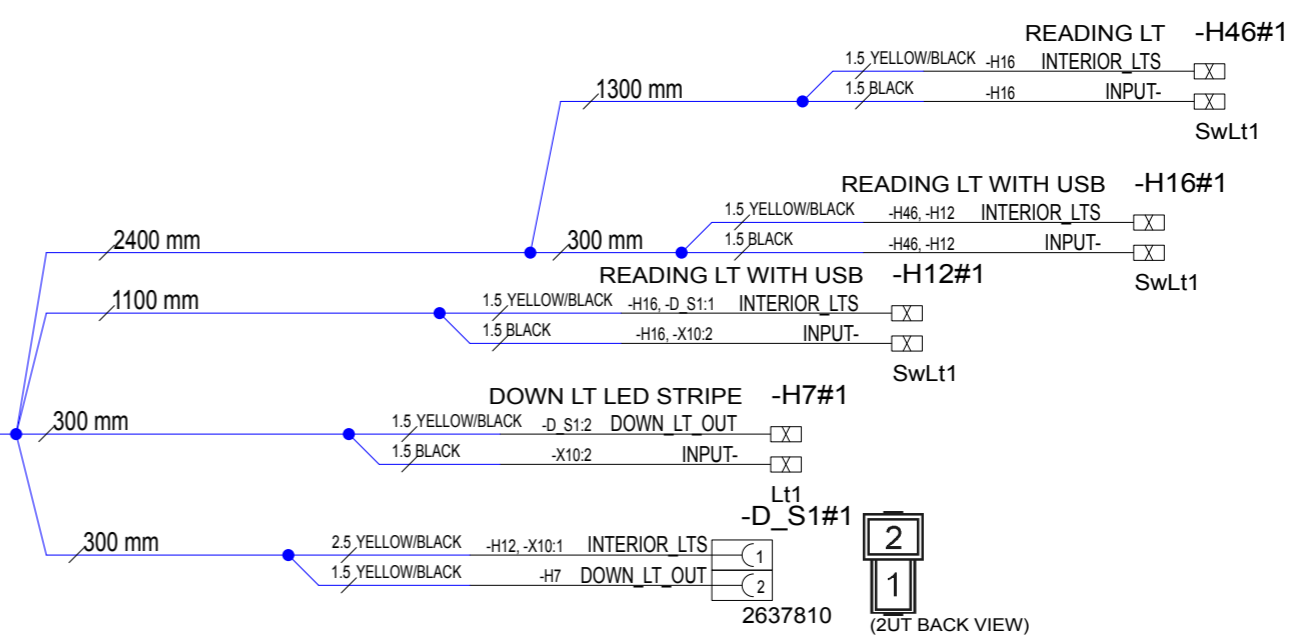
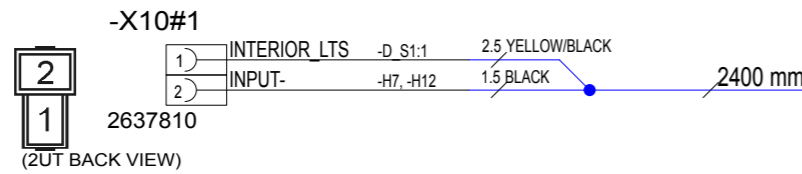
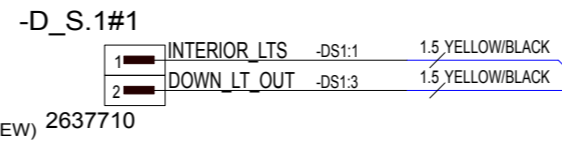
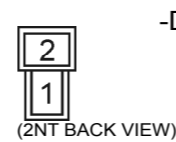
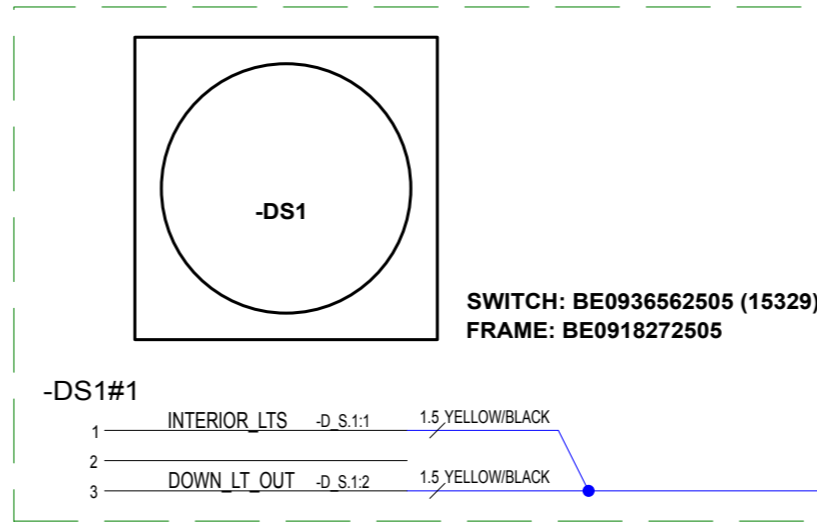
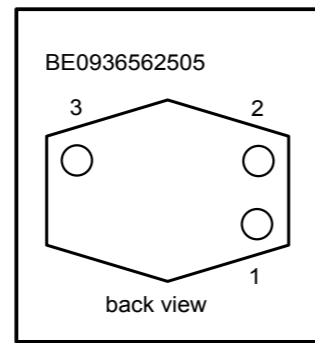
Date	30.8.2017
Drawing by	TuM
Sheet rev.	1
Project rev.	C



Axopar			24163	
Boat	28 MY18	Sub-product code	Product code	Project ID
Boat model		ELECTRICAL SOFTTOP HARNESS	HL	36 / 42
		Title	Loc	Sheet



22.9.2017	VV	B1: INTRODUCED DRAWING.	Date	29.6.2017		Axopar		
9.11.2017	PN	C1: NOT MODIFIED.	Drawing by	TuM		Boat	24166	Project ID
			Sheet rev.	1	28 Cabin MY18	RADIO HARNESS	HL	38 / 42
Date of modification	Modified by	Description	Project rev.	C	Boat model	Title	Loc	



22.9.2017	VV	B1: INTRODUCED DRAWING.	Date	29.6.2017
9.11.2017	PN	C2: ADDED READING LT, CHANGED MEASUREMENTS.	Drawing by	TuM
			Sheet rev.	2
Date of modification	Modified by	Description	Project rev.	C

Copyright by **NAVIX** MARINE PRODUCTS

Axopar

Boat 28 MY18

Boat model

Sub-product code

24173

Product code

AFT CABIN HARNESS

Title

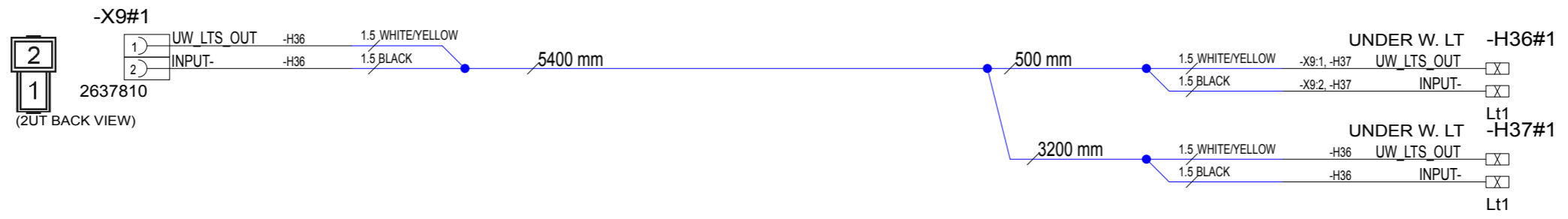
Project ID

HL

Loc

39 / 42

Sheet

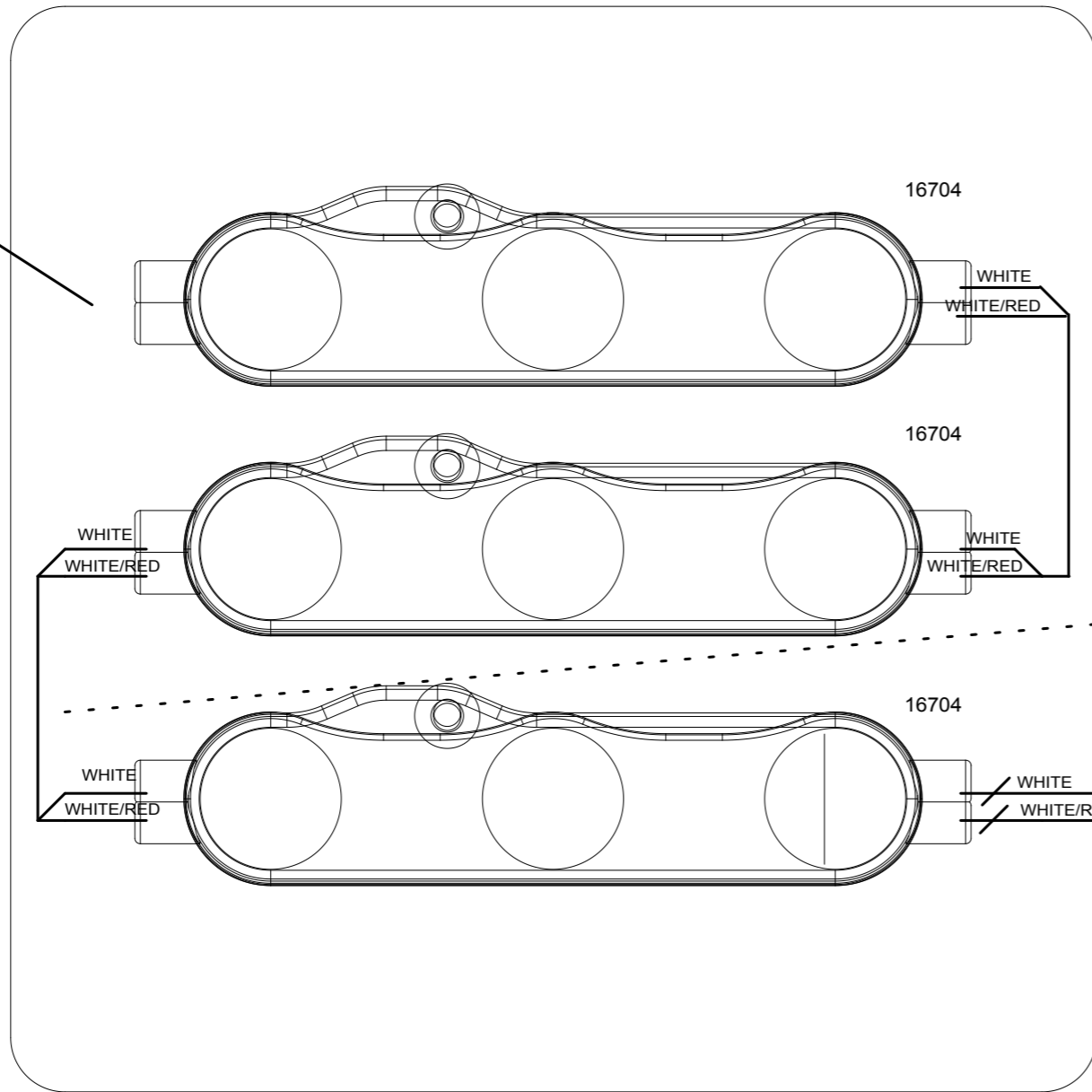


22.9.2017	VV	B1: INTRODUCED DRAWING.	Date	29.8.2017
9.11.2017	PN	C2: CHANGED UNDER W.LT. WIRE MEASUREMENT.	Drawing by	TuM
			Sheet rev.	2
Date of modification	Modified by	Description	Project rev.	C

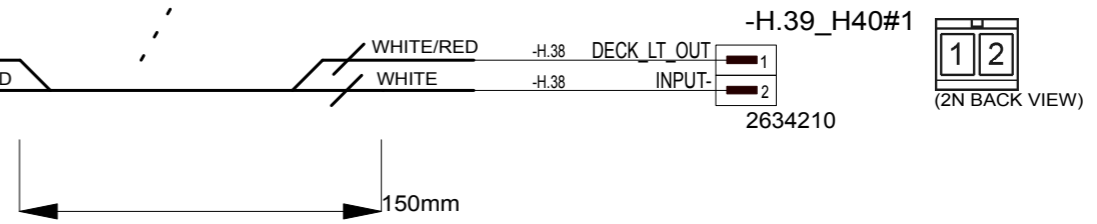


Axopar			24174	
Boat	Sub-product code		Product code	Project ID
28 MY18	UW. LT. HARNESS		HL	40 / 42
Boat model	Title		Loc	Sheet

CUT EXCESS WIRE AWAY FROM THIS END



WIRING INCLUDED IN LED MODULE 16704



31.1.2018	PF	C1: INTRODUCED DRAWING
Date of modification	Modified by	Description

Date	31.1.2018
Drawing by	PF
Sheet rev.	1
Project rev.	C

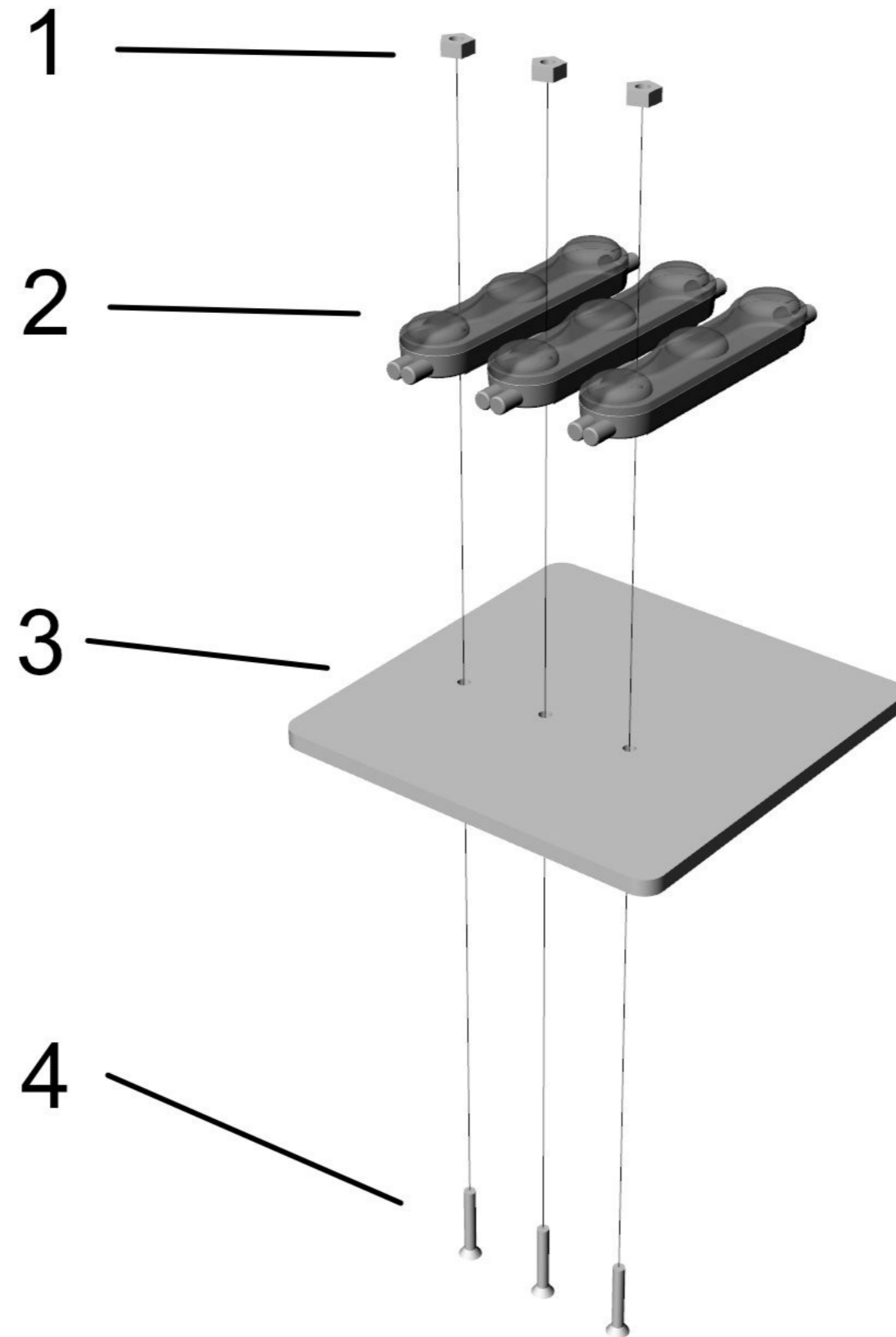


Axopar
Boat
28 MY18
Boat model

25779
Sub-product code
CABIN LOGO
ILLUMINATION UNIT
Title

24398
Product code
HL
Loc

Project ID
41/ 42
Sheet




24398_AXOPAR_28_CABIN_LOGO_ILLUMINATION_UNIT_(WOC)_ASSEMBLY_V2

1. 3x M3 NUT A4

2. 3x 16704 TL3-W65K LED-MODUULI VALK

3. 25779_AXOPAR_28_CABIN_LOGO_ILLUMINATION_UNIT_PLATE_(WOC)

4. 3x M3 X 20 BOLT A4

31.1.2018		C1: INTRODUCED DRAWING	Date 31.1.2018		Axopar	25779	24398	
			Drawing by PF		Boat	Sub-product code	Product code	Project ID
			Sheet rev. 1		28 MY18	CABIN LOGO ILLUMINATION UNIT	HL	42 / 42
Date of modification	Modified by	Description	Project rev. C	Copyright by	Boat model	Title	Loc	Sheet

12 Appendix IV: Warning label placement

13 Appendix V: AIS Decontamination – North America

According to

ABYC T-32 Design and Construction in Consideration of Aquatic Invasive Species 7/21

© 2021 American Boat & Yacht Council, Inc

Table of Contents

1 Decontamination criteria based on UMPS III, Table 3.....	3
2 Example of AIS Owner's Manual Information.....	4
3 Additional boat-specific recommendations.....	6

1 Decontamination criteria based on UMPS III, Table 3

The table is a summary of scientific research indicating the lethal water temperature at point of contact and duration for decontamination. Information is grouped by the location of the boat that is targeted and the life form of Dreissenid mussel targeted (e.g., adult mussel or veliger). Please refer to the *Student Training Curriculum for Watercraft Inspectors and Decontaminators to Prevent and Contain the Spread of Aquatic Invasive Species in the USA* for complete step by step procedures.

	Boat part/ location	Water temperature	Duration ¹⁾ (sec)	Type of application	Target life stage
Exterior	Hull	140°F	10	High pressure spray ²⁾	Adult
	Trailer	140°F	70	Low pressure spray ³⁾	Adult
	PFDs, anchor, paddle	140°F	10	Low pressure spray	Adult or Veliger
Propulsion system	Gimbal	140°F	132	Low pressure spray	Adult
	Engine	140°F ^{5), 6)}	See note ⁷⁾ .	Flush ⁶⁾	Veliger
Interior	Ballast tanks	120°F	130	Low risk – Flush ⁴⁾	Veliger
				High risk – Fill and flush	
	Live well/bait well	120°F	130	Low pressure spray or flush	Veliger
	Bilge	120°F	130	Flush or low pressure spray	Veliger

1) The times listed are the minimum times necessary to achieve mortality.

2) High pressure = 3000 psi.

3) Low pressure = using the pressure from the decontamination unit with no nozzle, not to exceed 60 psi (essentially a garden hose flow).

4) Flush = adding water to a compartment of a boat to treat or force the water out.

5) These temperatures denote the exit temperature (i.e., temperature of water exiting the boat not exiting the wand or flush attachment).

6) When flushing engines with a dedicated connection (not mufflers), the pressure should be limited to less than 60 psi to prevent internal engine damage. The maximum input temperature during flushing should not exceed 140°F.

7) *NOTE: Engine flushing relies on the exit temperature as a guideline for decontamination duration.*

2 Example of AIS Owner's Manual Information

Aquatic invasive species

Aquatic invasive species (AIS) are plants and animals that occur in waters in which they are not native and whose introduction causes or is likely to cause economic or environmental damage or harm to human health. AIS have a negative impact on the waterway, its native species, and recreational and commercial uses of the waterway.

As responsible boaters and citizens, each boat owner should do their part to prevent the spread of these aquatic hitchhikers. In many cases, it is also required by law. Check local regulations for any waterway where you will boat.

After each boating trip, follow these three simple steps before you leave the water access to stop the spread of AIS: Clean, Drain, and Dry. This is the boater's way to help protect the environment from the damage that AIS can cause.



Clean

Inspect and remove all aquatic plants, animals, mud, and debris from the boat, engine, trailer, anchor, and any watersports equipment.

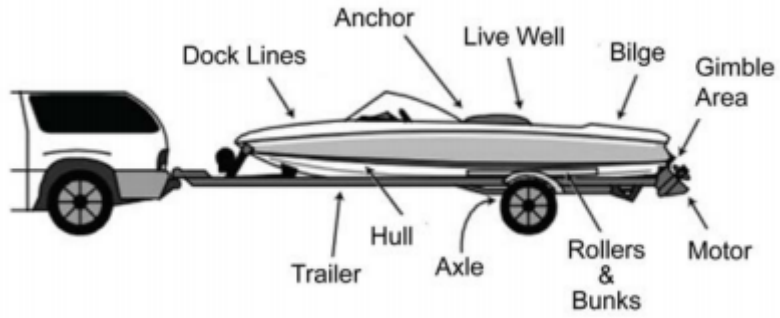
- Rinse, scrub or wash, as appropriate, away from storm drains, ditches, or waterways.
- Rinse watercraft, trailer, and equipment with hot water, when possible.
- Flush motor according to owner's manual.

Drain

Completely drain all water from the boat and its compartments, including but not limited to the bilge, wells, lockers, ballast tanks or bags, bait containers, engines, and outdrives.

Dry

Allow the boat to completely dry before visiting any other bodies of water.



NOTE: Some localities may require inspection or decontamination before and/or after launching. Check state and local laws and regulations for requirements prior to traveling to go boating.

3 Additional boat-specific recommendations

Nonmotorized watercraft

Canoes, rafts, kayaks, rowboats, paddleboats, inflatables, sculls, and other nonmotorized recreational watercraft also require proper treatment.

- **Clean** straps, gear, paddles, floats, ropes, anchors, dip nets, and trailer before leaving the water body.
- **Dry** everything completely between each use and before storing.
- **Wear** quick-dry footwear or bring a second pair of footwear with you when portaging between waterbodies.

Sailboats

- **Clean** centerboard, bilge board, wells, rudderpost, trailer, and other equipment before leaving the water body.
- **Drain** water from boat, motor, bilge, ballast, wells, and portable bait containers before leaving the water body.

Motorized watercraft

- **Inspect** and **clean** motor or engine, including the gimbal area; trailer, including axles, bunkers, and rollers; anchors; dock lines; and equipment before leaving the water body.
- **Drain** live wells, bait containers, ballast and bilge tanks, and engine cooling systems.

Jet boats and personal watercraft (PWCs)

- **Inspect** and **clean** hull, trailer, intake grate, and steering nozzle, etc.
- **Clean** hull, trailer, intake grate, and steering nozzle, etc before leaving the water access.
- **Run** engine 5-10 sec to blow out excess water and vegetation from internal drive before leaving the waterbody.